

ViaWorks 3/4" Thermostatic Valve with Trim Adapter



SHOWN IN VIAWORKS 3/4" THERMOSTATIC VALVE WITH TRIM ADAPTER | GUTH38

TECHNICAL DETAILS

Fittings Hole Diameter: 5 1/4"
Inlet Connection Size: 3/4"
Inlet Connection Type: Female NPT
Outlet Connection Size: 3/4"
Outlet Connection Type: Female NPT
Primary Material: Brass
Valve Material: Bi-metal Strip
Water Pressure Maximum: 85.0 psi
Water Pressure Minimum: 20.0 psi
Water Pressure Recommended: 45.0 psi

INSPIRATION

The ViaWorks collection encompasses all Waterworks valves, which are just as impeccably engineered as our legendary fittings and the finest the industry has to offer in terms of performance, features and functionality. ViaWorks valves are engineered with more than three generations of bath and kitchen expertise, each with installers and lifelong service in mind.

CODES & STANDARDS

ASME A112.18.1/CSA B125.1, Complies with ASSE 1016/ASME A112.1016/CSA B125.16, State of MA

PRODUCT FEATURES

Integrated anti-scald protection.

3/4" inlet and outlet connections.

16 gpm (gallons per minute) unrestricted maximum flow at 60 psi

Unique flush plate to clear construction debris before thermostatic cartridge is installed

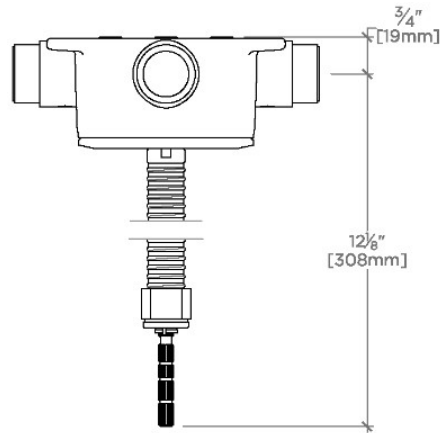
Made in Europe of Brass Construction

CERTIFICATIONS



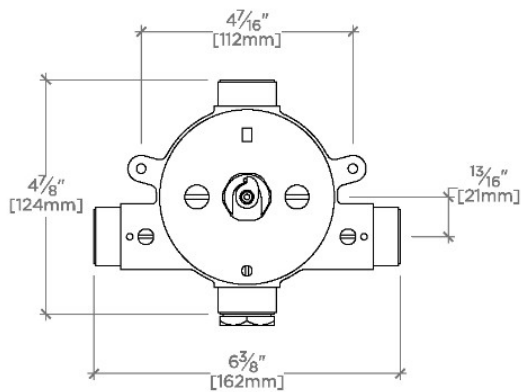
PRODUCT (NOTES)

ViaWorks 3/4" Thermostatic Valve with Trim Adapter



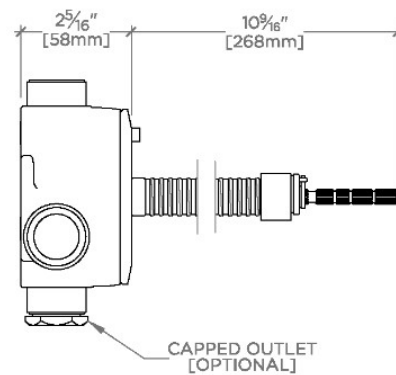
TOP VIEW

SCALE: 3"=1'-0"



FRONT VIEW

SCALE: 3"=1'-0"



SIDE VIEW

SCALE: 3"=1'-0"