

PULLMAN

100737

Pullman Double Vanity with Tapered Legs and Hardware 66"
x 22" x 33 1/4"



SHOWN IN PULLMAN DOUBLE VANITY WITH TAPERED LEGS AND HARDWARE 66" X 22" X 33 1/4" | 100737

TECHNICAL DETAILS

ADA Compliance: No
Adjustable Levelers Feet: N
Bowl Shape: Oval
Depth To Overflow: 4 1/2"
Drain Hole Depth: 1 3/4"
Drain Hole Diameter: 1 3/4"
Fittings Hole Depth: 1 1/4"
Fittings Hole Diameter: 1 3/8"
Overflow Opening: Yes
Primary Material: Wood
Sink Visibility: N

INSPIRATION

A custom, layered look that transcends eras. Our exclusive design references iconic campaign furniture & Regency forms, with hand-applied metalwork & integrated hardware.

CODES & STANDARDS

PRODUCT FEATURES

Designed by and exclusive to Waterworks

Vanity with three drawers and Integrated Hardware; specify Brass or Nickel when ordering

Stocked in Clear Oak, Antique Walnut Finish or Factory Finished in Chalk, Driftwood, Midnight, Steel, Franklin Gray, or Whisper

Available with sink and slab top: use PLVN12

CERTIFICATIONS

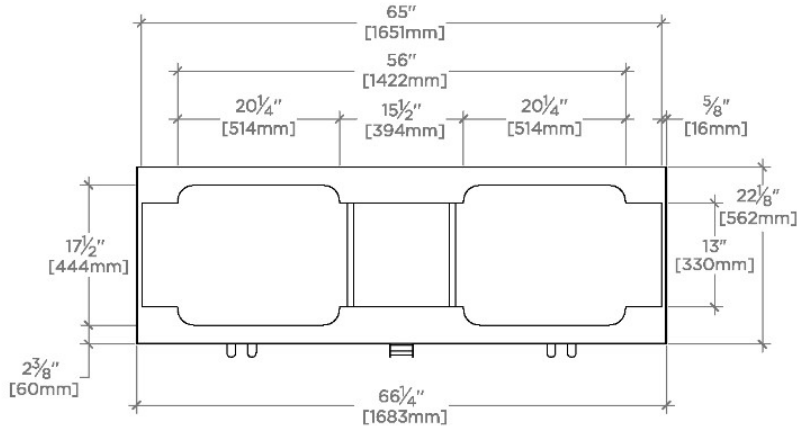
PRODUCT (NOTES)

WATERWORKS

PULLMAN

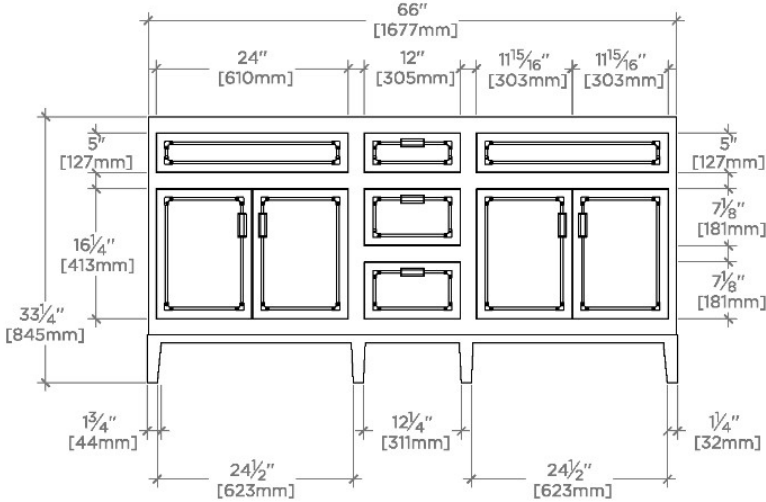
100737

Pullman Double Vanity with Tapered Legs and Hardware 66"
x 22" x 33 1/4"



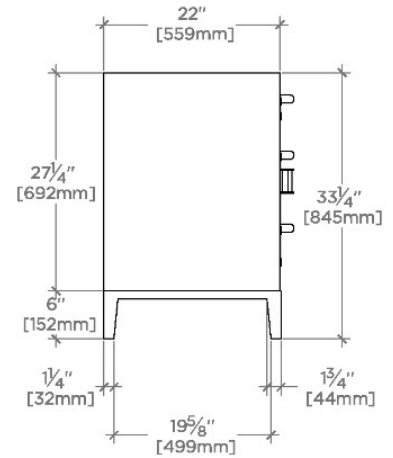
TOP VIEW

SCALE: 1/2"=1'-0"



FRONT VIEW

SCALE: 1/2"=1'-0"



SIDE VIEW

SCALE: 1/2"=1'-0"