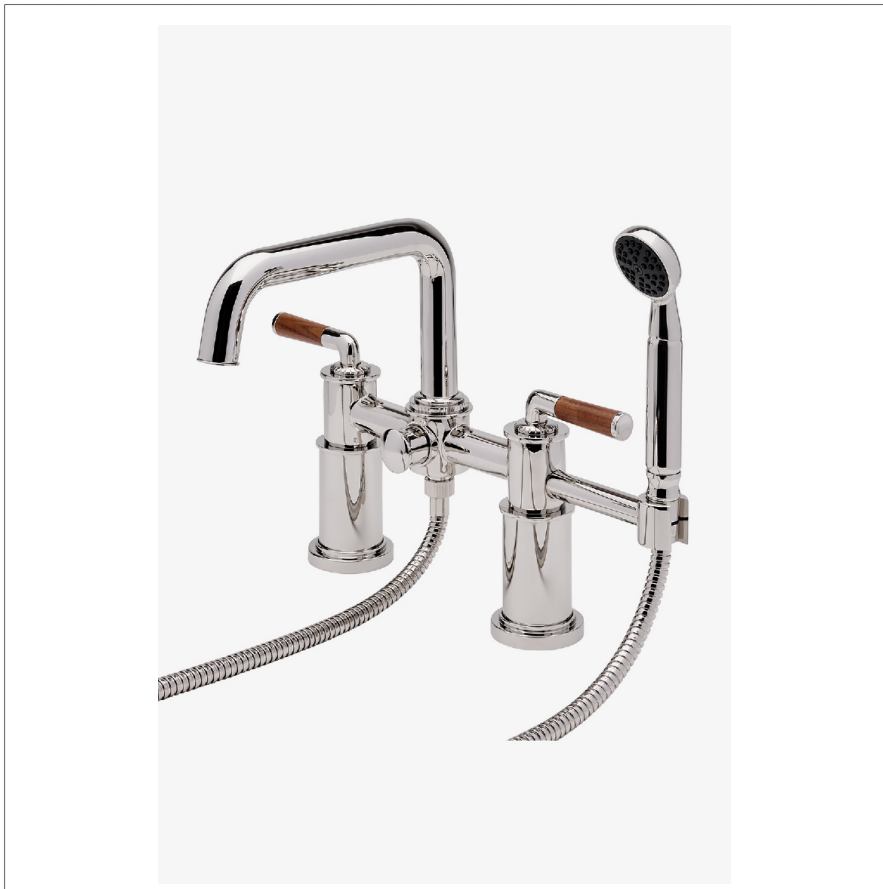


## HENRY CHRONOS

CXT214

Henry Chronos Deck Mounted Exposed Tub Filler with Handshower and Walnut Lever Handles



SHOWN IN HENRY CHRONOS DECK MOUNTED EXPOSED TUB FILLER WITH HANDSHOWER AND WALNUT LEVER HANDLES | CXT214

### TECHNICAL DETAILS

ADA Compliance: No  
 Deck Thickness Maximum: 1 13/16"  
 Deck Thickness Minimum: 1/4"  
 Fittings Hole Diameter: 1 3/8"  
 Handle Spread Maximum: 8"  
 Handle Spread Minimum: 8"  
 Handle Turn Angle: Quarter Turn  
 Handshower Spray Hose Length: 60"  
 Inlet Connection Size: 3/4"  
 Inlet Connection Type: Male NPT and Male BSPP  
 Inlet Supply Spread Maximum: 8"  
 Inlet Supply Spread Minimum: 8"  
 Integrated Diverter: Y  
 Number Of Holes: Two Hole  
 Pivot: Y  
 Primary Material: Brass  
 Restricted Maximum Flow Rate: 1.75 gpm  
 Spout Swivel: N  
 Spray Included In Unit: Y  
 Valve Material: Brass and Ceramic  
 Water Pressure Maximum: 85.0 psi  
 Water Pressure Minimum: 20.0 psi  
 Water Pressure Recommended: 45.0 psi

### INSPIRATION

Inspired by dive watches, Henry Chronos radiates design prowess and technical precision. Chronos retains the design integrity of our original, iconic Henry collection, while imbuing it with modern details and exquisite materials.

### CODES & STANDARDS

CXT214-F.RX, ASME A112.18.1/CSA B125.1, CEC(1.5GPM & 1.75GPM Only), WaterSense(1.5GPM, 1.75GPM & 2.0GPM Only), DOE, State of MA

### PRODUCT FEATURES

Features Walnut Lever Handles

Diverter Knob Allows Bather to Move Water From Spout to Handshower

Handshower Offers a Fixed Spray Pattern, Handshower Post Can Swivel to Allow User to Position Handshower Over the Tub

Stocked in Brass, Chrome and Nickel

Unrestricted Flow for Tub Spout. Handshower Available in 1.75gpm (4.5L/min) Flow Rate

### CERTIFICATIONS

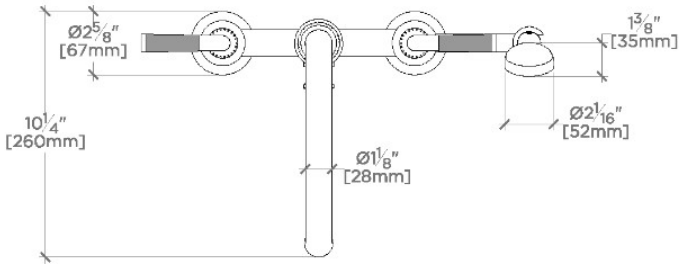


### PRODUCT (NOTES)

## HENRY CHRONOS

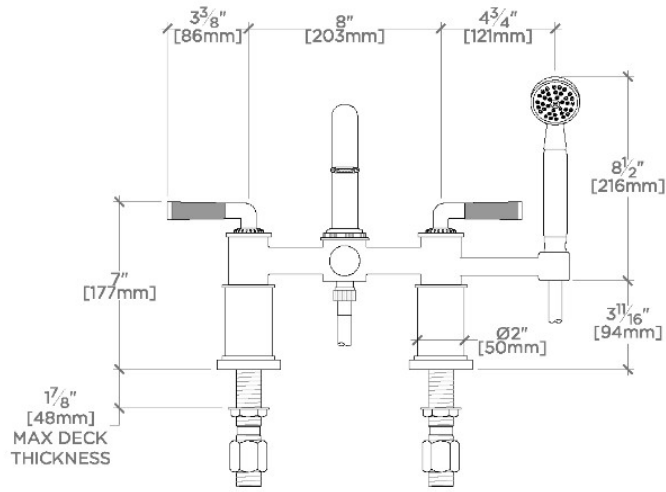
CXT214

Henry Chronos Deck Mounted Exposed Tub Filler with Handshower and Walnut Lever Handles



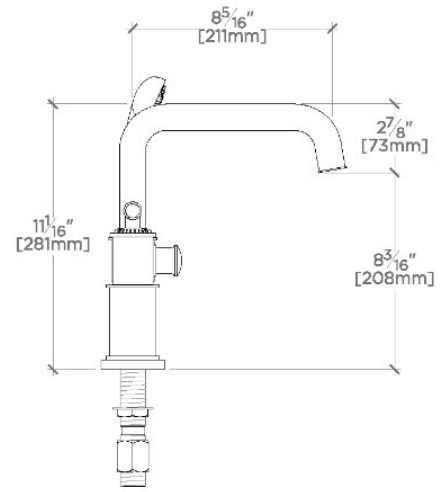
TOP VIEW

SCALE: 1/2"=1'-0"



FRONT VIEW

SCALE: 1/2"=1'-0"



SIDE VIEW

SCALE: 1/2"=1'-0"