

Riverun

RRPB30

Riverun Pressure Balance with Diverter Trim with Two-Tone Lever Handle



SHOWN IN RIVERUN PRESSURE BALANCE WITH DIVERTER TRIM WITH TWO-TONE LEVER HANDLE | RRPB30

TECHNICAL DETAILS

ADA Compliance: Yes
Fittings Hole Diameter: 89 mm
Integrated Diverter: Y
Number Of Holes: One Hole
Primary Material: Brass

INSPIRATION

A new American classic designed with simplicity in mind, Riverun epitomizes quiet elegance through streamlined forms and honest details. These nuanced designs project distinctly American sophistication while effortlessly adapting to any design story.

CODES & STANDARDS

ASME A112.18.1/CSA B125.1, State of MA

PRODUCT FEATURES

Features Two-Tone Lever Handle

Integrated diverter allows bather to move water between two sources

Stocked in Nickel/Matte Black and Brass/Matte Black

Requires rough valve, sold separately: GUPB87

CERTIFICATIONS

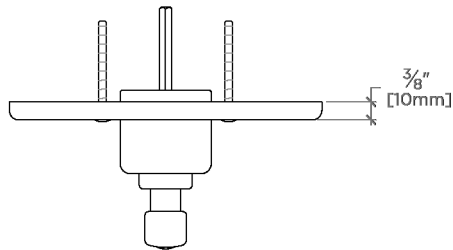


PRODUCT (NOTES)

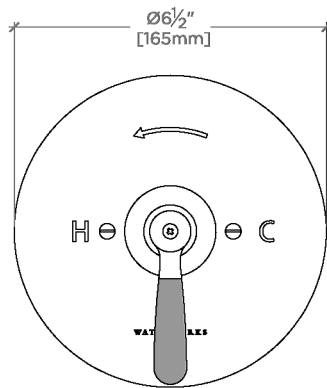
Riverun

RRPB30

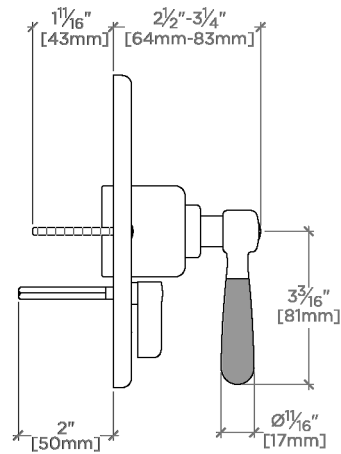
Riverun Pressure Balance with Diverter Trim with Two-Tone Lever Handle



TOP VIEW SCALE: 3"=1'-0"



FRONT VIEW SCALE: 3"=1'-0"



SIDE VIEW SCALE: 3"=1'-0"