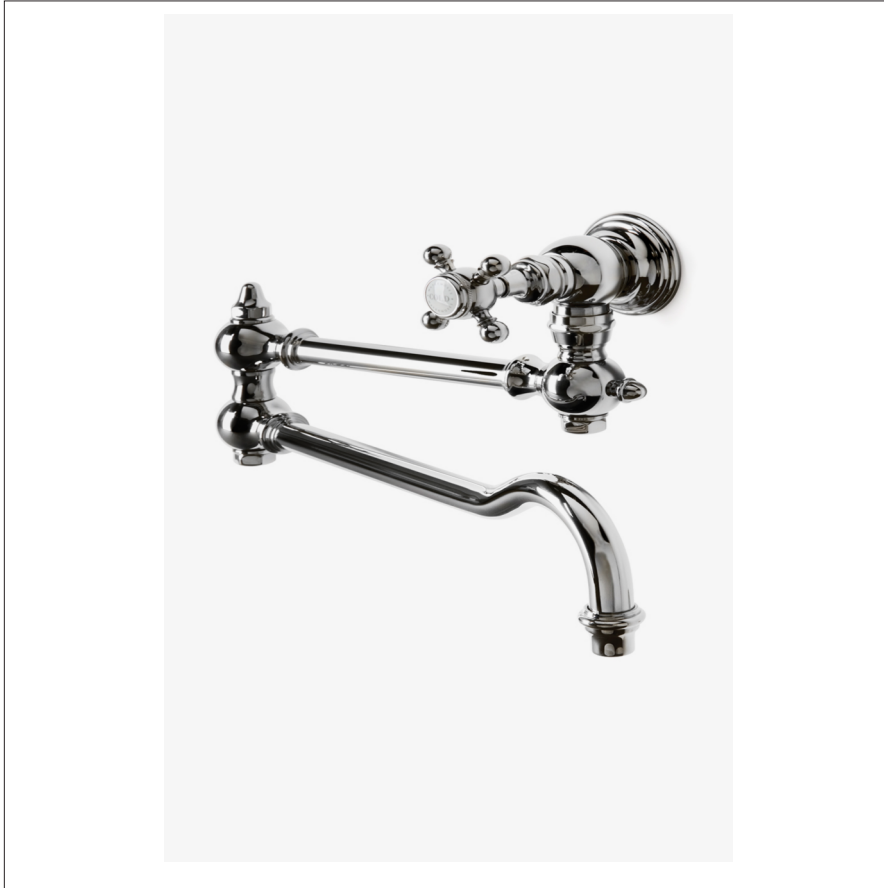


JULIA

JU31PF

Julia Wall Mounted Articulated Pot Filler with Metal Cross Handles



SHOWN IN JULIA WALL MOUNTED ARTICULATED POT FILLER, METAL CROSS HANDLE|JUPF31

TECHNICAL DETAILS

ADA Compliance: Yes
Adjustable versus Fixed Spray: Fixed Spray
Escutcheon Primary Material: Brass
Fittings Hole Diameter: 35 mm
Handle Turn Angle: Quarter Turn
Index Color / Finish and Material: White Porcelain
Depth / Width: 578 mm
Height: 203 mm
Index Marking: Cold
Inlet Connection Size: 1/2"
Inlet Connection Type: Male G/BSPP
Installation Type: Wall Mounted
Length: 64 mm
Number of Handles: One
Number of Holes: One Hole
Primary Material: Brass
Spout Swivel: Y
Suggested Application: Bar, Kitchen, Laundry
Valve Material: Ceramic
Water Pressure Maximum: 5.5 bar
Water Pressure Minimum: 1.5 bar
Water Pressure Recommended: 3.0 bar

INSPIRATION

An interpretation of 1920s French country, Julia speaks to decoration and intricate design displayed through beautifully composed turnings. These details embody the robust, signature high profile spout enabling Julia to transition fluidly from informal to formal environments.

CODES & STANDARDS

Code # : ASME A112.18.1 / CSA B125.1

PRODUCT FEATURES

Lever handle features a metal index and optional handle materials including porcelain, wood, crystal, and semi-precious stones.

Temperature markings and Waterworks' logo engraved on this solid brass trim plate.

Adjust the single handle control to switch water on and adjust temperature

Enhance the shower by partnering the pressure balance with a 2-way diverter system.

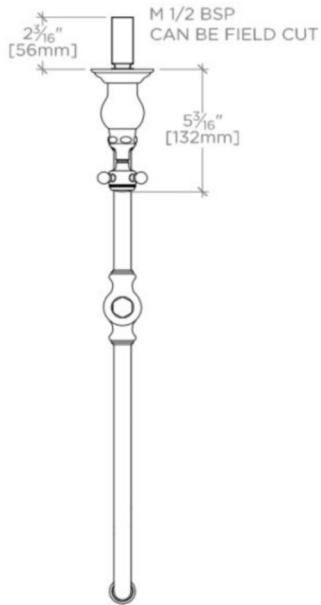
WATERWORKS

JULIA

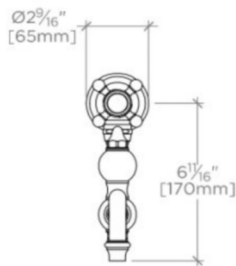
JU31PF

Julia Wall Mounted Articulated Pot Filler with Metal Cross Handles

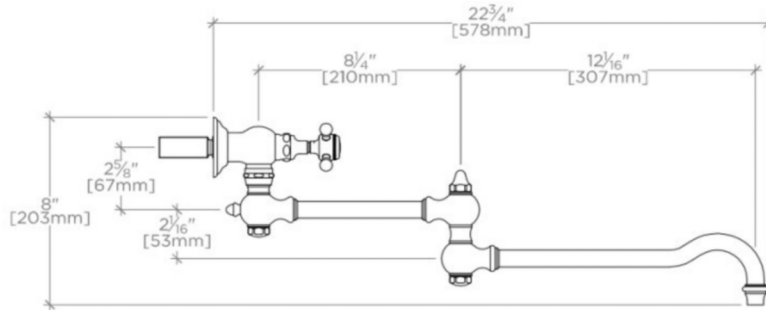
ADAPTER(S) PACKAGED SEPARATELY		
ADAPTER	DESCRIPTION	QTY
UNUK09	1/2" Pipe x 1/2" Male BSP	1



TOP VIEW SCALE: 1 1/2"=1'-0"



FRONT VIEW SCALE: 1 1/2"=1'-0"



SIDE VIEW

SCALE: 1 1/2"=1'-0"