

## MINNA

Minna 60" x 30" x 20" Rectangular Cast Iron Bathtub

MIBT70



SHOWN IN MINNA 60" X 30" X 20" RECTANGULAR CAST IRON BATHTUB | MIBT70

### TECHNICAL DETAILS

ADA Compliance: No  
Assembly / Configuration: One Piece  
Bathing Type: Bathing, Soaking and Showering  
Bottom Angle / Pitch: 1.0 degree\_angle  
Depth to Overflow: 364 mm  
Drain Hole Diameter: 52 mm  
Drilling Option: Fittings Drilling  
Fitting Hole Configuration / Number: None  
Depth / Width: 762 mm  
Height: 508 mm  
Installation Type: Undermount  
Item Weight (Filled): 346.544288 kg  
Length: 1524 mm  
Material / Wall Thickness: 10 mm  
Overflow Hole Diameter: 52 mm  
Primary Material: Cast Iron  
Single or Double Ended: Single Ended  
Suggested Application: Bath

### INSPIRATION

The Minna cast iron bathtub was designed by Waterworks with comfort and space in mind. The ergonomic shape invites bathers to relax and soak while the foot print of the bathtub provides a comfortable area in which to maneuver while showering.

### CODES & STANDARDS

Code # WWBT70: State of MA

### PRODUCT FEATURES

The Minna tub is a simple, rectangular cast iron bathing vessel with a flat deck for drop in or undermount installations.

This five foot bathtub fits most bathroom floor plans allowing for versatile applications.

Available with optional Slip Resistant interior surface which provides additional built-in safety without the use of a mat.

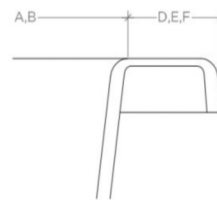
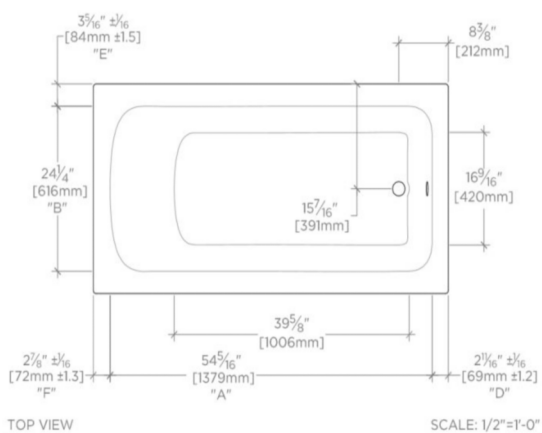
### PRODUCT (NOTES)

Dimensions of fixtures are nominal. Measure your actual product for rough-in details.

MINNA

Minna 60" x 30" x 20" Rectangular Cast Iron Bathtub

MIBT70



BATHING WELL (A,B) AND RIM (D,E,F) DIMENSIONS ARE TO THE TOP OF RADIUS AS SHOWN.

DETAIL VIEW C

