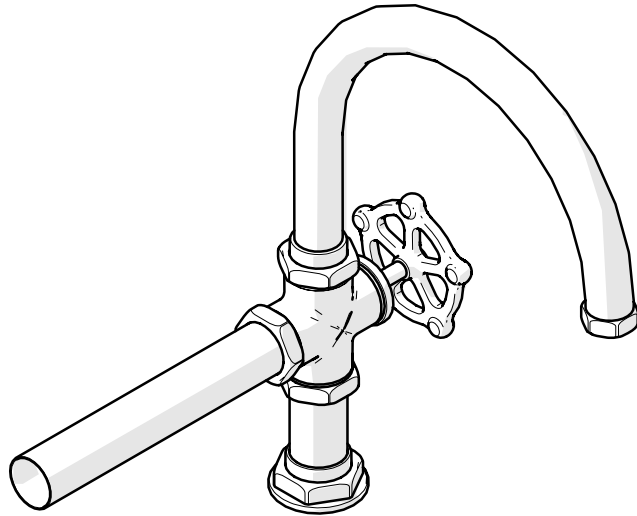


INSTALLATION GUIDELINES

GOOSENECK KITCHEN FAUCET

REGULATOR ADD-ON GOOSENECK SINGLE INLET SPOUT WITH WHEEL HANDLE



STYLES	
RGKM6C	RGKM7C

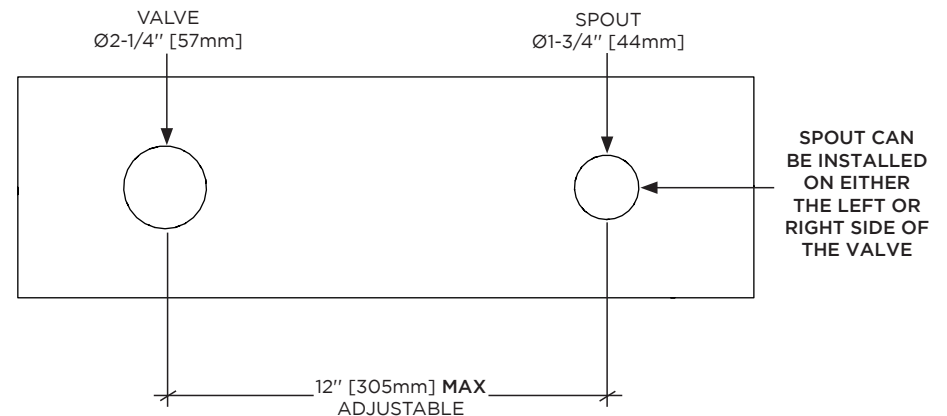
IMPORTANT:

- To ensure this product is installed properly, you must read and follow these guidelines.
- The owner/user of this product must keep this information for future reference.
- This product must be installed by a professional licensed contractor.
- Be sure your installation conforms to all federal, state, and local codes. In the State of Massachusetts, all installations must comply with the rules and regulations set forth within 248 CMR.
- **CAUTION:** Flushing SUPPLY VALVES (sold separately) prior to installing the KITCHEN FAUCET is recommended. Flushing can prevent damage to the CARTRIDGE and other internal components.
- Inspect this product to ensure you have all the parts required for proper installation.
- Product is **sold partially** assembled but shown fully disassembled for illustrative and service purposes only.
- This faucet is intended to work with RGKM20 and RGKM21 (sold separately).

- Use only a strap wrench or protected/smooth-jaw wrench on any finished surface.
- The use of certain plumber's putty may stain stone or tile surfaces.
- If further assistance is required, please contact Product Support at 1-800-927-2120 Monday through Friday, 8am - 6pm EST.
- Refer to the separate Service Parts Documents for available replacement parts.

TECHNICAL DETAILS:

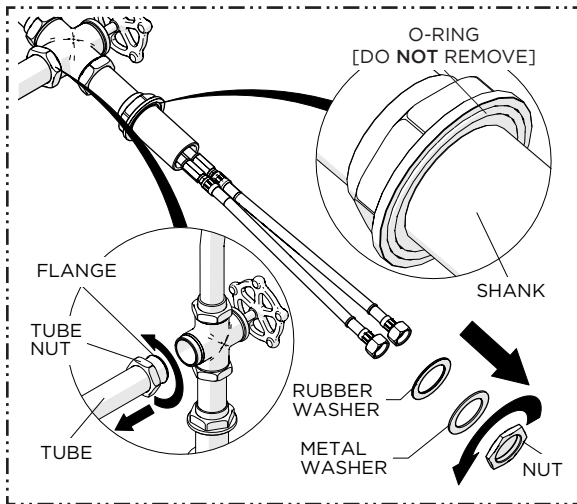
DETAIL	SPECIFICATION
DECK THICKNESS	1/4" [6mm] MINIMUM
	2-1/16" [52mm] MAXIMUM
FITTING HOLE DIAMETER [SPOUT]	Ø1-3/4" [44mm]
HANDLE TURN ANGLE	QUARTER TURN
INLET CONNECTION	3/8" COMPRESSION CONNECTOR HOSES
SPOUT REACH	10" [254mm]
WATER PRESSURE RANGE	20psi [1.5 bar] MINIMUM
	85psi [6.0 bar] MAXIMUM
WATER PRESSURE RECOMMENDED	45psi [3.0 bar]



INSTALLATION GUIDELINES

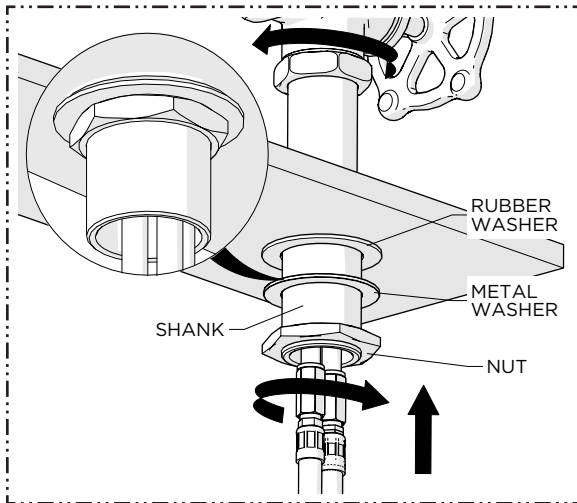
GOOSENECK KITCHEN FAUCET

WATERWORKS

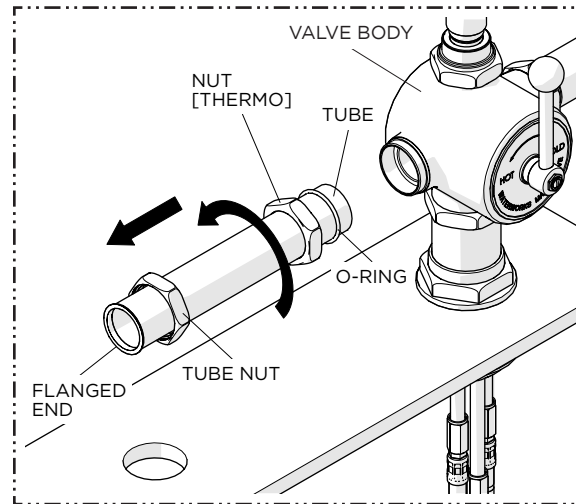


1. Remove the NUT, METAL and RUBBER WASHERS from the SPOUT SHANK, unscrew the TUBE NUT, slide it onto the TUBE, and detach the TUBE from the SPOUT, keeping the FLANGE attached.

NOTE: Do **NOT** remove the O-RING beneath the ESCUTCHEON.

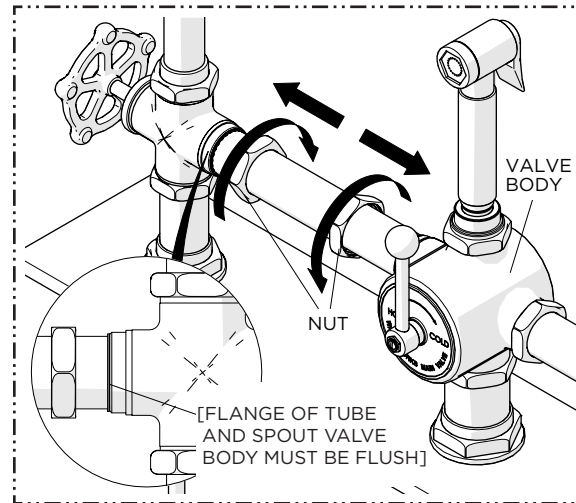


4. Re-install the RUBBER and METAL WASHER then thread and securely tighten the NUT onto the SPOUT SHANK.

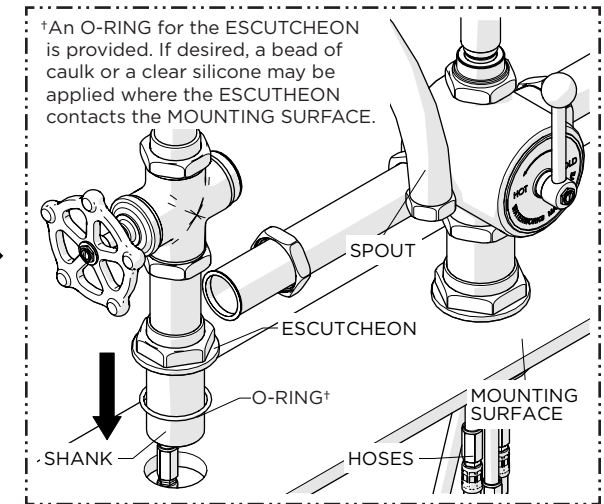


2. Remove O-RING, and NUT from THERMOSTATIC VALVE BODY, and insert them onto TUBE and then insert TUBE open end to the VALVE BODY.

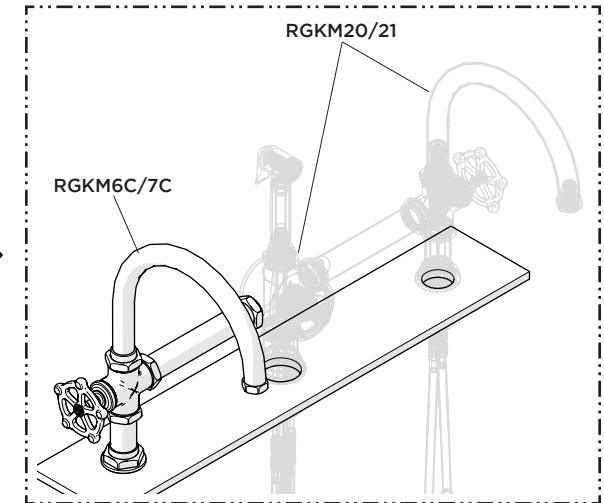
NOTE: TUBE is for aesthetic purpose only, may field cut (Do **not** cut at FLANGED END) with **MAX** distance between SPOUT and VALVE 12" [305mm].



5. Ensure that the flanged end of the TUBE sits flush with the SPOUT VALVE BODY, and then thread and tighten both NUTS on the TUBE.



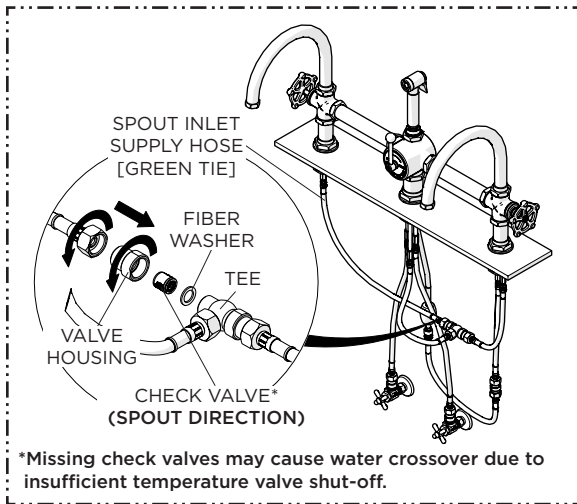
3. Ensure the COPPER TUBES and SUPPLY HOSES are properly connected, and then insert the SPOUT SHANK through the hole on the MOUNTING SURFACE making sure the O-RING provided is beneath the ESCUTCHEON.



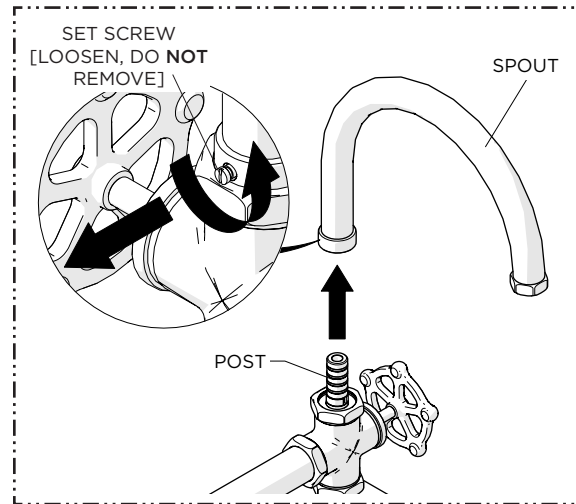
6. Verify Nuts are securely tightened.
Note: Spout can be installed on either the left or right side of the valve.

INSTALLATION GUIDELINES

GOOSENECK KITCHEN FAUCET

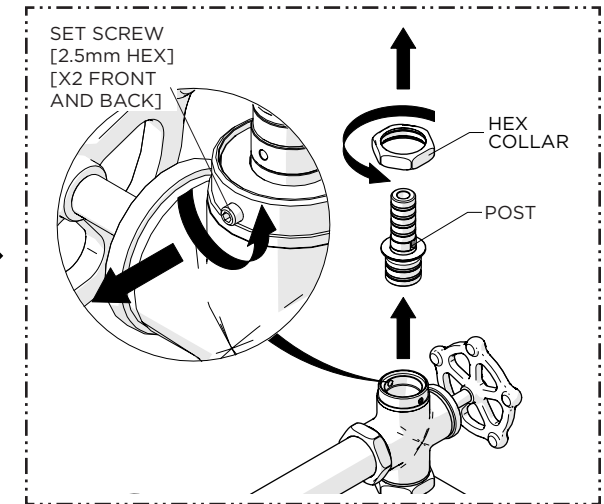


7. SPOUT installation, remove the END CAP NUT from the TEE, connect the "GREEN" HOSE from the ADD-ON SPOUT to the TEE with the FIBER WASHER and CHECK VALVE (directing toward the SPOUT).

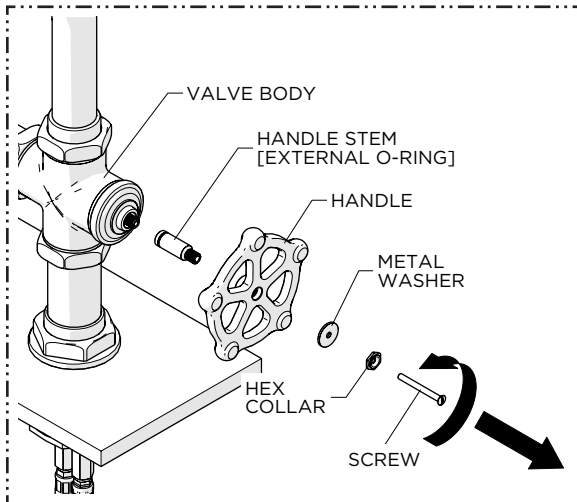


SERVICING SPOUT:

1. Loosen, but do NOT remove, the SET SCREW at the base of the SPOUT, then pull the SPOUT up to remove it and expose the POST.

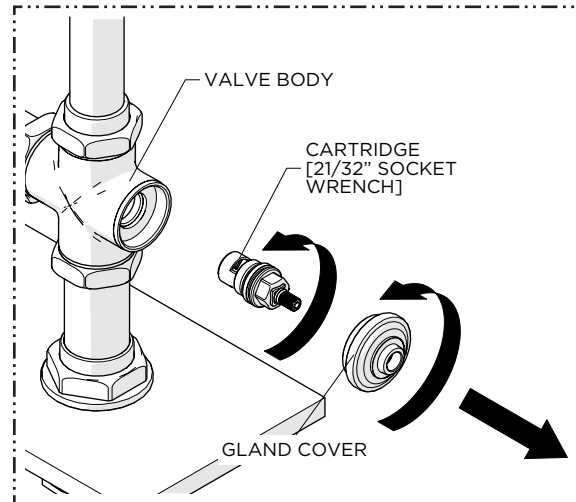


2. Unthread and remove the HEX COLLAR, loosen the exposed SET SCREWS on the front and back of VALVE BODY then pull the POST up to remove it.

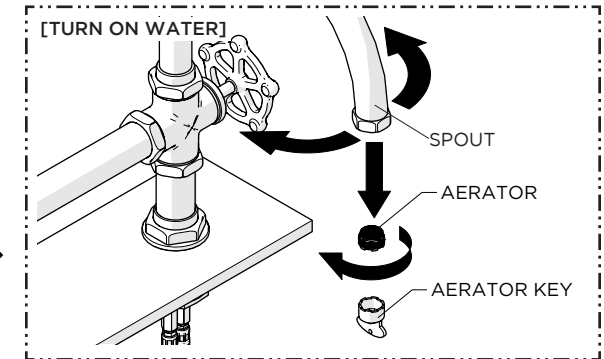


SERVICING SPOUT CARTRIDGE:

1. Unthread and remove the SCREW, HEX COLLAR, METAL WASHER, HANDLE and HANDLE STEM.



2. Unthread and remove the GLAND COVER and then unthread and remove the CARTRIDGE using a 21/32" [17mm] socket wrench.



TROUBLE SHOOTING SPOUT DRIPPING:

If the faucet has a steady stream or drip of water after the unit has been shut off, air may be trapped in the body of the SPOUT and it needs to be purged.

1. Remove the AERATOR and turn water on making sure to move the SPOUT left and right while the water is running. Allow the water to run long until the dripping stops immediately after turning off the water.

NOTE: Air may be heard escaping during purging.