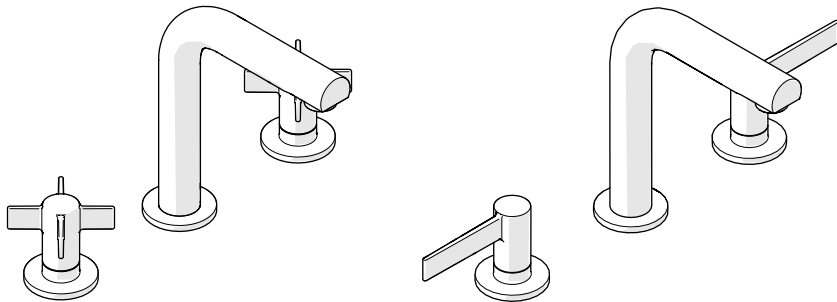


INSTALLATION GUIDELINES

LAVATORY FAUCET

FINOT HIGH PROFILE LAVATORY FAUCET WITH HANDLES



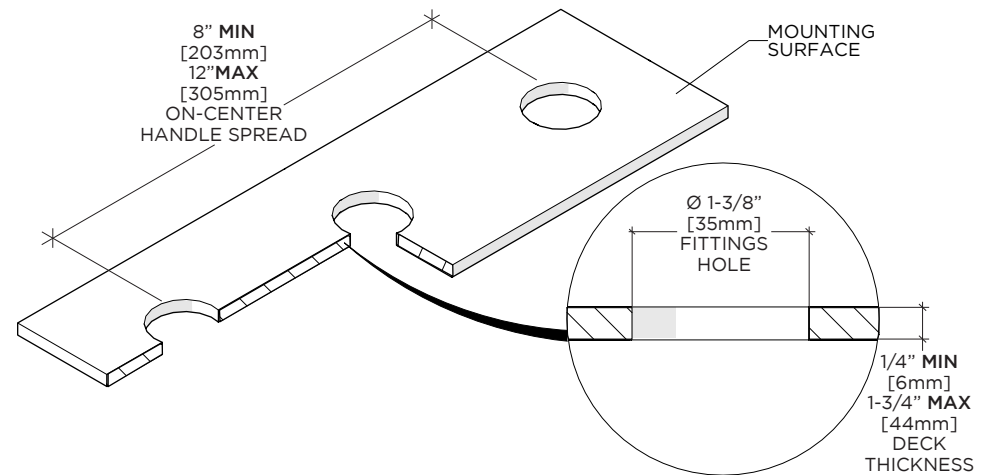
STYLES		
NLS210 [SHOWN]	NLS220 [SHOWN]	NLS260

IMPORTANT:

- To ensure this product is installed properly, you must read and follow these guidelines.
- The owner/user of this product must keep this information for future reference.
- This product must be installed by a professional licensed contractor.
- Be sure your installation conforms to all federal, state, and local codes. In the State of Massachusetts, all installations must comply with the rules and regulations set forth within 248 CMR.
- Inspect this product to ensure you have all the parts required for proper installation.
- Product is sold partially assembled but shown fully disassembled for illustrative and service purposes only.
- **CAUTION:** Use only a strap wrench or protected/smooth-jaw wrench on ANY finished surface
- **CAUTION:** Flushing the SUPPLY VALVES (sold separately) prior to installing the LAVATORY FAUCET is recommended. Flushing can prevent damage to the CARTRIDGES and other internal components.
- The use of certain plumber's putty may stain stone or tile surfaces.
- If further assistance is required, please contact Product Support at 1-800-927-2120 Monday through Friday, 8am - 6pm EST.
- Refer to the separate Service Parts Documents for available replacement parts.

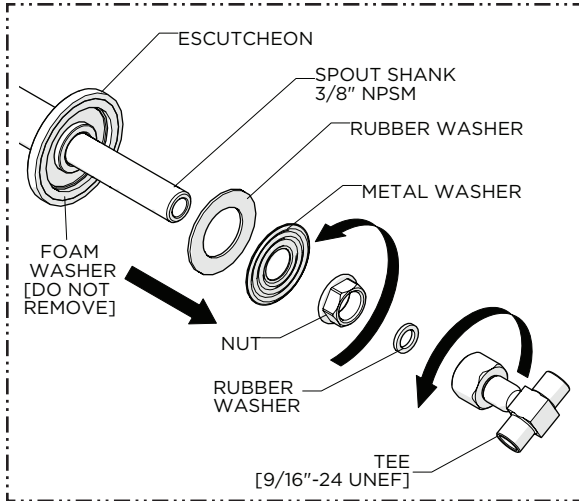
TECHNICAL DETAILS:

DETAIL	SPECIFICATION
DRAIN DEPTH	3/8" [10mm] MIN 2" [51mm] MAX
DRAIN HOLE DIAMETER	Ø 1-1/2" [38mm]
DRAIN STYLE	PUSH-TOUCH
HANDLE TURN ANGLE	QUARTER TURN
INLET CONNECTION	1/2" MALE WITH SUPPLY NUT
SPOUT REACH	5-3/8" [137mm]
WATER PRESSURE	85psi [6.0 bar] MAX 20psi [1.5 bar] MIN
WATER PRESSURE RECOMMENDED	45psi [3.0 bar]



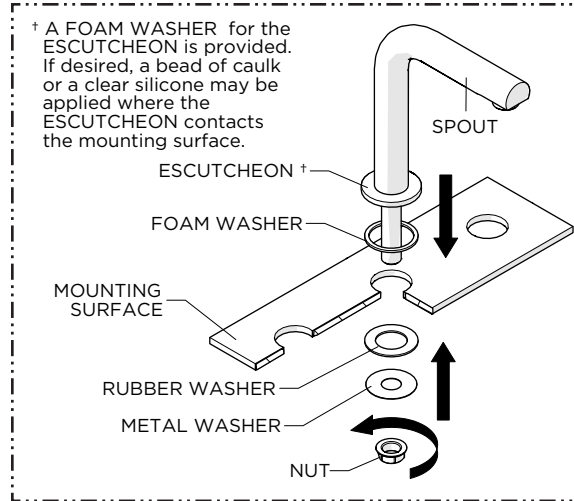
INSTALLATION GUIDELINES

LAVATORY FAUCET

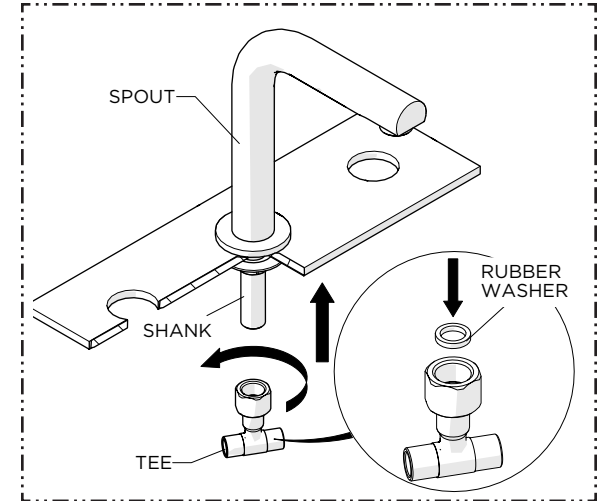


1. Remove the TEE, NUT and LOWER DECK WASHERS from the SPOUT SHANK.

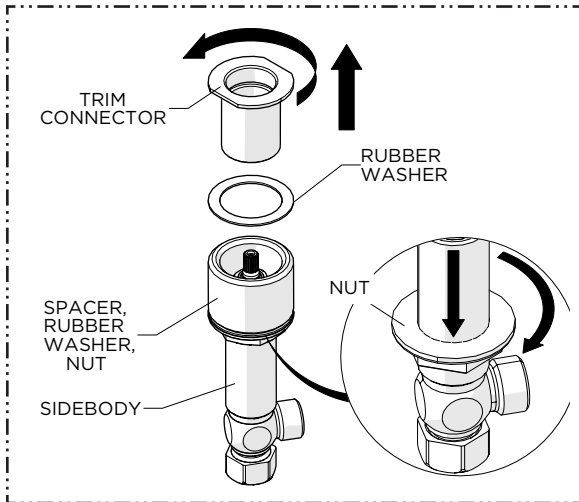
NOTE: Do **NOT** remove the FOAM WASHER beneath the ESCUTCHEON or discard the RUBBER WASHER provided with the TEE.



2. Insert the SHANK through the hole on the mounting surface, making sure the FOAM WASHER is beneath the ESCUTCHEON, then re-install the LOWER DECK WASHERS and securely tighten the NUT.

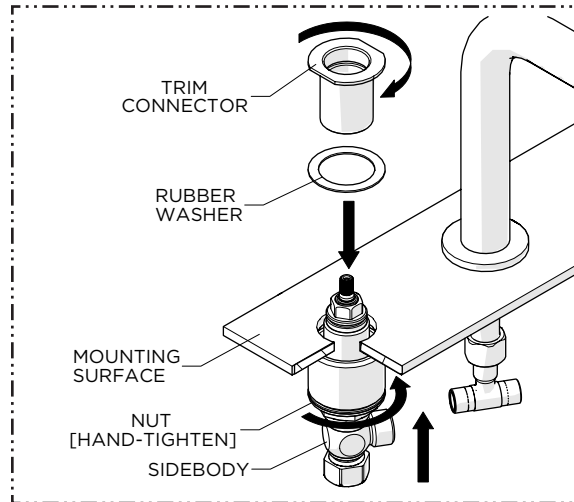


3. Thread and securely tighten the TEE onto the SHANK making sure to use the RUBBER WASHER provided.

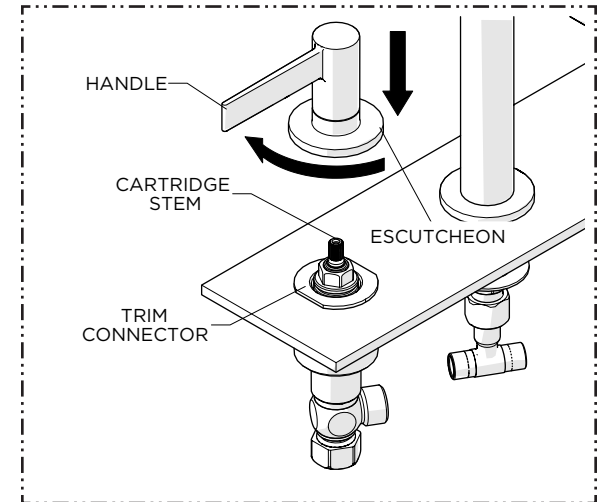


4. Unthread and remove the TRIM CONNECTOR and RUBBER WASHER from the SIDEBODY then fully thread the NUT down the SIDEBODY.

NOTE: Do **NOT** remove the LOWER DECK WASHER and SPACER.



5. Making sure the RUBBER WASHER is beneath the TRIM CONNECTOR, insert the SIDEBODY through the hole on the MOUNTING SURFACE from below, then thread the TRIM CONNECTOR back onto the SIDEBODY until it stops, then hand-tighten the NUT to allow for proper alignment.

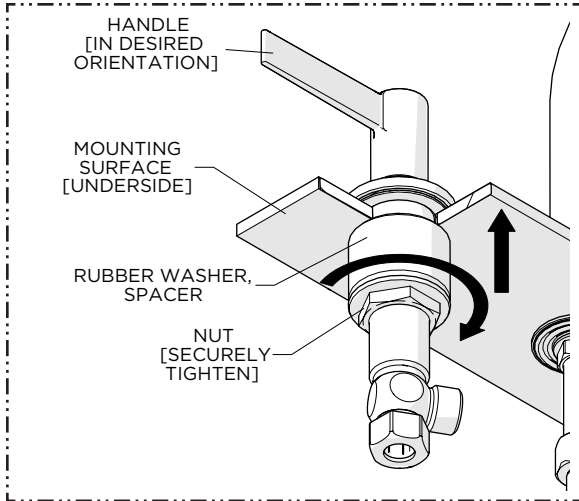


6. Place the HANDLE over the CARTRIDGE STEM then thread the ESCUTCHEON into the TRIM CONNECTOR until snug.

INSTALLATION GUIDELINES

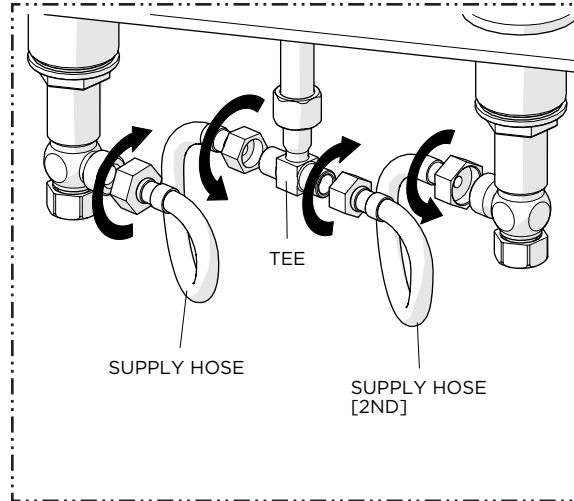
LAVATORY FAUCET

WATERWORKS

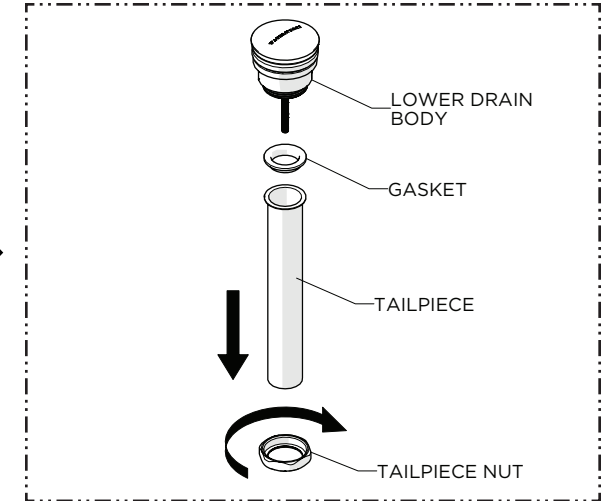


7. Ensure the HANDLE is in the desired orientation then thread and securely tighten the NUT against the underside of the mounting surface.

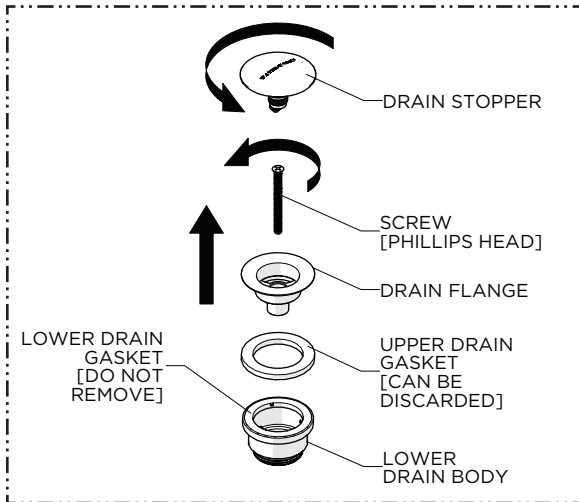
➤ REPEAT STEPS 4 THROUGH 7 TO INSTALL THE SECOND (2ND) HANDLE.



8. Connect the SIDEBODIES to the TEE using the SUPPLY HOSES provided. Securely tighten the HOSES and ensure they are not pinched/kinked.

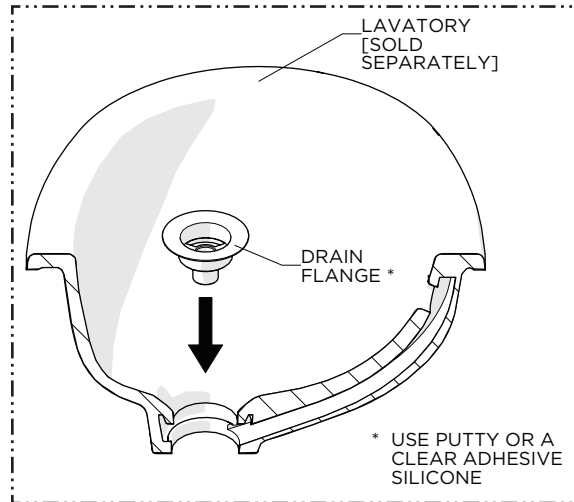


9. Unthread and remove the NUT, TAILPIECE, and GASKET from the LOWER DRAIN BODY.

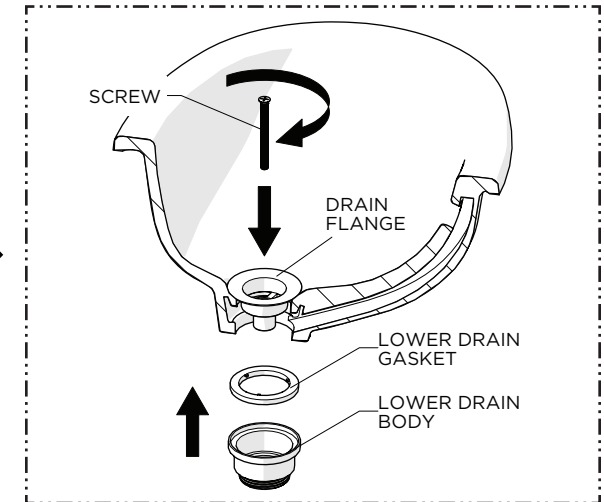


10. Remove the DRAIN STOPPER from the DRAIN FLANGE then unthread the SCREW from the LOWER DRAIN BODY.

CAUTION: Do NOT remove or discard the LOWER DRAIN GASKET.



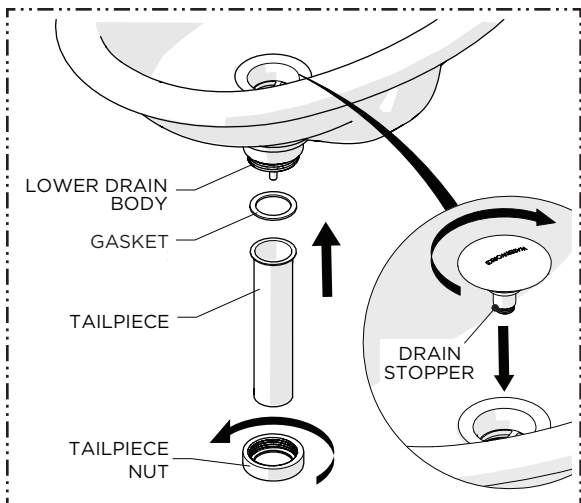
11. Set the DRAIN FLANGE into the LAVATORY (sold separately) using putty or a clear adhesive silicone.



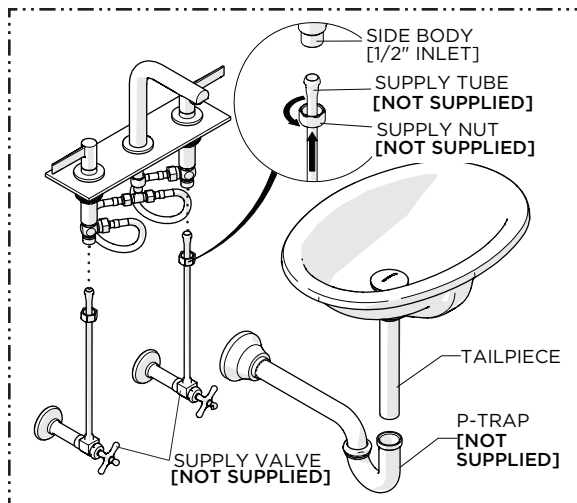
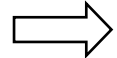
12. Insert the SCREW provided into the FLANGE then thread and securely tighten the SCREW into the LOWER DRAIN BODY making sure the GASKET makes a full seal on the underside of the LAVATORY.

INSTALLATION GUIDELINES

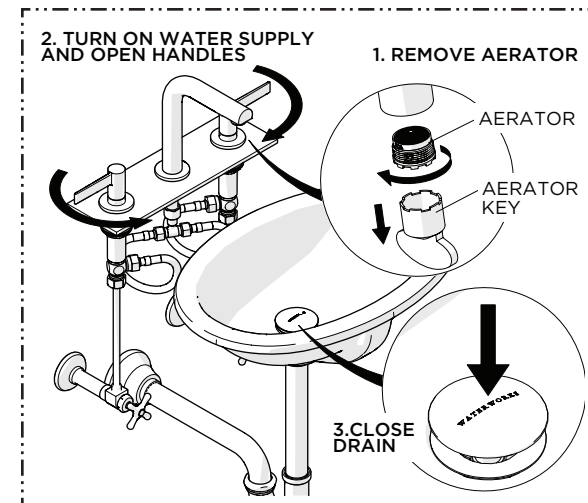
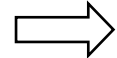
LAVATORY FAUCET



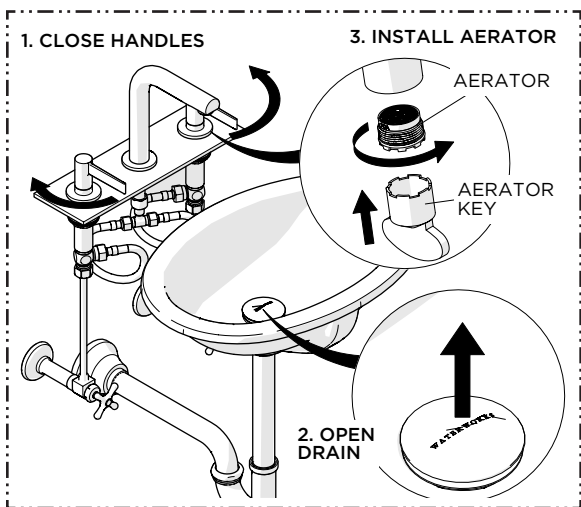
13. Re-install the DRAIN STOPPER and TAILPIECE using the WASHER and NUT provided.



14. Make final P-TRAP (sold separately) and SUPPLY VALVE (sold separately) connections.



15. Remove the AERATOR, turn on the water supply and open the HANDLES to flush out the supply lines, and inspect all connections for leaks then close the DRAIN to ensure it functions properly.



16. Close the HANDLES, open the DRAIN to drain the water, and re-install the AERATOR.

NOTE: 2-3 Seconds of residual water is typical on high profile faucets.