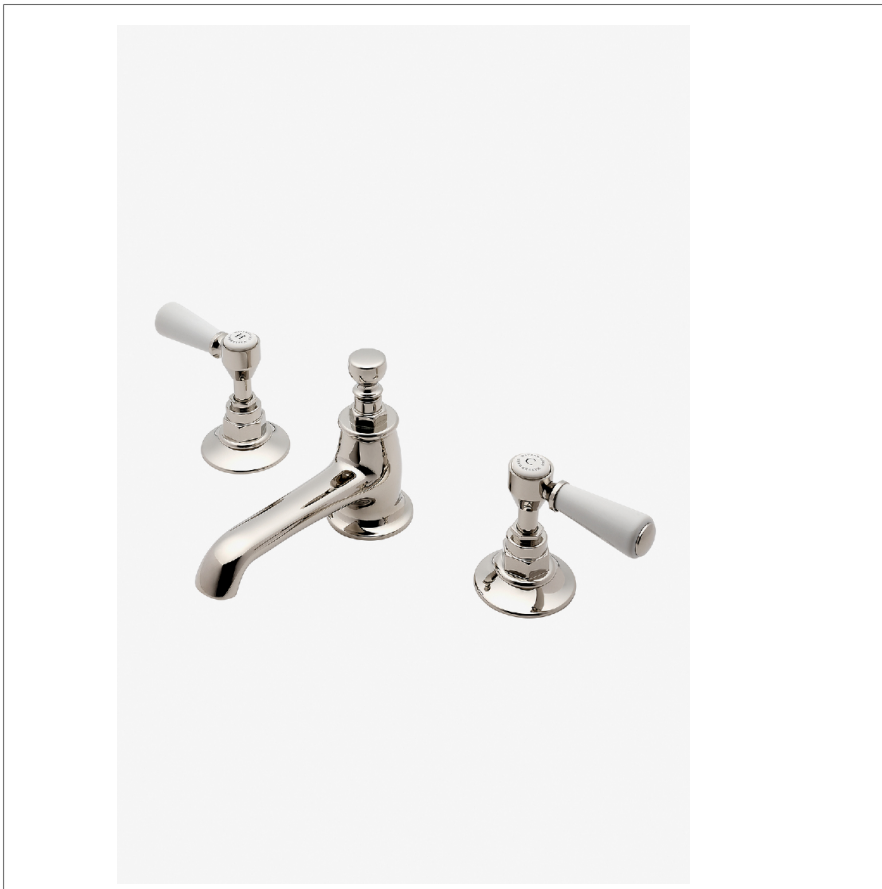


Highgate

HGLS10

Highgate Lavatory Faucet with Porcelain Lever Handles



SHOWN IN HIGHGATE LAVATORY FAUCET WITH PORCELAIN LEVER HANDLES | HGLS10

TECHNICAL DETAILS

ADA Compliance: Yes
 Adjustable Versus Fixed Spray: Fixed Spray
 Deck Thickness Maximum: 48 mm
 Deck Thickness Minimum: 10 mm
 Depth/Width: 170 mm
 Drain Depth Maximum: 51 mm
 Drain Depth Minimum: 32 mm
 Drain Hole Diameter: 38 mm
 Escutcheon Primary Material: Brass
 Fittings Hole Diameter: 35 mm
 Flow Restriction Options: 1.2
 Handle Spread Maximum: 305 mm
 Handle Spread Minimum: 203 mm
 Handle Turn Angle: Quarter Turn
 Height: 111 mm
 Index Color Finish And Material: White Porcelain
 Index Marking: H/C
 Inlet Connection Size: 1/2"
 Inlet Connection Type: Male with Supply Nut
 Inlet Supply Spread Maximum: 305 mm
 Inlet Supply Spread Minimum: 203 mm
 Installation Type: Deck Mounted
 Integrated Diverter: N
 Integrated Spray: N
 Number Of Handles: Two
 Number Of Holes: Three Hole
 Primary Material: Brass
 Restricted Maximum Flow Rate: 4.5 liters/min
 Spout Swivel: N
 Spray Included In Unit: N
 Suggested Application: Bath
 Valve Material: Ceramic
 Water Pressure Maximum: 6.0 bar
 Water Pressure Minimum: 1.5 bar
 Water Pressure Recommended: 3.0 bar

INSPIRATION

Our take on old English style: simple, functional shapes, detailed with white porcelain indices and hexagonal accents for a timeless feel.

CODES & STANDARDS

HGLS10X, NSF/ANSI/CAN 61:Q < 1, NSF/ANSI/CAN 372, NSF/ANSI/CAN 372, ASME A112.18.1/CSA B125.1, CEC, State of MA

PRODUCT FEATURES

Lever Handles

Includes Universal Lift and Turn Drain (UNLD30) which fits 1-1/2" through 1-3/4" drain hole openings

Stocked in Chrome, Nickel and Brass

Available in 1.2gpm (4.5L/min) flow rate

CERTIFICATIONS



PRODUCT (NOTES)

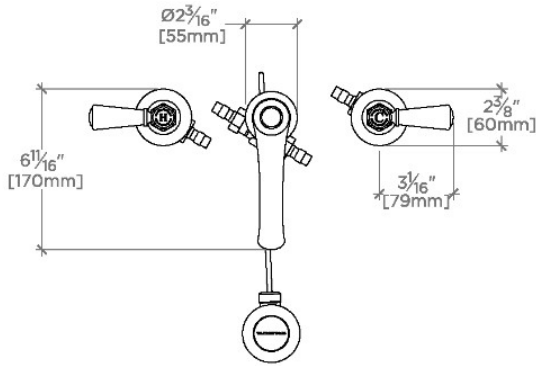
USA style drain included.

WATERWORKS

Highgate

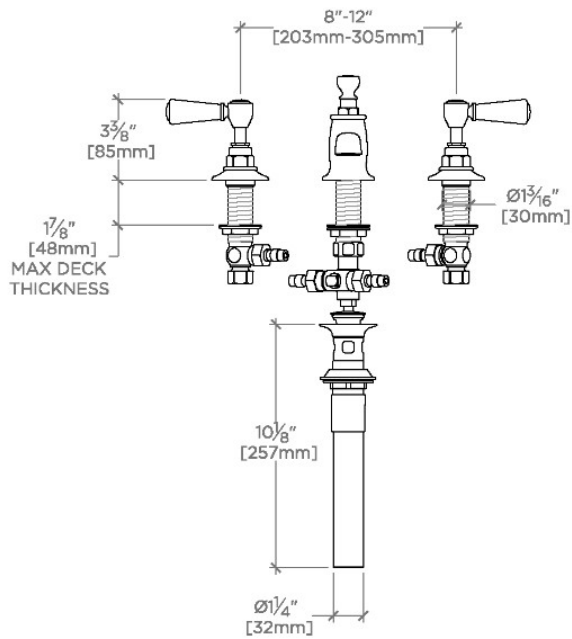
HGLS10

Highgate Lavatory Faucet with Porcelain Lever Handles



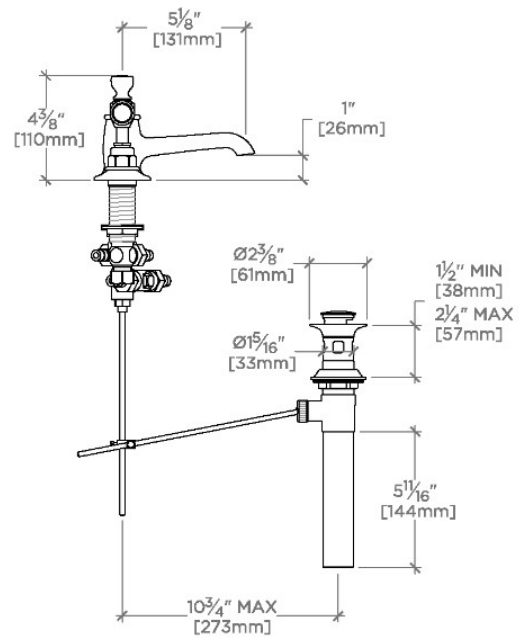
TOP VIEW

SCALE: 1/2"=1'-0"



FRONT VIEW

SCALE: 1/2"=1'-0"



SIDE VIEW

SCALE: 1/2"=1'-0"