

Universal

USHR10

Universal Recessed 10" Round Rain Showerhead with Circular Spray Pattern



SHOWN IN UNIVERSAL RECESSED 10" ROUND RAIN SHOWERHEAD WITH CIRCULAR SPRAY PATTERN | USHR10

TECHNICAL DETAILS

Adjustable Versus Fixed Spray: Fixed Spray
 Fittings Hole Diameter: 205 mm
 Inlet Connection Size: 1/2"
 Inlet Connection Type: Female Hose
 Pivot: N
 Primary Material: Brass
 Restricted Maximum Flow Rate: 6.6 liters/min
 Water Pressure Maximum: 6.0 bar
 Water Pressure Minimum: 1.5 bar
 Water Pressure Recommended: 3.0 bar

INSPIRATION

Our Universal collection features timeless designs complementing any of our Waterworks. With a wide range of product, from fittings to accessories, Universal adds exquisite proportion and balance to any environment.

CODES & STANDARDS

USHR10X, ASME A112.18.1/CSA B125.1, CEC(1.5GPM & 1.75GPM Only), WaterSense(1.5GPM, 1.75GPM & 2.0GPM Only), DOE, State of MA

PRODUCT FEATURES

Made of Brass

10" ceiling mounted rain showerhead

144 easy clean rubber nozzles prevent calcium buildup

Stocked in Brass, Chrome, Nickel and Matte Nickel

Rain showerhead available in 1.75gpm (6.6L/min) flow rate

CERTIFICATIONS

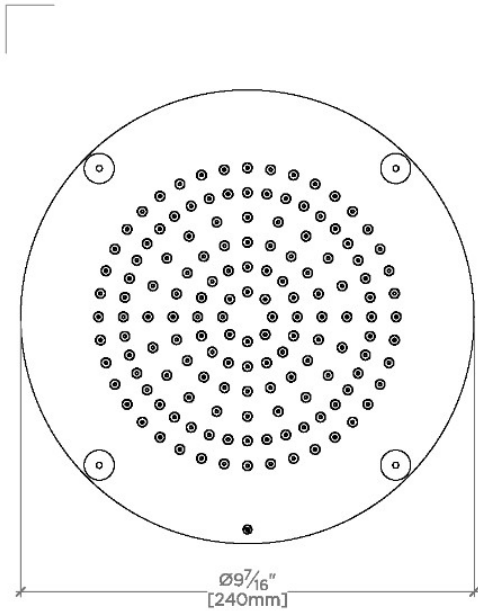


PRODUCT (NOTES)

Universal

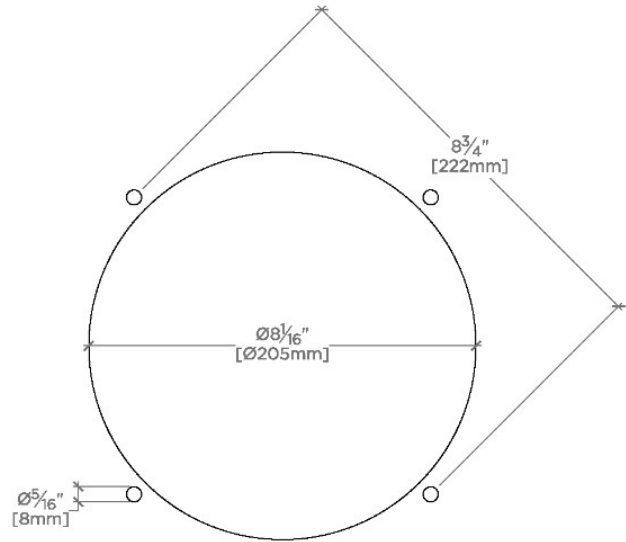
USHR10

Universal Recessed 10" Round Rain Showerhead with Circular Spray Pattern



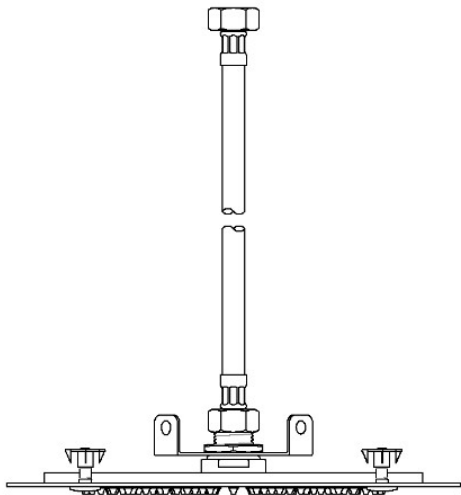
CEILING VIEW

SCALE: 3"=1'-0"



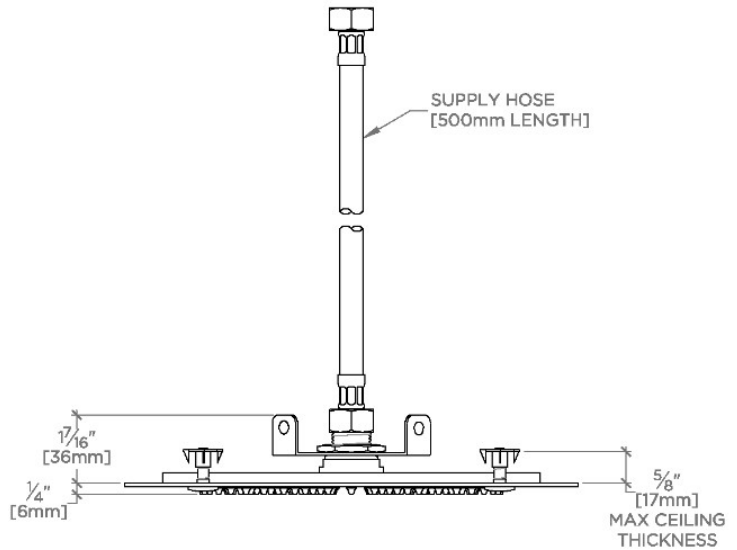
CUTOUT VIEW

SCALE: 3"=1'-0"



FRONT VIEW

SCALE: 3"=1'-0"



SIDE VIEW

SCALE: 3"=1'-0"