

RIVERUN

RRLS70

Riverun Wall Mounted Lavatory Faucet with Two-Tone Lever Handles



SHOWN IN RIVERUN WALL MOUNTED LAVATORY FAUCET WITH TWO-TONE LEVER HANDLES | RRLS70

TECHNICAL DETAILS

ADA Compliance: Yes
 Drain Depth Maximum: 2"
 Drain Depth Minimum: 3/8"
 Drain Hole Diameter: 1 1/2"
 Drain Style: Push Touch
 Fittings Hole Diameter: 1 3/8"
 Flow Restriction Options: 1.2
 Handle Spread Maximum: 8"
 Handle Turn Angle: Quarter Turn
 Inlet Connection Size: 1/2"
 Inlet Connection Type: Female NPT
 Inlet Supply Spread Maximum: 8"
 Number Of Holes: Three Hole
 Primary Material: Brass
 Restricted Maximum Flow Rate: 1.2 gpm
 Spout Swivel: N
 Water Pressure Maximum: 85.0 psi
 Water Pressure Minimum: 20.0 psi
 Water Pressure Recommended: 45.0 psi

INSPIRATION

This new American classic was designed with simplicity in mind. Featuring streamlined forms and honest details, it's the epitome of quiet elegance.

CODES & STANDARDS

RRLS70X, NSF/ANSI/CAN 61:Q < 1, NSF/ANSI/CAN 372, ASME A112.18.1/CSA B125.1, CEC, State of MA

PRODUCT FEATURES

Features Two-Tone Lever Handles

Includes Universal Push-Touch Drain (UNLD23) which fits 1-1/2" through 1-3/4" drain hole openings

Stocked in Nickel/Matte Black and Brass/Matte Black

Available in 1.2gpm (4.5L/min) flow rate; Requires valve, sold separately: GULV25 (USA) or GU25LV (UK/International)

CERTIFICATIONS



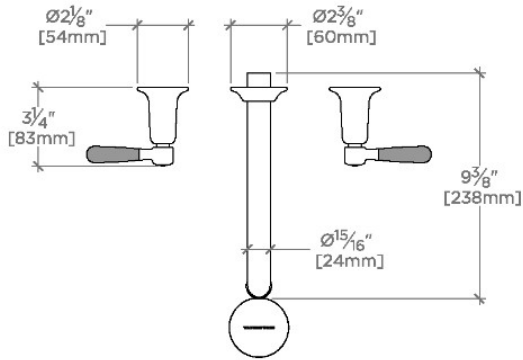
PRODUCT (NOTES)

WATERWORKS

RIVERUN

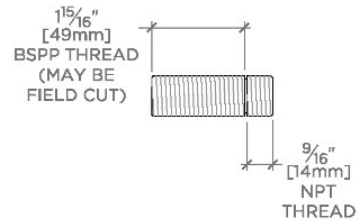
RRLS70

Riverun Wall Mounted Lavatory Faucet with Two-Tone Lever Handles

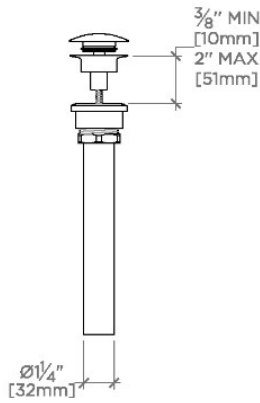
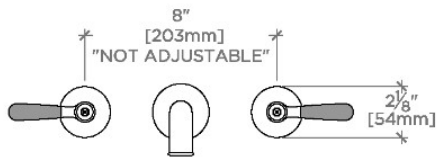


TOP VIEW

SCALE: 1/2"=1'-0"

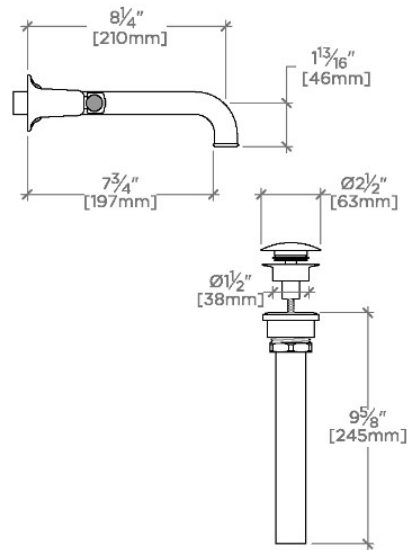


ADAPTER INCLUDED - INTERNATIONAL USE ONLY



FRONT VIEW

SCALE: 1/2"=1'-0"



SIDE VIEW

SCALE: 1/2"=1'-0"