

Regulator

RGKM21

Regulator Gooseneck Kitchen Faucet with Wheel Handle and Spray



SHOWN IN REGULATOR GOOSENECK KITCHEN FAUCET WITH WHEEL HANDLE AND SPRAY | RGKM21

TECHNICAL DETAILS

Deck Thickness Maximum: 52 mm
 Deck Thickness Minimum: 6 mm
 Depth/Width: 314 mm
 Handle Spread Maximum: 305 mm
 Handle Spread Minimum: 152 mm
 Handle Turn Angle: Quarter Turn Each Way
 Handshower Spray Hose Length: 1.2 m
 Height: 403 mm
 Inlet Connection Size: 3/8"
 Inlet Connection Type: Compression Connection
 Hoses
 Integrated Diverter: Y
 Length: 452 mm
 Primary Material: Brass
 Spout Swivel: Y
 Spray Included In Unit: Y
 Suggested Application: Bar, Kitchen, Laundry
 Valve Material: Ceramic
 Water Pressure Maximum: 6.0 bar
 Water Pressure Minimum: 1.5 bar
 Water Pressure Recommended: 3.0 bar

INSPIRATION

With striking scale and unique design, Regulator commands attention through its tribute to early 20th-century boiler room controls, when pride was lavished on hard-built parts. Each handcrafted fitting brings dramatic beauty through powerful proportions and honest details.

CODES & STANDARDS

RGKM21-F.RX, NSF/ANSI/CAN 61:Q < 1, NSF/ANSI/CAN 372, CEC

PRODUCT FEATURES

Casted brass temperature mixing valve. The user rotates the center control handle for preferred temperature.

Solid brass wheel handles finished in matte black to control on/off/volume.

Built-in automatic diverters for spray operation.

Standard flow rate is 2.2gpm (8.3 L/min) and State of California requires a maximum of 1.8gpm(6.8 L/min). Also available in high efficiency flow options. Contact a sales associate for details.

CERTIFICATIONS

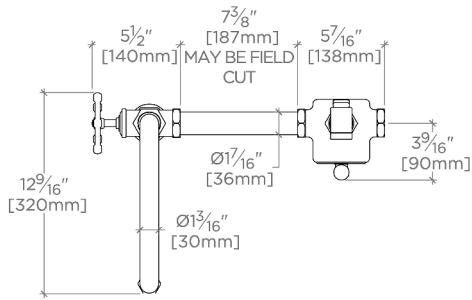
Drilling size requirements are 2 1/4" for mixing/spray
PRODUCT NOTES set body.

WATERWORKS

Regulator

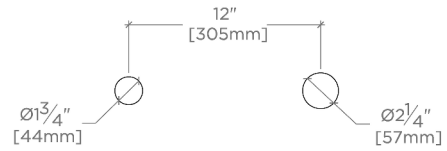
RGKM21

Regulator Gooseneck Kitchen Faucet with Wheel Handle and Spray



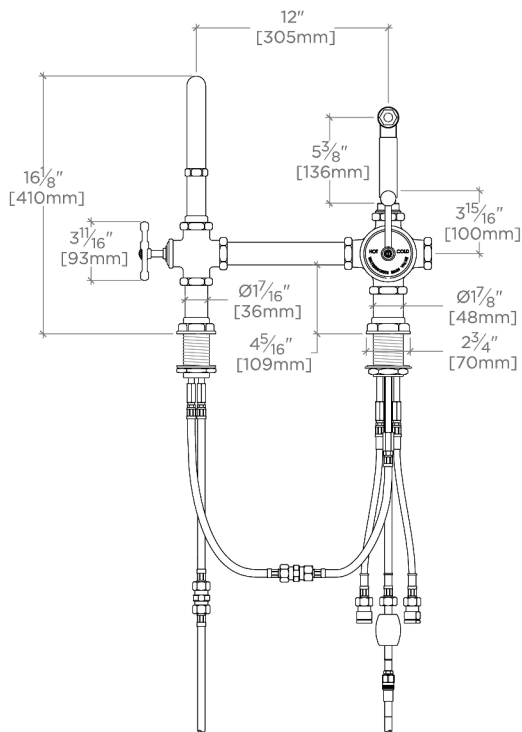
TOP VIEW

SCALE: 1"=1'-0"



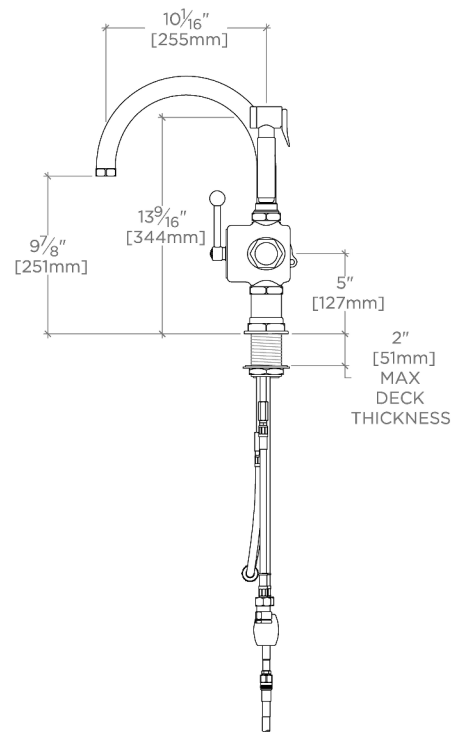
REQUIRED DRILLINGS

SCALE: 1"=1'-0"



FRONT VIEW

SCALE: 1"=1'-0"



SIDE VIEW

SCALE: 1"=1'-0"