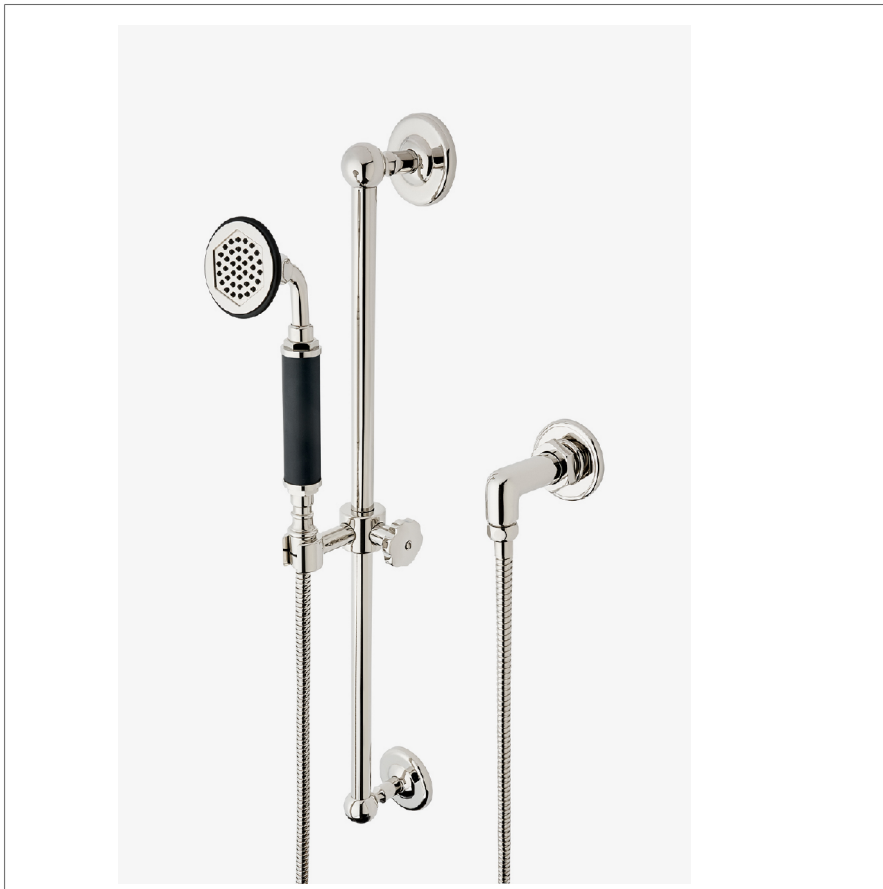


Regulator

RGHS10

Regulator Handshower on Bar with Two-Tone Handle



SHOWN IN REGULATOR HANDSHOWER ON BAR WITH TWO-TONE HANDLE | RGHS10

TECHNICAL DETAILS

ADA Compliance: When installed per ADA guidelines
 Adjustable Versus Fixed Spray: Fixed
 Depth/Width: 125 mm
 Escutcheon Primary Material: Brass
 Fittings Hole Diameter: 25 mm
 Flow Restriction Options: 2.5, 2.2, 2.0, 1.75, 1.5, 0.92
 Handshower Spray Hose Length: 1.5 m
 Height: 630 mm
 Inlet Connection Size: 1/2"
 Inlet Connection Type: Female NPT
 Length: 141 mm
 Primary Material: Brass
 Restricted Maximum Flow Rate: 6.6 liters/min
 Suggested Application: Bath
 Water Pressure Maximum: 6.0 bar
 Water Pressure Minimum: 1.5 bar
 Water Pressure Recommended: 3.0 bar

INSPIRATION

A play on industrial controls from the early 1900s, when pride was lavished on parts. Translated to handcrafted, fittings project rugged beauty through powerful, detailed shapes.

CODES & STANDARDS

RGHS10-F.RX, ASME A112.18.1/CSA B125.1, Waterworks Handshowers use check valves compliant to ASME A112.18.3 for backflow protection. CEC(1.5GPM & 1.75GPM Only), DOE, State of MA

PRODUCT FEATURES

2 3/4" Head

Features a Fixed Spray Pattern

Stocked in Nickel/Matte Black and Brass/Matte Black

Handshower Available in 1.75gpm (6.6L/min) Flow Rate

CERTIFICATIONS

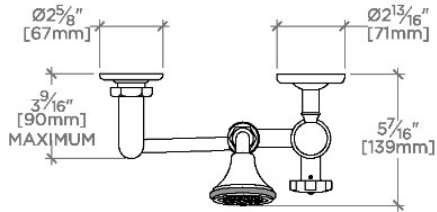


PRODUCT (NOTES)

Regulator

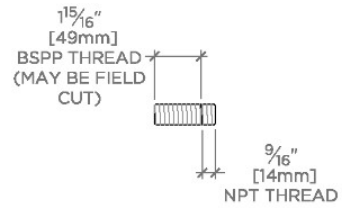
RGHS10

Regulator Handshower on Bar with Two-Tone Handle

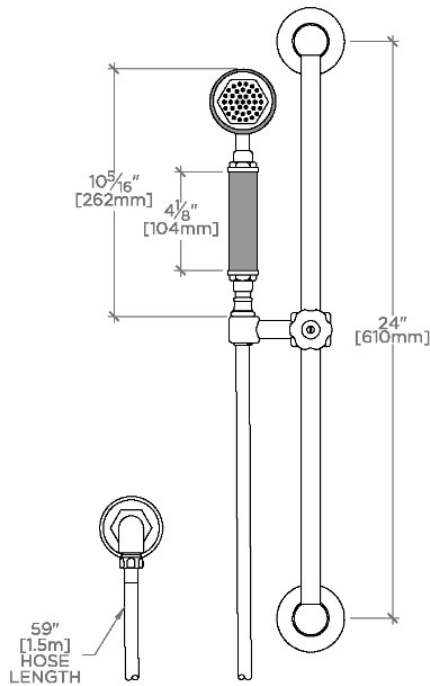


TOP VIEW

SCALE: 1/2"=1'-0"

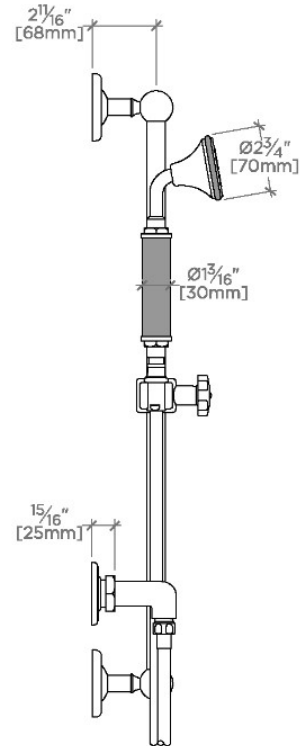


ADAPTER INCLUDED - INTERNATIONAL USE ONLY



FRONT VIEW

SCALE: 1/2"=1'-0"



SIDE VIEW

SCALE: 1/2"=1'-0"