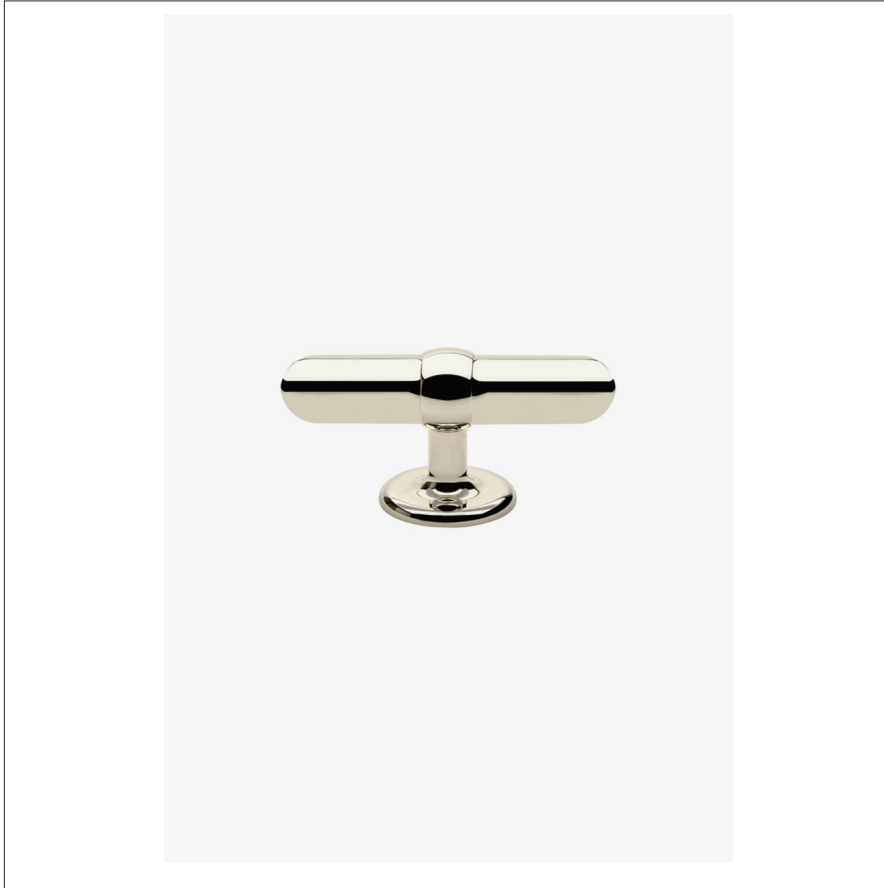


STOCKTON

Stockton 3" Metal Pull

SKHW04



TECHNICAL DETAILS

Height: 32 mm
Length: 76 mm

SHOWN IN STOCKTON 3" METAL PULL | SKHW04

INSPIRATION

The Stockton family of pulls combines hand-finished solid brass and solid walnut for a mid-twentieth century modern feel. With transitional appeal, these pieces share a streamlined flavor. Available in two-tone and solid metal finishes.

PRODUCT FEATURES

Mixed-finish solid brass

Walnut is protected with primer and wood lacquer

Solid brass is hand-polished

Includes per fixing: 8-32 Truss Head Machine Screw-Combo-Slotted

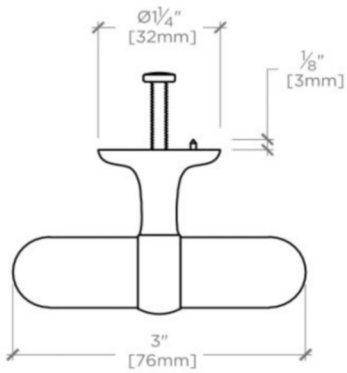
WATERWORKS

STOCKTON

Stockton 3" Metal Pull

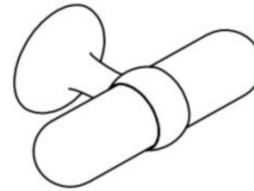
SKHW04

MOUNTING HARDWARE INCLUDED		
STYLE #	DESCRIPTION	QTY
998945	Service Parts 8-32 1" Truss Head Machine Screw, Combo, Slotted	1
998946	Service Parts 8-32 1½" Truss Head Machine Screw, Combo, Slotted	1



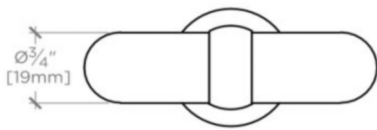
TOP VIEW

SCALE: 6"=1'-0"



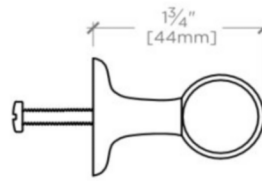
ISO VIEW

SCALE: 6"=1'-0"



FRONT VIEW

SCALE: 6"=1'-0"



SIDE VIEW

SCALE: 6"=1'-0"