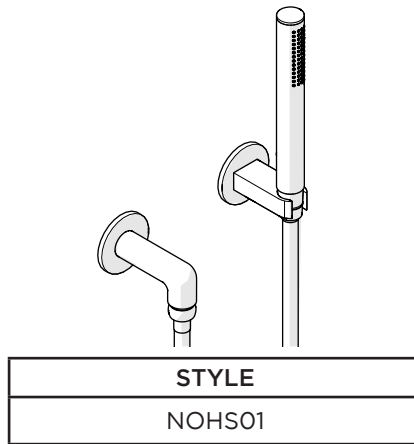


INSTALLATION GUIDELINES

HANDSHOWER

FINOT HANDSHOWER ON HOOK



IMPORTANT:

- To ensure this product is installed properly, you must read and follow these guidelines.
- The owner/user of this product must keep this information for future reference.
- This product must be installed by a professional licensed contractor and must be on-site prior to rough-in. This allows the installer to visualize the installation.
- Be sure your installation conforms to all federal, state, and local codes.
 - Anti-scald protection is the responsibility of the installer and according to applicable codes.
 - A water temperature limiting device is the responsibility of the installer and must be in accordance with ASSE 1070.
 - In the State of Massachusetts, all installations must comply with the rules and regulations set forth within 248 CMR.
- Inspect this product to ensure it is the correct model and you have all the parts required for proper installation.
- Product is sold partially assembled but shown fully disassembled for illustrative and service purposes only.
- Use only a strap wrench or protected/smooth-jaw wrench on any finished surface.
- The use of certain plumber's putty may stain stone or tile surfaces.
- If further assistance is required, please contact Product Support at 1-800-927-2120 Monday through Friday, 8am - 6pm EST.
- Refer to the separate Service Parts Documents for available replacement parts.

PRODUCT SUPPORT | 800.927.2120 | WATERWORKS.COM

WATERWORKS

TECHNICAL DETAILS:

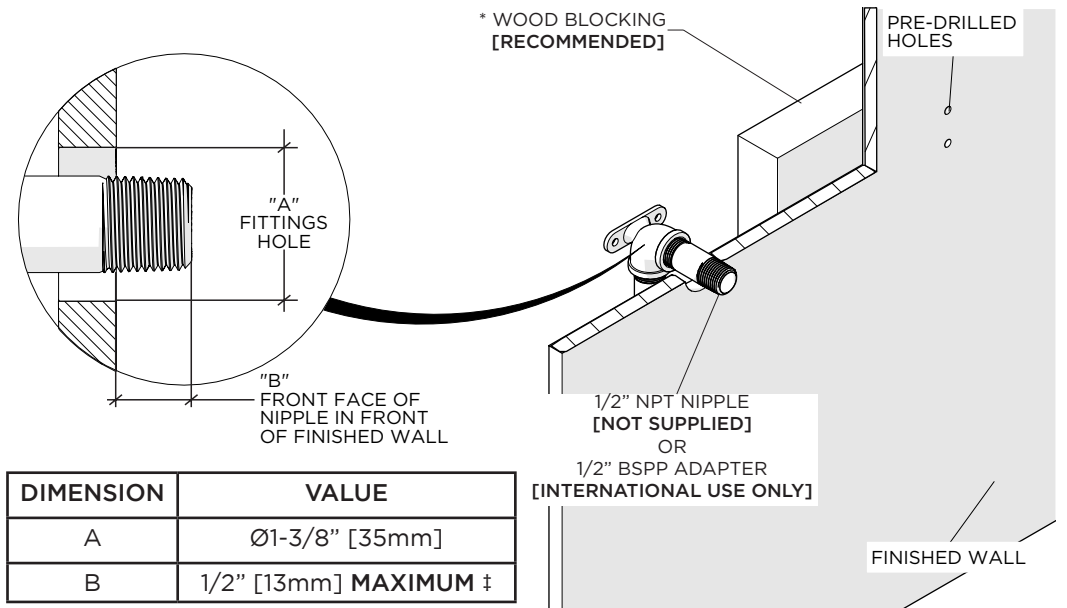
DETAIL	SPECIFICATION
ADJUSTABLE VERSUS FIXED SPRAY	FIXED
HANDSHOWER HOSE LENGTH	60" [1.5m]
INLET CONNECTION	1/2" FEMALE NPT †
INTEGRATED DIVERTER	NO
PIVOT	NO
WATER PRESSURE RANGE	20psi [1.5 bar] MIN , 85psi [6.0 bar] MAX
WATER PRESSURE RECOMMENDED	45psi [3.0 bar]

† For INTERNATIONAL USE ONLY,

- A 1/2" Male NPT x 1/2" Male BSPP Male ADAPTER (style No. UNUK04) is provided. The BSPP end of the ADAPTER may be field cut.

ROUGH-IN:

- Determine the ideal location for the HANDSHOWER and rough-in a well supported 1/2" NPT MALE NIPPLE (**not supplied**) of appropriate length.

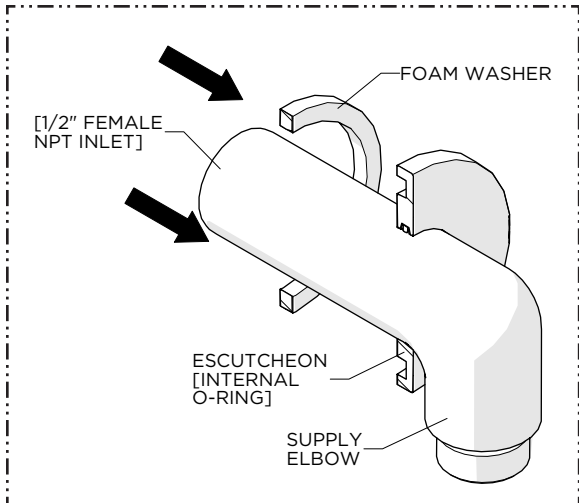


- ‡ The front face of the NIPPLE/ADAPTER must **NOT** project more than 1/2" [13mm] in order for the sliding ESCUTCHEON to properly fit onto the ELBOW.

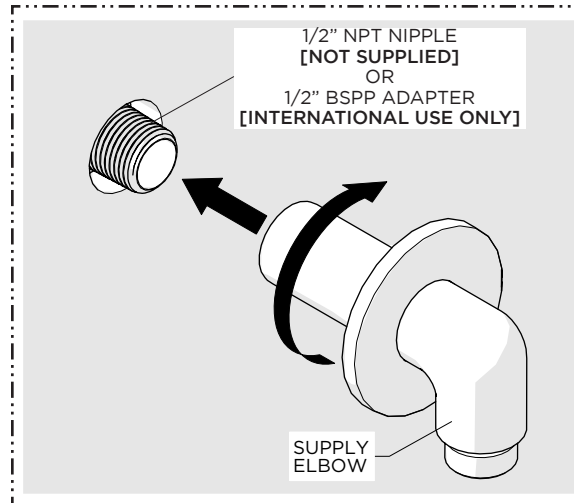
INSTALLATION GUIDELINES

HANDSHOWER

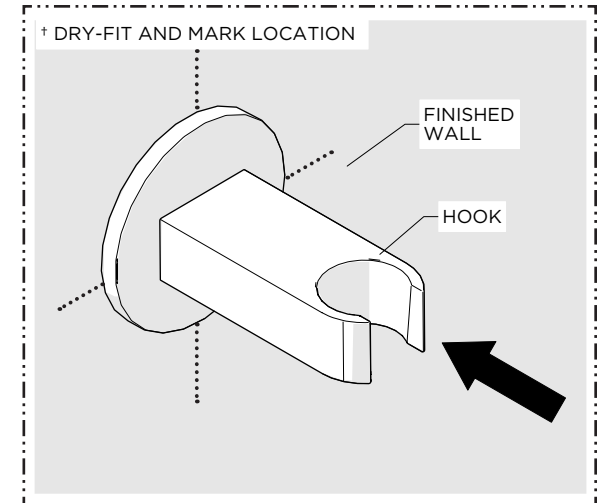
WATERWORKS



1. Slide the ESCUTCHEON and FOAM WASHER onto the SUPPLY ELBOW.

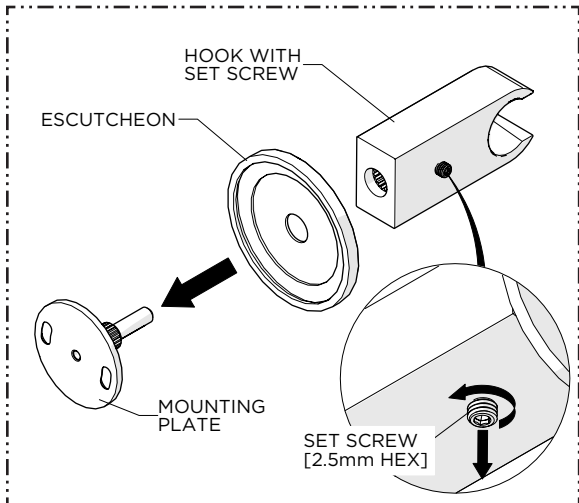


2. Thread and securely tighten the SUPPLY ELBOW onto the NIPPLE or BSPP ADAPTER.

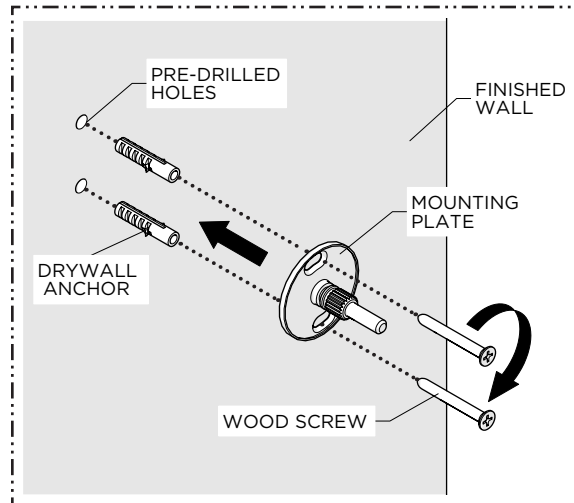


3. Dry-fit the HOOK to the finished wall and mark the ideal location for installation; preferably over adequate blocking or stud material.

NOTE: DRYWALL ANCHORS provided, if needed.

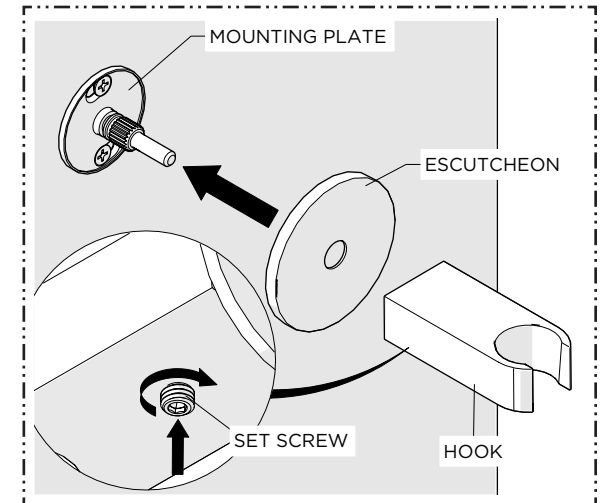


4. Loosen, but do **NOT** remove, the SET SCREW on the bottom of the HOOK and remove the MOUNTING PLATE and ESCUTCHEON.



5. Using the previous marks as a reference, install the MOUNTING PLATE using the ANCHORS (if blocking is not installed) and WOOD SCREWS provided.

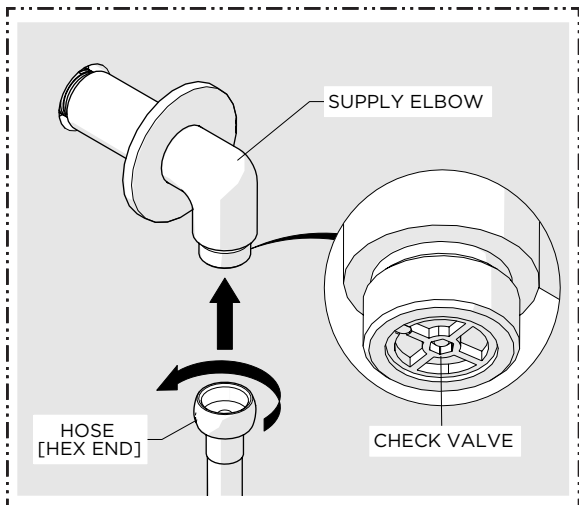
NOTE: The ANCHORS provided are intended for use only in a typical 1/2" drywall installation.



6. Slide the ESCUTCHEON and HOOK over the MOUNTING PLATE then securely tighten the SET SCREW.

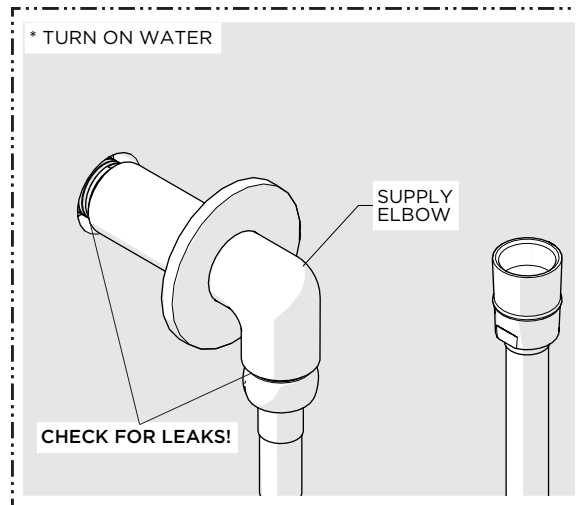
INSTALLATION GUIDELINES

HANDSHOWER

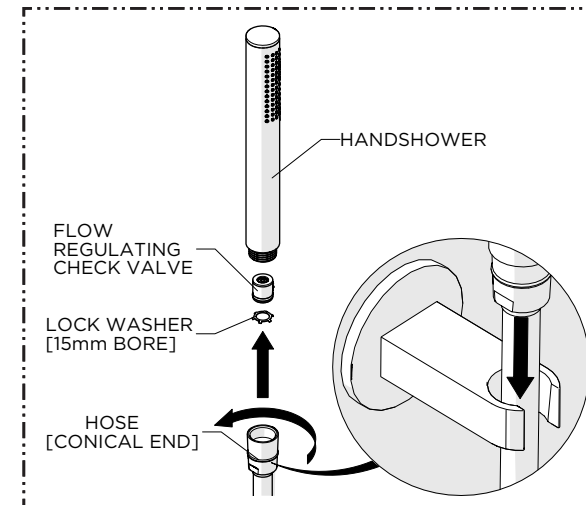


7. Thread and securely tighten the hex end of the HOSE to the ELBOW.

NOTE: A CHECK VALVE is located in the outlet of the ELBOW.

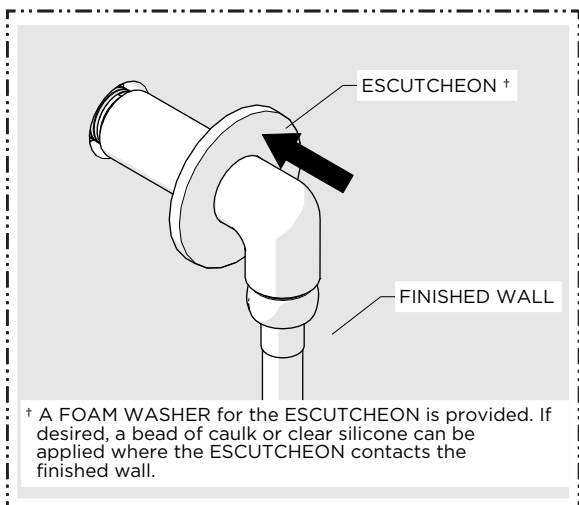


8. Turn on the water and a diverter/wall valve (**sold separately**) to flush out any debris in the supply line and inspect all connections for leaks then turn the water off.



9. Thread and securely tighten the conical end of the HOSE to the HANDSHOWER then place it into the HOOK.

NOTE: A FLOW REGULATING CHECK VALVE is located in the inlet of the HANDSHOWER.



10. Slide the ESCUTCHEON down the SUPPLY ELBOW until it contacts the finished wall.

† A FOAM WASHER for the ESCUTCHEON is provided. If desired, a bead of caulk or clear silicone can be applied where the ESCUTCHEON contacts the finished wall.