

BOND

BLS47A

Bond Tandem Series One Hole Lavatory Faucet with Guilloche Lines Lever Handle



SHOWN IN BOND TANDEM SERIES ONE HOLE LAVATORY FAUCET WITH GUILLOCHE LINES LEVER HANDLE | BLS47A

TECHNICAL DETAILS

ADA Compliance: Yes
 Deck Thickness Maximum: 1 5/16"
 Deck Thickness Minimum: 1/4"
 Drain Depth Maximum: 2 5/8"
 Drain Depth Minimum: 3/8"
 Drain Hole Diameter: 1 3/4"
 Drain Style: Push Touch
 Fittings Hole Diameter: 1 3/8"
 Flow Restriction Options: 1.2
 Handle Turn Angle: Quarter Turn
 Inlet Connection Size: 3/8"
 Inlet Connection Type: Compression Connection Hoses
 Number Of Holes: One Hole
 Primary Material: Brass
 Restricted Maximum Flow Rate: 1.2 gpm
 Spout Swivel: Y
 Valve Material: Ceramic
 Water Pressure Maximum: 85.0 psi
 Water Pressure Minimum: 20.0 psi
 Water Pressure Recommended: 45.0 psi

INSPIRATION

Modern designs infused with rare soul and artistry. Explore our wide range of Bond bath and kitchen elements, from fittings to fixtures to hardware.

CODES & STANDARDS

BLS47AX, NSF/ANSI/CAN 61:Q < 1, NSF/ANSI/CAN 372, ASME A112.18.1/CSA B125.1, CEC, State of MA

PRODUCT FEATURES

- Lever Handle
- Includes European size push touch drain
- Features Linear Guilloche Etching Handle
- Stocked in Nickel and Brass
- Available in 1.2gpm (4.5L/min) flow rate

CERTIFICATIONS

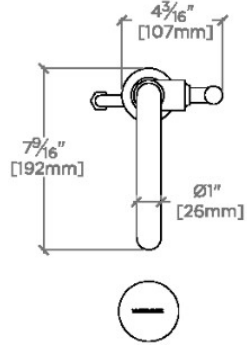


PRODUCT (NOTES)

BOND

BLS47A

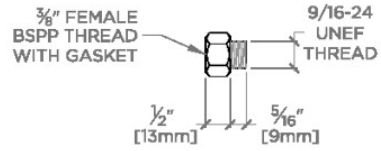
Bond Tandem Series One Hole Lavatory Faucet with
Guilloche Lines Lever Handle



TOP VIEW

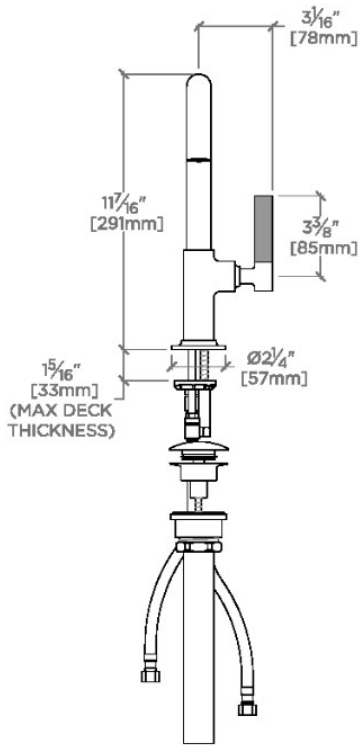
SCALE: 1 1/2"=1'-0"

† 2 ADAPTERS SUPPLIED
INTERNATIONAL USE ONLY



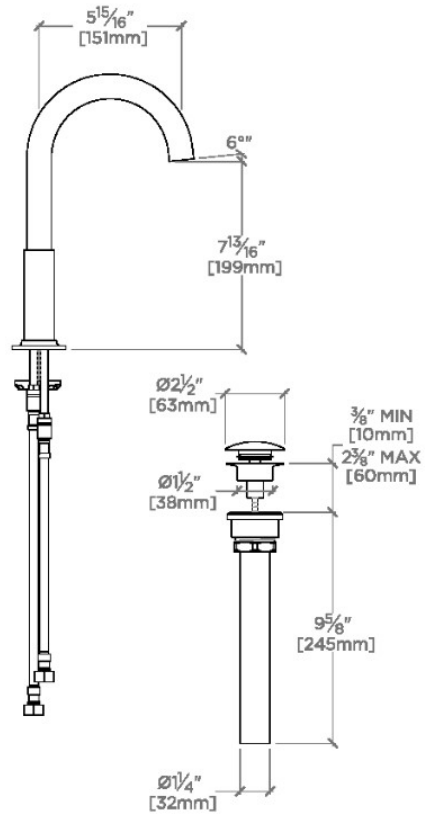
BSPP ADAPTER †

NOT TO SCALE



FRONT VIEW

SCALE: 1 1/2"=1'-0"



SIDE VIEW

SCALE: 1 1/2"=1'-0"