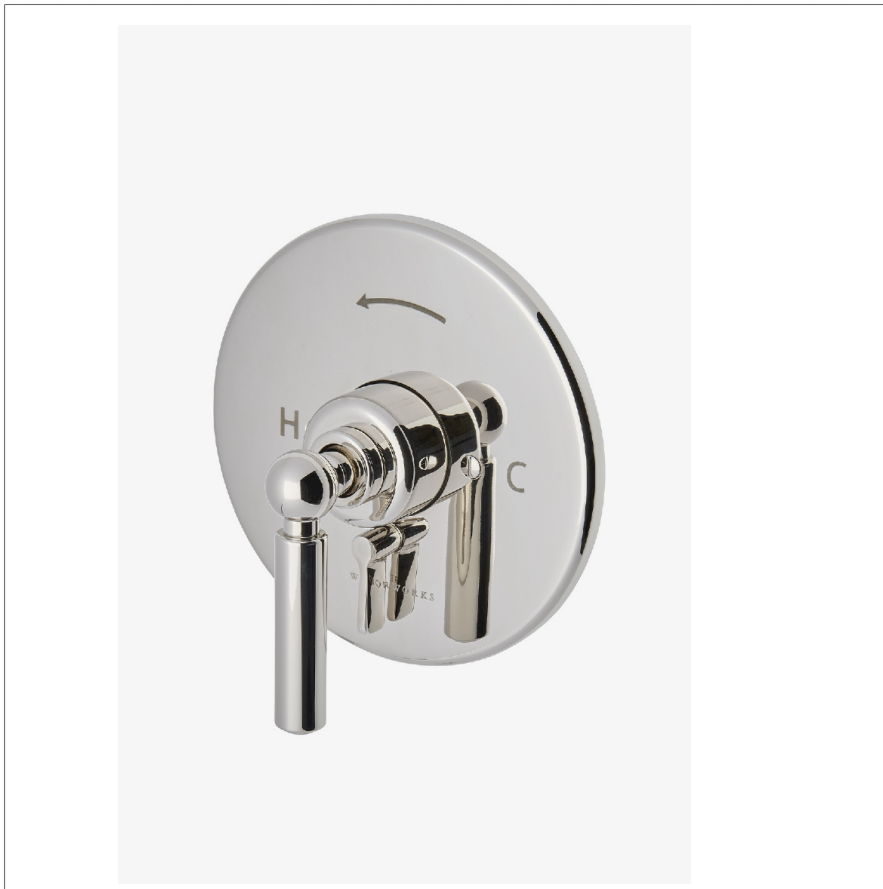


Ludlow

LDPB35

Ludlow Volta Pressure Balance with Diverter Trim with Lever Handle



SHOWN IN LUDLOW VOLTA PRESSURE BALANCE WITH DIVERTER TRIM WITH LEVER HANDLE | LDPB35

TECHNICAL DETAILS

ADA Compliance: Yes
 Fittings Hole Diameter: 89 mm
 Primary Material: Brass

INSPIRATION

Our fresh take on American industrial design features comes in two styles, each of them clean-lined, versatile and unique to Waterworks. Choose from original Ludlow, featuring a square plate and exposed screws, and Ludlow Volta, with a round escutcheon for a softer, more transitional feel.

CODES & STANDARDS

ASME A112.18.1/CSA B125.1, State of MA

PRODUCT FEATURES

Lever Handle

Adjust the single handle control to switch water on and adjust temperature

Stocked in a Chrome, Nickel and Brass

Requires valve rough GUPB87

CERTIFICATIONS

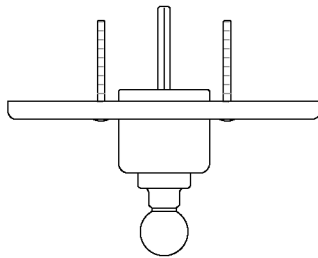


PRODUCT (NOTES)

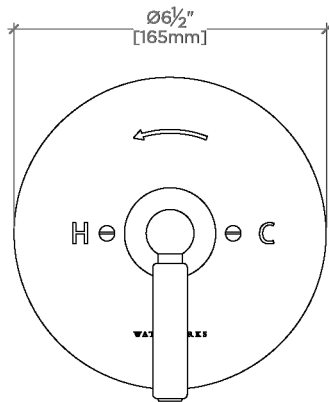
Ludlow

LDPB35

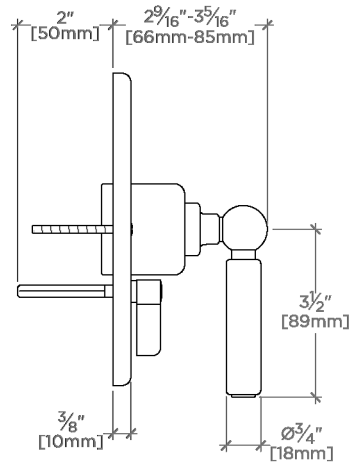
Ludlow Volta Pressure Balance with Diverter Trim with Lever Handle



TOP VIEW SCALE: 3"=1'-0"



FRONT VIEW SCALE: 3"=1'-0"



SIDE VIEW SCALE: 3"=1'-0"