

Rhea

RHWS01

Rhea Marble Two Leg Single Washstand with Top and Sink
42" x 24" x 35"



SHOWN IN RHEA MARBLE TWO LEG SINGLE WASHSTAND WITH TOP AND SINK 42" X 24" X 35" | RHWS01

TECHNICAL DETAILS

ADA Compliance: No
Bowl Shape: Rectangular
Drain Hole Depth: 35 mm
Drain Hole Diameter: 46 mm
Height: 889 mm
Installation Type: Freestanding
Leg Material: Marble
Length: 1067 mm
Overflow Opening: Yes

INSPIRATION

A substantial and sculptural modern washstand, crafted from the finest marble: Arabescato, Carrara, Bardiglio or Nero Marquina, or in any combination that you specify. Glass and solid brass accents add unique dimension to the contemporary theme.

CODES & STANDARDS

PRODUCT FEATURES

Italian Marble

Offered in Honed Arabescato, Honed Carrara or a combination of Honed Carrara/Bardiglio/Nero stones (shown)

Slab and sink included

Includes Glass shelf with brass accents

Stone and stone finish are customizable

CERTIFICATIONS

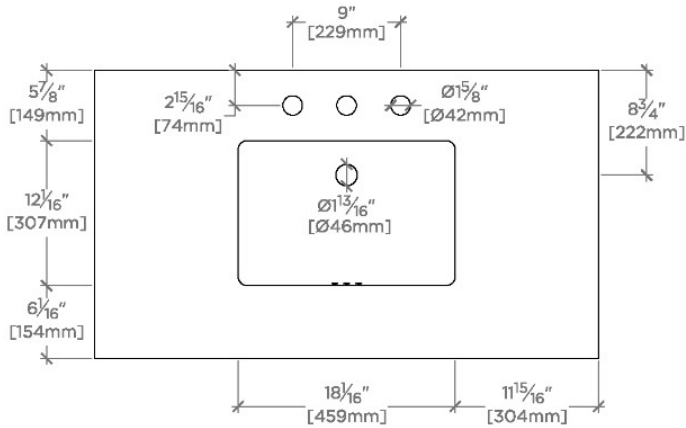
PRODUCT (NOTES)

WATERWORKS

Rhea

RHWS01

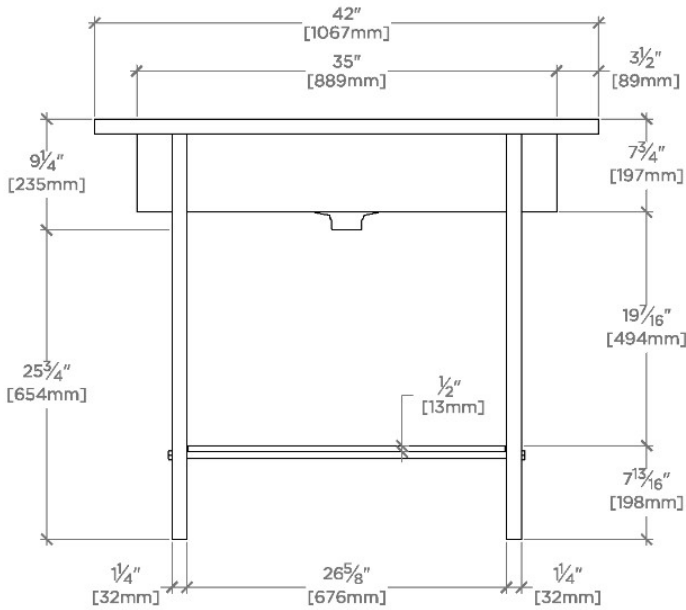
Rhea Marble Two Leg Single Washstand with Top and Sink
42" x 24" x 35"



TOP VIEW

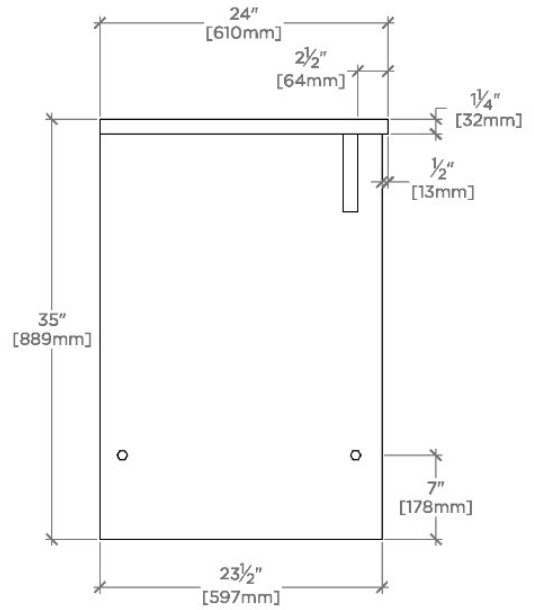
SCALE: 3/4"=1'-0"

* SHOWN WITH CLARA UNDERMOUNT SINK
STYLE No. - CYLV20



FRONT VIEW

SCALE: 3/4"=1'-0"



SIDE VIEW

SCALE: 3/4"=1'-0"