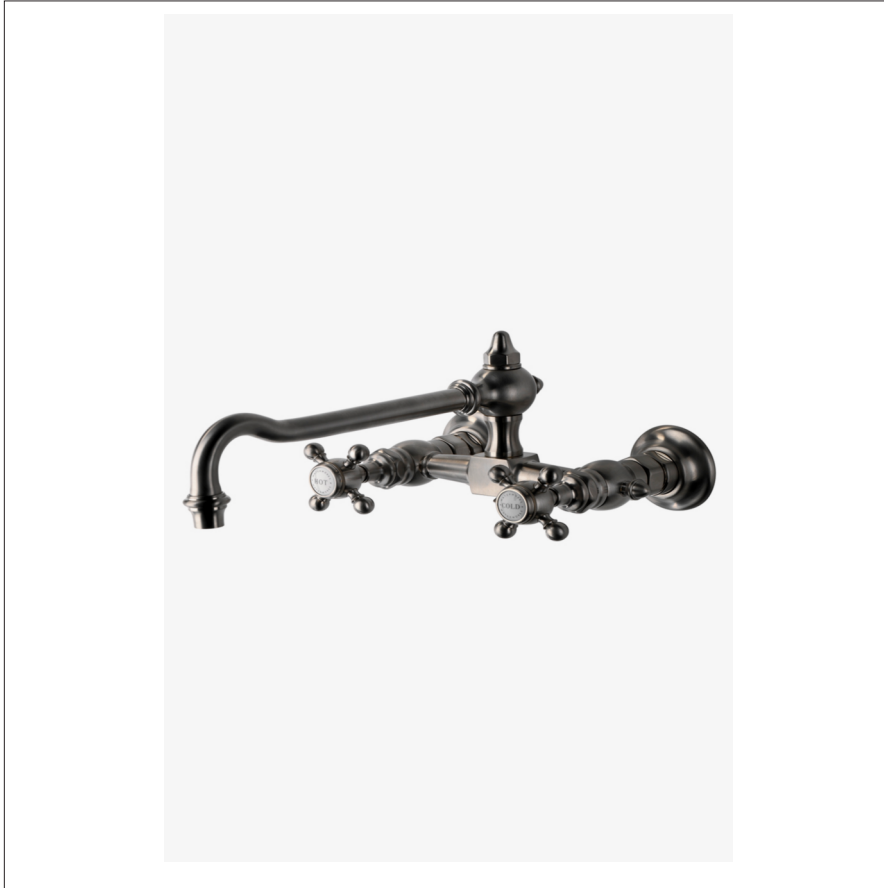


# WATERWORKS

## JULIA

JU02KM

Julia Wall Mounted Two Hole Bridge Low Profile Kitchen Faucet,  
Metal Cross Handles



SHOWN IN JULIA WALL MOUNTED TWO HOLE BRIDGE LOW PROFILE KITCHEN FAUCET, METAL CROSS HANDLES| JUKM02

### TECHNICAL DETAILS

ADA Compliance: Yes  
Adjustable versus Fixed Spray: Fixed Spray  
Escutcheon Primary Material: Brass  
Fittings Hole Diameter: 29 mm  
Flow Restriction Options: 1.5, 1.0  
Handle Spread Maximum: 152 mm  
Handle Spread Minimum: 152 mm  
Handle Turn Angle: Quarter Turn  
Index Color / Finish and Material: White Porcelain  
Depth / Width: 318 mm  
Height: 133 mm  
Index Marking: Hot/Cold  
Inlet Connection Size: 1/2"  
Inlet Connection Type: Male G/BSPP  
Inlet Supply Spread Maximum: 162 mm  
Inlet Supply Spread Minimum: 143 mm  
Installation Type: Wall Mounted  
Length: 216 mm  
Number of Handles: Two  
Number of Holes: Two Hole  
Primary Material: Brass  
Restricted Maximum Flow Rate: 8.3 liters/min  
Spout Swivel: Y  
Spray Included in Unit: N  
Suggested Application: Bar, Kitchen, Laundry  
Valve Material: Ceramic  
Water Pressure Maximum: 6.0 bar  
Water Pressure Minimum: 1.5 bar  
Water Pressure Recommended: 3.0 bar

### INSPIRATION

An interpretation of 1920s French country, Julia speaks to decoration and intricate design displayed through beautifully composed turnings. These details embody the robust, signature high profile spout enabling Julia to transition fluidly from informal to formal environments.

### CODES & STANDARDS

Code # : ASME A112.18.1 / CSA B125.1, NSF, IAPMO, State of MA

### PRODUCT FEATURES

Features signature detail of the graceful, high profile swivel spout.

Cross handles feature hot and cold markings on white porcelain indices

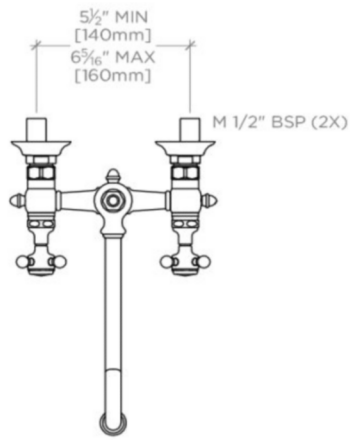
Standard flow rate is 2.2gpm (8.3 L/min). Also available in high efficiency flow options. Contact your sales associate or call 1 (800) 899-6757 for details.

# WATERWORKS

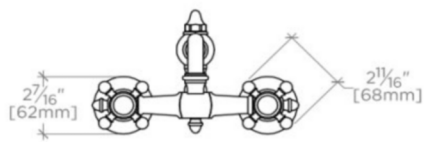
## JULIA

JU02KM

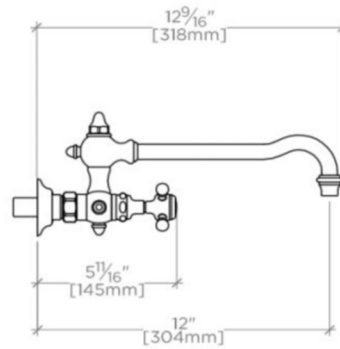
Julia Wall Mounted Two Hole Bridge Low Profile Kitchen Faucet,  
Metal Cross Handles



TOP VIEW SCALE: 1/2"=1'-0"



FRONT VIEW SCALE: 1/2"=1'-0"



SIDE VIEW SCALE: 1/2"=1'-0"