

## BOULEVARD

## BDSH71

Boulevard 3 1/2" Shower Head, Arm and Flange



SHOWN IN BOULEVARD 3 1/2" SHOWER HEAD, ARM AND FLANGE| BDSH71

### TECHNICAL DETAILS

Adjustable versus Fixed Spray: Adjustable Spray  
Diameter of Head: 3 1/2"  
Escutcheon Primary Material: Brass  
Fittings Hole Diameter: 1 3/8"  
Flow Restriction Options: 2.5, 2.0, 1.75, 1.5  
Depth / Width: 12"  
Height: 7"  
Inlet Connection Size: 1/2"  
Inlet Connection Type: Male NPT  
Integrated Diverter: N  
Length: 4"  
Pivot: Y  
Primary Material: Brass  
Suggested Application: Bath  
Water Pressure Maximum: 85.0 psi  
Water Pressure Minimum: 20.0 psi  
Water Pressure Recommended: 45.0 psi

### INSPIRATION

Inspiration from 1930s objects evokes extravagance: a strong silhouette, lavish scale and elegant decoration. Machine and artisan hands yield crisp details and curves.

### CODES & STANDARDS

Code # BDSH71: ASME A112.18.1 / CSA B125.1, IAPMO, State of MA, CEC

### PRODUCT FEATURES

Swiveling 3 1/2" Showerhead with adjustable spray  
Solidly sized and generous in scale, decorative elements convey a sense of substance  
Stocked in Nickel and Unlacquered Brass  
Stocked in 2.5gpm (9.5L/min) flow rate. Alternate flow regulation of 1.75gpm (6.6/min) also available as special order

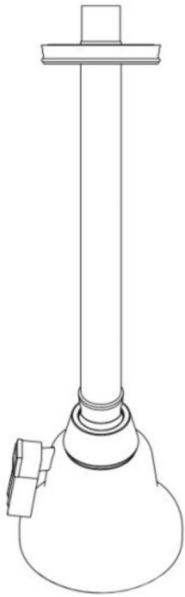
### CERTIFICATIONS



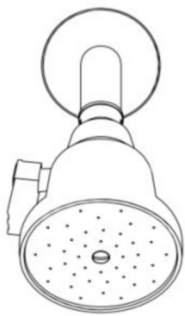
## BOULEVARD

BDSH71

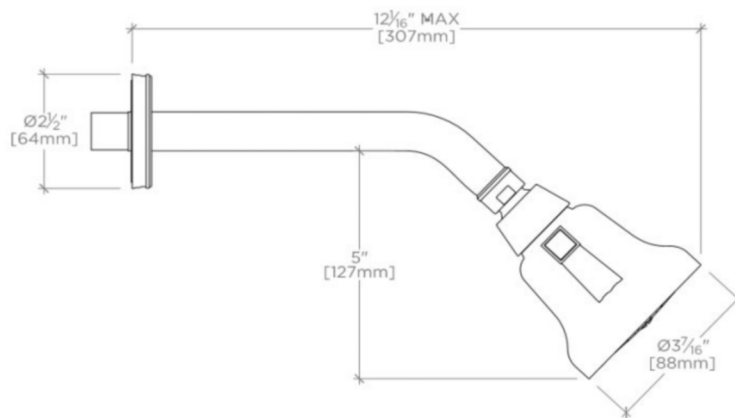
Boulevard 3 1/2" Shower Head, Arm and Flange



TOP VIEW SCALE: 3"=1'-0"



FRONT VIEW SCALE: 3"=1'-0"



SIDE VIEW SCALE: 3"=1'-0"