

EASTON

Easton Classic Wall Mounted Tub Spout

EA82TS



SHOWN IN EASTON CLASSIC WALL MOUNTED TUB SPOUT | EATS82

TECHNICAL DETAILS

Adjustable versus Fixed Spray: Fixed Spray
Escutcheon Primary Material: Brass
Fittings Hole Diameter: 35 mm
Depth / Width: 197 mm
Height: 76 mm
Inlet Connection Size: 3/4"
Inlet Connection Type: Male G/BSPP
Installation Type: Wall Mounted
Length: 76 mm
Primary Material: Brass
Spout Reach: 7 1/8"
Spout Swivel: N
Suggested Application: Bath
Water Pressure Maximum: 5.5 bar
Water Pressure Minimum: 1.5 bar
Water Pressure Recommended: 3.0 bar

INSPIRATION

Drawing on Edwardian style, Easton is the most extensive Waterworks family; a range of moods and a selection of products from fittings to furniture.

CODES & STANDARDS

Code # : ASME A112.18.1, CSA B125, IAPMO, State of MA

PRODUCT FEATURES

Brass metal is used for all trim and valve components

The manufacturing process encompasses casting, turning, forging, hand-fitting and hand polishing.

Easton is our most comprehensive fittings family.

Easton has a clean-lined utilitarian profile, with a slightly elongated spout.

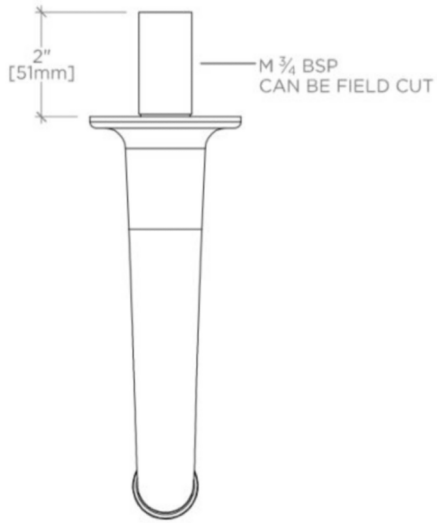
WATERWORKS

EASTON

EA82TS

Easton Classic Wall Mounted Tub Spout

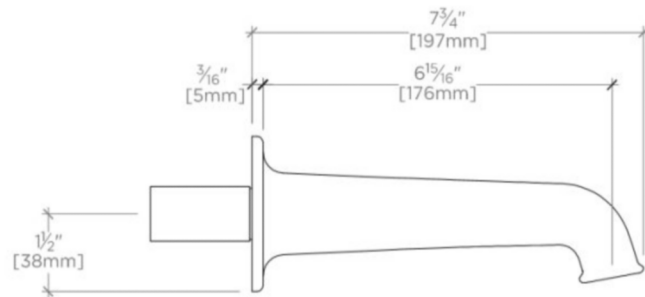
ADAPTER(S) PACKAGED SEPARATELY		
ADAPTER	DESCRIPTION	QTY
UNUK06	3/4" NPT Male x 3/4" Male Nipple 50mm Long BSP	1



TOP VIEW SCALE: 3"=1'-0"



FRONT VIEW SCALE: 3"=1'-0"



SIDE VIEW SCALE: 3"=1'-0"