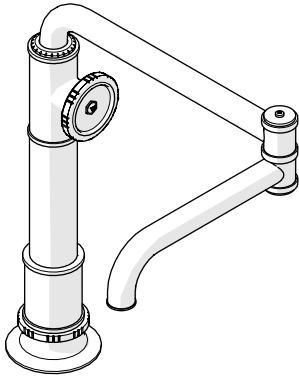


INSTALLATION GUIDELINES

DECK MOUNTED ARTICULATED POT FILLER

HENRY CHRONOS DECK MOUNTED ARTICULATED POT FILLER WITH WHEEL HANDLE



STYLE
CPF201

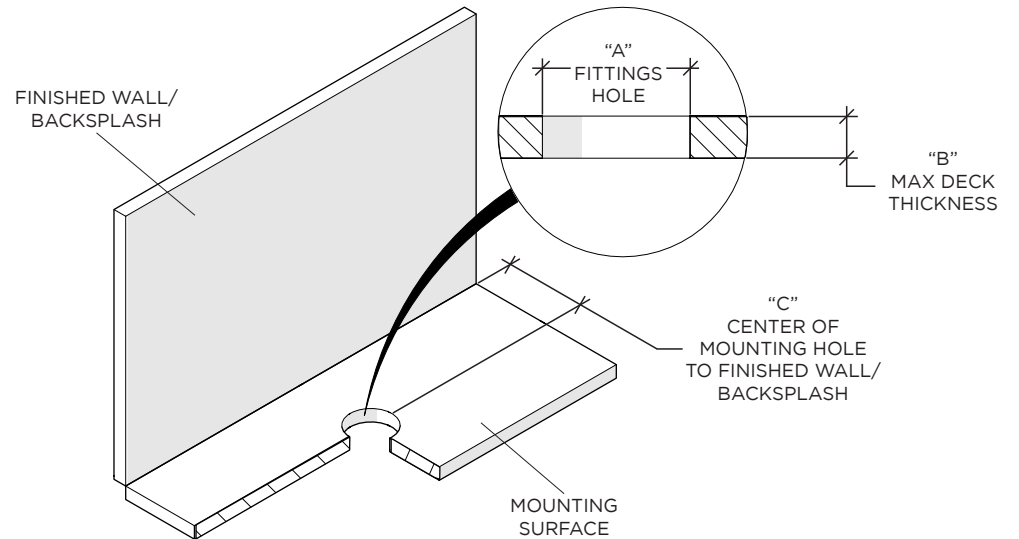
IMPORTANT:

- To ensure this product is installed properly, you must read and follow these guidelines.
- The owner/user of this product must keep this information for future reference.
- This product must be installed by a professional licensed contractor.
- Be sure your installation conforms to all federal, state, and local codes. In the State of Massachusetts, all installations must comply with the rules and regulations set forth within 248 CMR.
- Inspect this product to ensure you have all the parts required for proper installation. Product is **sold partially** assembled but shown fully disassembled for illustrative and service purposes only.
- Use only a strap wrench or protected/smooth-jaw wrench on any finished surface.
- The use of certain plumber's putty may stain stone or tile surfaces.
- If further assistance is required, please contact Product Support at 1-800-927-2120 Monday through Friday, 8am - 6pm EST.
- Refer to the separate Service Parts Documents for available replacement parts.

TECHNICAL DETAILS:

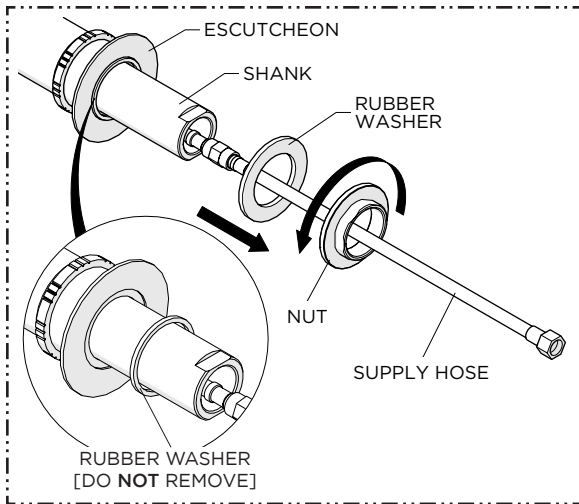
DETAIL	SPECIFICATION
HANDLE TURN ANGLE	QUARTER TURN
INLET CONNECTION	3/8" COMPRESSION CONNECTION HOSES
SPOUT SWIVEL	YES
SPOUT REACH	20-1/16" [510mm]
FITTINGS HOLE DIAMETER	Ø1-3/4" [45mm]
WATER PRESSURE RANGE	20psi [1.5 bar] MINIMUM
	85psi [6.0 bar] MAXIMUM
WATER PRESSURE RANGE RECOMMENDED	45psi [3.0 bar]

DIMENSIONS	VALUE
A	1-3/4" [45mm]
B	2-5/8" [67mm] MAX
C	3" [76mm] MIN



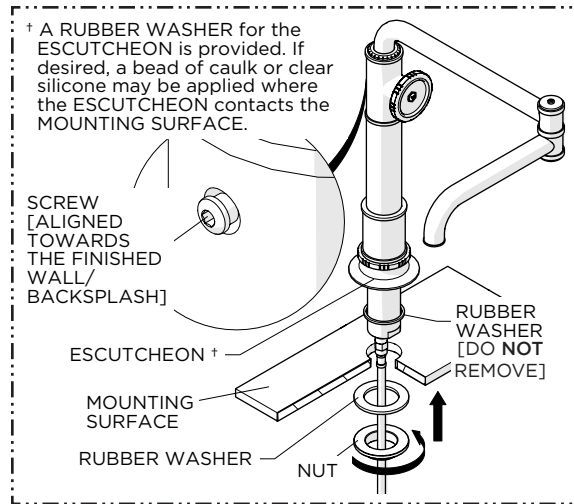
INSTALLATION GUIDELINES

DECK MOUNTED ARTICULATED POT FILLER

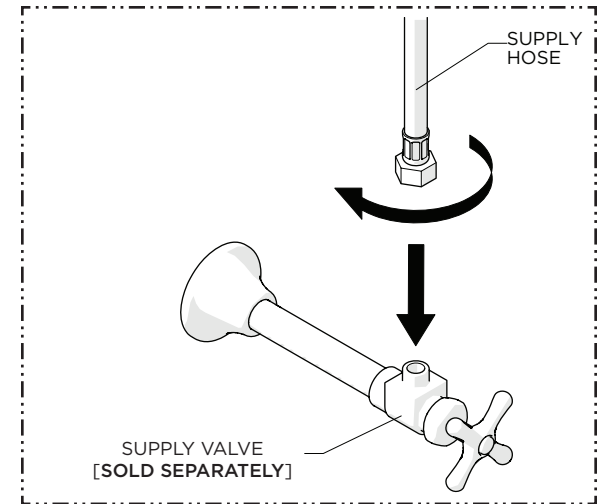


1. Unthread and remove the NUT and RUBBER WASHER from the SHANK.

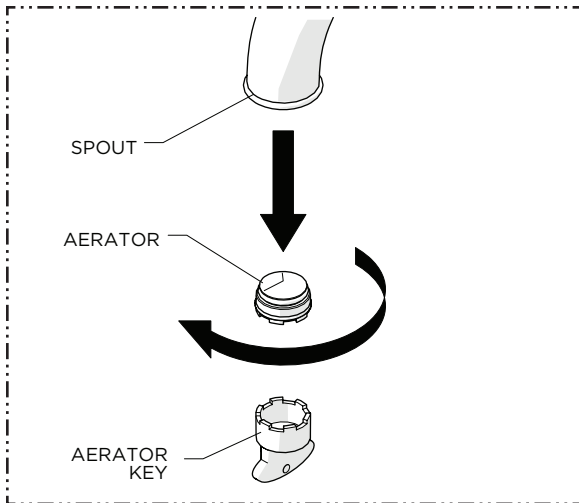
NOTE: Do **NOT** remove the RUBBER WASHER beneath the ESCUTCHEON.



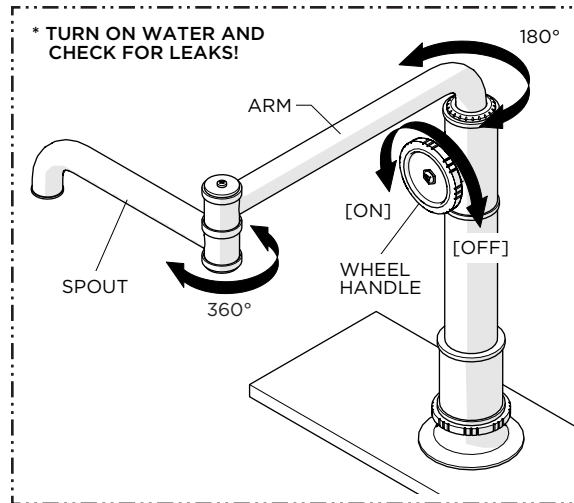
2. Insert the SPOUT through the hole on the MOUNTING SURFACE making sure the SCREW on the SPOUT COLUMN is aligned towards the finished wall then using the RUBBER WASHER provided thread and securely tighten the NUT onto the SHANK.



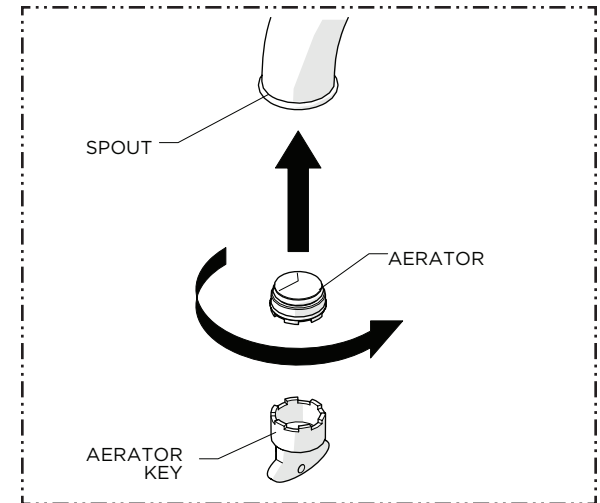
3. Connect the SUPPLY HOSE to the SUPPLY VALVE (sold separately) making sure it is not pinched/kinked.



4. Using the TOOL provided, remove the AERATOR.



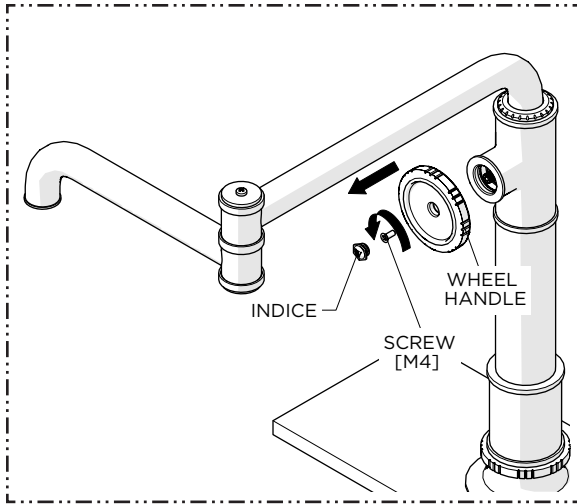
5. Turn on water and operate HANDLE and SPOUT to ensure they function properly and to flush out any debris in the SUPPLY LINE then check all connections for **leaks** and turn off the water.



6. Re-install the AERATOR.

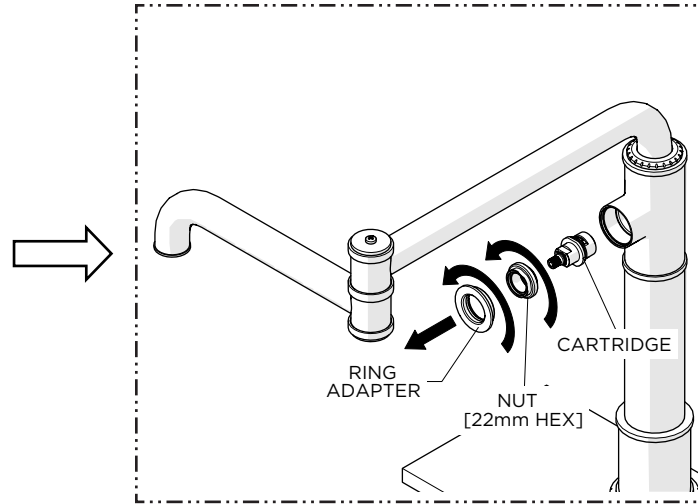
SERVICE GUIDELINES

DECK MOUNTED ARTICULATED POT FILLER

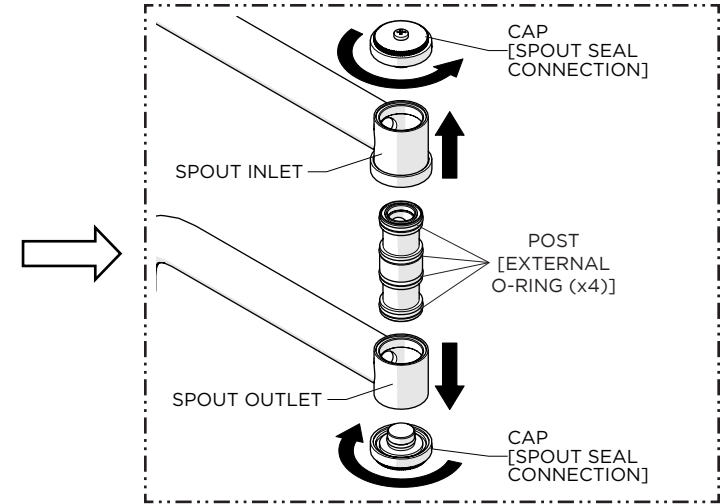


SERVICING THE CARTRIDGE:

1. Remove the INDICE, then unthread the SCREW to remove the WHEEL HANDLE.

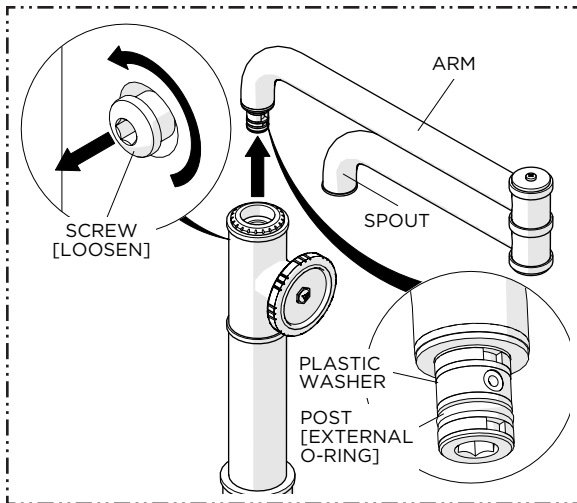


2. Unthread the RING ADAPTER to expose the NUT and CARTRIDGE then unthread the NUT and remove the CARTRIDGE.



SERVICING THE SPOUT:

1. Unthread both top and bottom CAPS to remove the SPOUT and expose the POST.



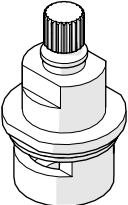
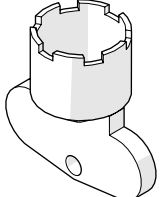
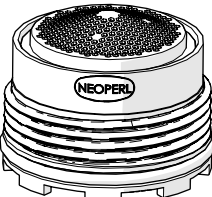
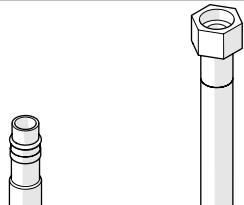

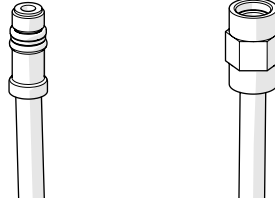
SERVICING THE ARTICULATED ARM:

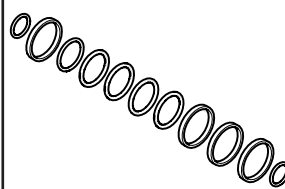
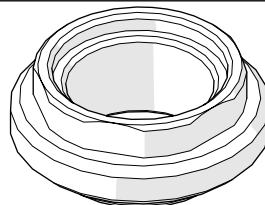
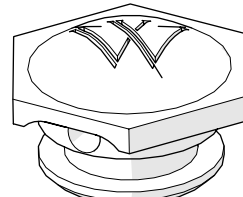
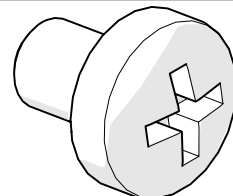
1. LOOSEN, but do **NOT** remove, the SCREW at the base of the ARM then remove the ARM to expose the POST with the PLASTIC BUSHING and external O-RING.

SERVICE GUIDELINES

DECK MOUNTED ARTICULATED POT FILLER

SERVICE PARTS:

	PART No.	DESCRIPTION
	100604	RIGHT TURN CLOSE CARTRIDGE
	999191	AERATOR KEY
	101107	AERATOR
	100271	SUPPLY HOSE [M10 MALE x 3/8" COMPRESSION FEMALE (9/16-24 UNEF)]
	101109	LOWER SPOUT SEAL KIT [O-RINGS (x1), BUSHINGS (x2), AND RETAINING CLIP (x1)]
	101110	15-3/4" SUPPLY HOSE [M10 M x M10 M, LENGTH WITH M10 F x M10 F ADAPTER]

	PART No.	DESCRIPTION
	101111	UPPER SPOUT SEAL KIT [O-RINGS (x7) AND BUSHINGS (x4)]
	101112	CARTRIDGE RETAINING NUT
	CNU002	HEX INDICE
	101118	SCREW [M4 x 6]

SERVICE GUIDELINES

DECK MOUNTED ARTICULATED POT FILLER

WATERWORKS

