

## REGULATOR

RGKM21

Regulator Gooseneck Kitchen Faucet with Wheel Handle and Spray



SHOWN IN REGULATOR GOOSENECK KITCHEN FAUCET WITH WHEEL HANDLE AND SPRAY | RGKM21

### TECHNICAL DETAILS

Deck Thickness Maximum: 2 1/16"  
 Deck Thickness Minimum: 1/4"  
 Depth/Width: 12 3/8"  
 Handle Spread Maximum: 12"  
 Handle Spread Minimum: 6"  
 Handle Turn Angle: Quarter Turn Each Way  
 Handshower Spray Hose Length: 49"  
 Height: 15 7/8"  
 Inlet Connection Size: 3/8"  
 Inlet Connection Type: Compression Connection Hoses  
 Integrated Diverter: Y  
 Length: 17 13/16"  
 Primary Material: Brass  
 Spout Swivel: Y  
 Spray Included In Unit: Y  
 Suggested Application: Bar, Kitchen, Laundry  
 Valve Material: Ceramic  
 Water Pressure Maximum: 85.0 psi  
 Water Pressure Minimum: 20.0 psi  
 Water Pressure Recommended: 45.0 psi

### INSPIRATION

A play on industrial controls from the early 1900s, when pride was lavished on parts. Translated to handcrafted, fittings project rugged beauty through powerful, detailed shapes.

### CODES & STANDARDS

RGKM21-F,RX, NSF/ANSI/CAN 61:Q < 1, NSF/ANSI/CAN 372, CEC

### PRODUCT FEATURES

Casted brass temperature mixing valve. The user rotates the center control handle for preferred temperature.

Solid brass wheel handles finished in matte black to control on/off/volume.

Built-in automatic diverters for spray operation.

Standard flow rate is 2.2gpm (8.3 L/min) and State of California requires a maximum of 1.8gpm(6.8 L/min). Also available in high efficiency flow options. Contact a sales associate for details.

### CERTIFICATIONS

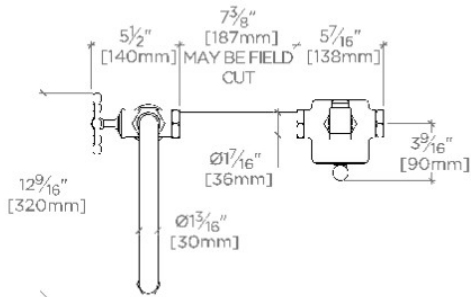
Drilling size requirements are 2 1/4" for mixing/spray  
 PRODUCT/NOTES: set body.

# WATERWORKS

## REGULATOR

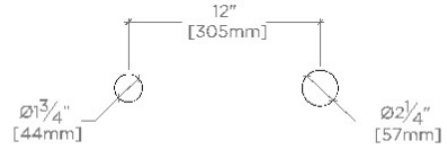
RGKM21

Regulator Gooseneck Kitchen Faucet with Wheel Handle and Spray



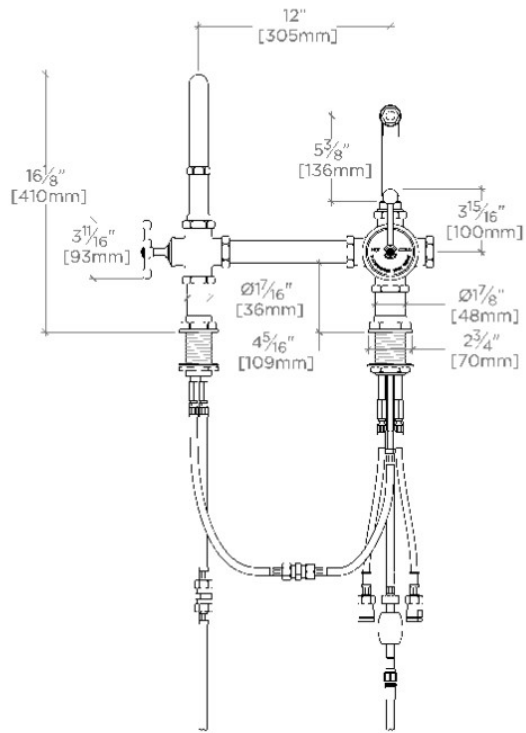
TOP VIEW

SCALE: 1"=1'-0"



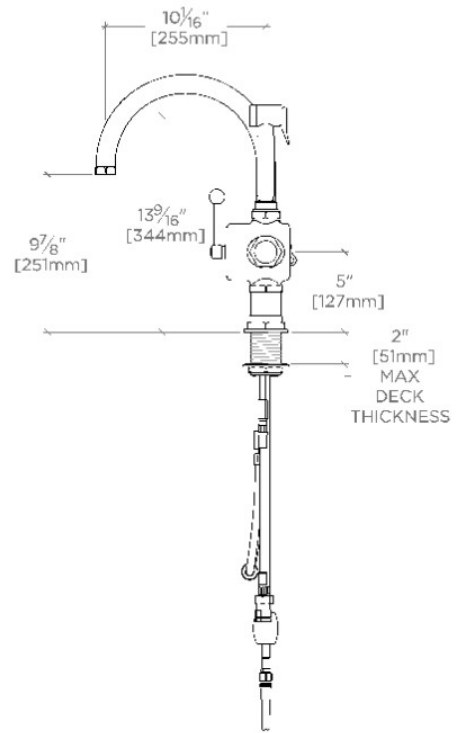
REQUIRED DRILLINGS

SCALE: 1"=1'-0"



FRONT VIEW

SCALE: 1"=1'-0"



SIDE VIEW

SCALE: 1"=1'-0"