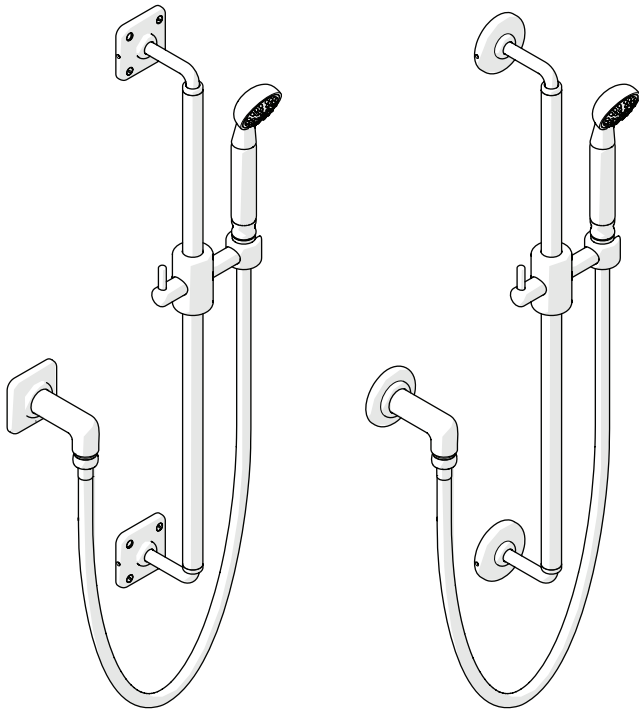


STYLE No. LDHS10

STYLE No. LDHS15  
(Volta)



**SPECIFICATIONS:**

Adjustable versus Fixed Spray: Fixed Spray  
 Diameter of Head: Ø2-1/16" [52mm]  
 Fittings Hole Diameter: 1-3/8" [35mm]  
 Handshower Hose Length: 60" [1.5m]  
 Inlet Connection: 1/2" Female NPT †  
 Integrated Diverter: No  
 Pivot: Yes  
 Water Pressure **Maximum:** 85psi [6.0 bar]  
 Water Pressure **Minimum:** 20psi [1.5 bar]  
 Water Pressure Recommended: 45.0psi [3.0 bar]

† FOR INTERNATIONAL USE, a 1/2" NPT Male x 1/2" BSPP Male ADAPTER (Style No. UNUK04) is provided. The BSPP end of the ADAPTER may be field cut.

**IMPORTANT:**

- **LDHS10 ONLY** - The SCREWS on the front of the ESCUTCHEONS are aesthetic only and do **not** serve any mechanical purpose and should **not** be removed.
- To ensure this product is installed properly, you must read and follow these guidelines.
- The owner/user of this product must keep this information for future reference.
- This product must be installed by a professional licensed contractor and must be on-site prior to rough-in. This allows the installer to visualize the installation.
- Be sure your installation conforms to all federal, state, and local codes. In the State of Massachusetts, all installations must comply with the rules and regulations set forth within 248 CMR.

- Inspect the product to ensure you have all the parts required for proper installation. Product is **sold partially** assembled but shown fully disassembled for illustrative and service purposes only.
- Use only a strap wrench or protected/smooth-jaw wrench on any finished surface.
- The use of certain plumber's putty may stain stone or tile surfaces.

**ROUGH-IN:**

- Determine the ideal location for the HANDSHOWER and rough-in a well supported 1/2" NPT MALE NIPPLE † (**not supplied**) of appropriate length.
- Adequate blocking in the wall is recommended for mounting the HANDSHOWER BAR using the 1-3/16" length WOOD SCREWS provided.
- DRYWALL ANCHORS, intended for use in a typical 1/2" drywall installation, are provided for situations where blocking is **not** installed.

**SUPPLY ELBOW INSTALLATION:**

1. Install a 1/2" NPT nipple (**not supplied**) of appropriate length and ensure the front face of the nipple protrudes 5/8" [16mm] from the finished wall. See Figure - 01.

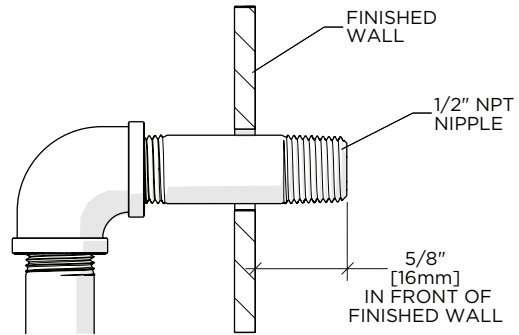


FIGURE - 01

2. Slide the ESCUTCHEON and O-RING down the SUPPLY ELBOW then thread and securely tighten the SUPPLY ELBOW onto the NPT NIPPLE.

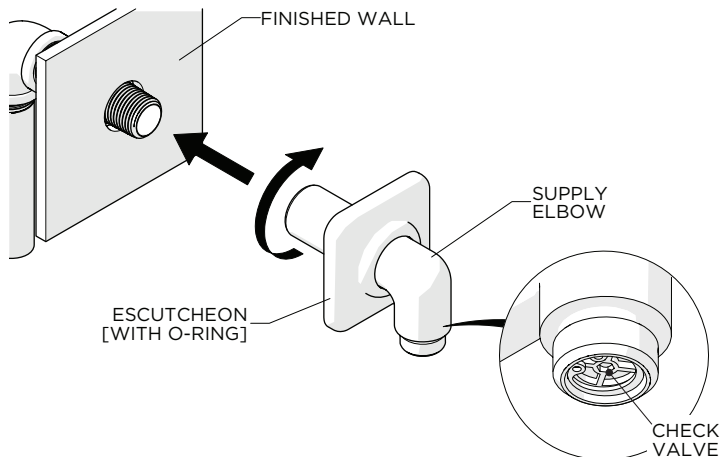
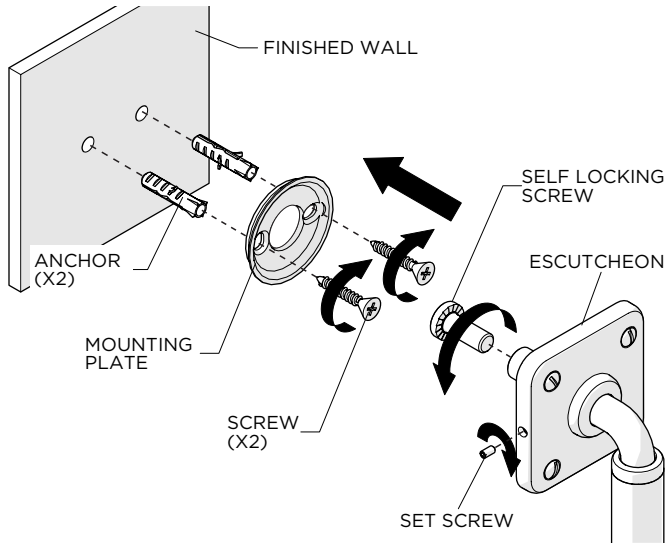


FIGURE - 02

These guidelines have been prepared for the professional contractor to aid in the installation of:  
 LUDLOW HANDSHOWER ON BAR (STYLE No. LDHS10) & LUDLOW VOLTA HANDSHOWER ON BAR (STYLE No. LDHS15)  
 All dimensions are based on original specification and are subject to change and variation.  
 Please consult your Design Associate for current specifications.

**BAR INSTALLATION:**

- See Figure - 03 for Steps 3 - 8.



**FIGURE - 03**

- Loosen the SET SCREWS on the ESCUTCHEONS using a 1.5mm hex key then slide the ESCUTCHEONS up the POSTS to expose the MOUNTING PLATES.
  - The SCREWS on the front of the ESCUTCHEONS are aesthetic only and do **not** serve any mechanical purpose and should **not** be removed.
- Dry-fit the BAR to the finished wall and mark the mounting hole locations making sure the BAR is level and the MOUNTING PLATES are at a 24" [610mm] on-center spread.
- Unthread the SCREWS holding the MOUNTING PLATES to the POSTS using a 3mm hex key and remove the PLATES.
- Attach the MOUNTING PLATES to the finished wall using the marks made in Step 4 with the ANCHORS and SCREWS provided.
- Insert the POSTS into the MOUNTING PLATES then thread and securely tighten the SCREWS with a 3mm hex key.
- Slide the ESCUTCHEONS down the POSTS until they contact the finished wall and align them with the SET SCREW either on the left or right side. Securely tighten the SET SCREW using a 1.5mm hex key.

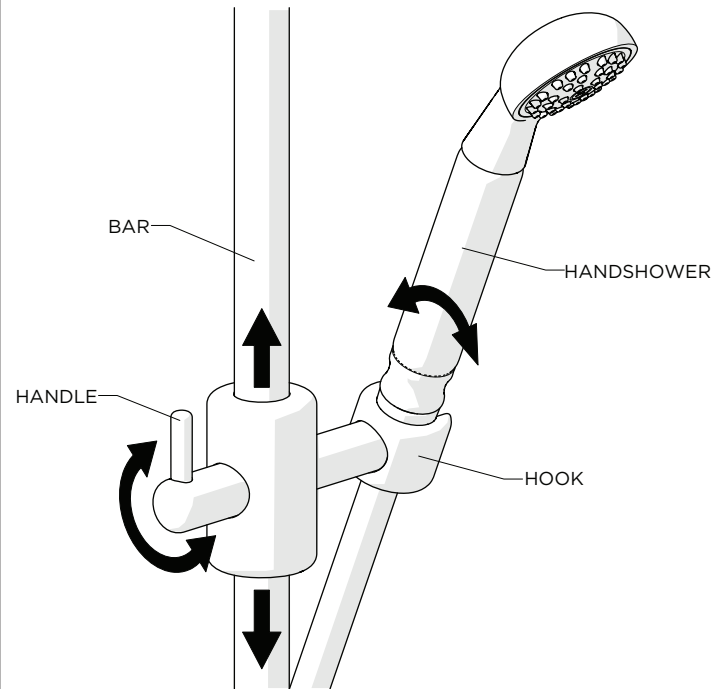
**FINISH AND INSPECT THE INSTALLATION:**

- Connect the hex end of the HOSE to the SUPPLY ELBOW then turn on the water supply and a diverter or wall valve (**sold separately**) to flush out any debris in the supply line.
- Inspect all connections for leaks and turn the water off.
- Slide the ESCUTCHEON down the SUPPLY ELBOW until it contacts the finished wall.

- Connect the conical end of the HOSE to the HANDSHOWER then place it into the adjustable HOOK.

- **NOTE:** A FLOW REGULATING CHECK VALVE is located in the inlet of the HANDSHOWER.

- To adjust the HOOK:
  - Height: Loosen the HANDLE then slide to the desired height and tighten the HANDLE. See Figure - 04.
  - Angle: The HOOK is held in place with friction and can be rotated to the desired angle. See Figure - 04.



**FIGURE - 04**

- If further assistance is required, please contact Product Support at 1-800-927-2120 (9am-6pm EST).
- Refer to the separate Service Parts Documents for available replacement parts.