

HENRY

HXT202

Henry Deck Mounted Exposed Tub Filler with Handshower and Two-Tone Cross Handles



SHOWN IN HENRY DECK MOUNTED EXPOSED TUB FILLER WITH HANDSHOWER AND TWO-TONE CROSS HANDLES | HXT202

TECHNICAL DETAILS

ADA Compliance: No
 Deck Thickness Maximum: 1 13/16"
 Deck Thickness Minimum: 1/4"
 Fittings Hole Diameter: 1 3/8"
 Handle Spread Maximum: 8"
 Handle Spread Minimum: 8"
 Handle Turn Angle: Quarter Turn
 Handshower Spray Hose Length: 60"
 Inlet Connection Size: 3/4"
 Inlet Connection Type: Male NPT and Male BSPP
 Inlet Supply Spread Maximum: 8"
 Inlet Supply Spread Minimum: 8"
 Integrated Diverter: Y
 Number Of Holes: Two Hole
 Pivot: Y
 Primary Material: Brass
 Restricted Maximum Flow Rate: 1.75 gpm
 Spout Swivel: N
 Spray Included In Unit: Y
 Valve Material: Brass and Ceramic
 Water Pressure Maximum: 85.0 psi
 Water Pressure Minimum: 20.0 psi
 Water Pressure Recommended: 45.0 psi

INSPIRATION

Influenced by the connection of industry and art Henry easily transitions between modern, traditional, utilitarian and classic settings.

CODES & STANDARDS

HXT202-F.RX, ASME A112.18.1/CSA B125.1, CEC(1.5GPM & 1.75GPM Only), WaterSense(1.5GPM, 1.75GPM & 2.0GPM Only), DOE, State of MA

PRODUCT FEATURES

Features Two Tone Cross Handles

Diverter Handle Allows Bather to Move Water From Spout to Handshower

Handshower Offers a Fixed Spray Pattern, Handshower Post Can Swivel to allow user to position Handshower over the tub

Stocked in Nickel/Dark Nickel and Brass/Dark Nickel

Unrestricted Flow for Tub Spout. Handshower Available in 1.75gpm (4.5L/min) Flow Rate

CERTIFICATIONS



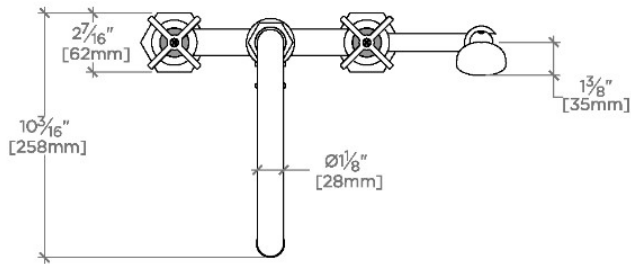
PRODUCT (NOTES)

WATERWORKS

HENRY

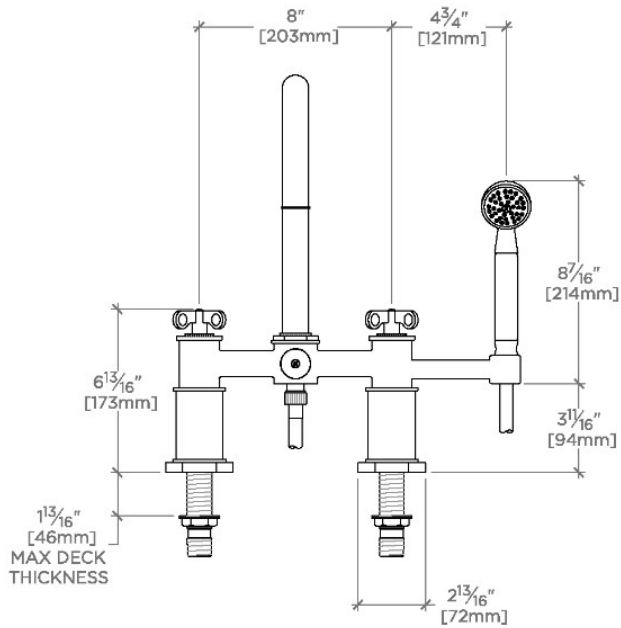
HXT202

Henry Deck Mounted Exposed Tub Filler with Handshower and Two-Tone Cross Handles



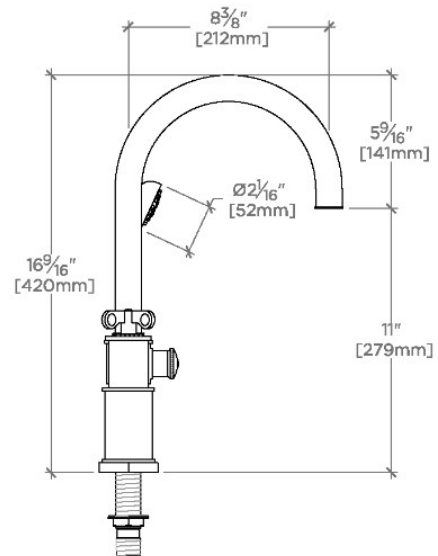
TOP VIEW

SCALE: 1/2"=1'-0"



FRONT VIEW

SCALE: 1/2"=1'-0"



SIDE VIEW

SCALE: 1/2"=1'-0"