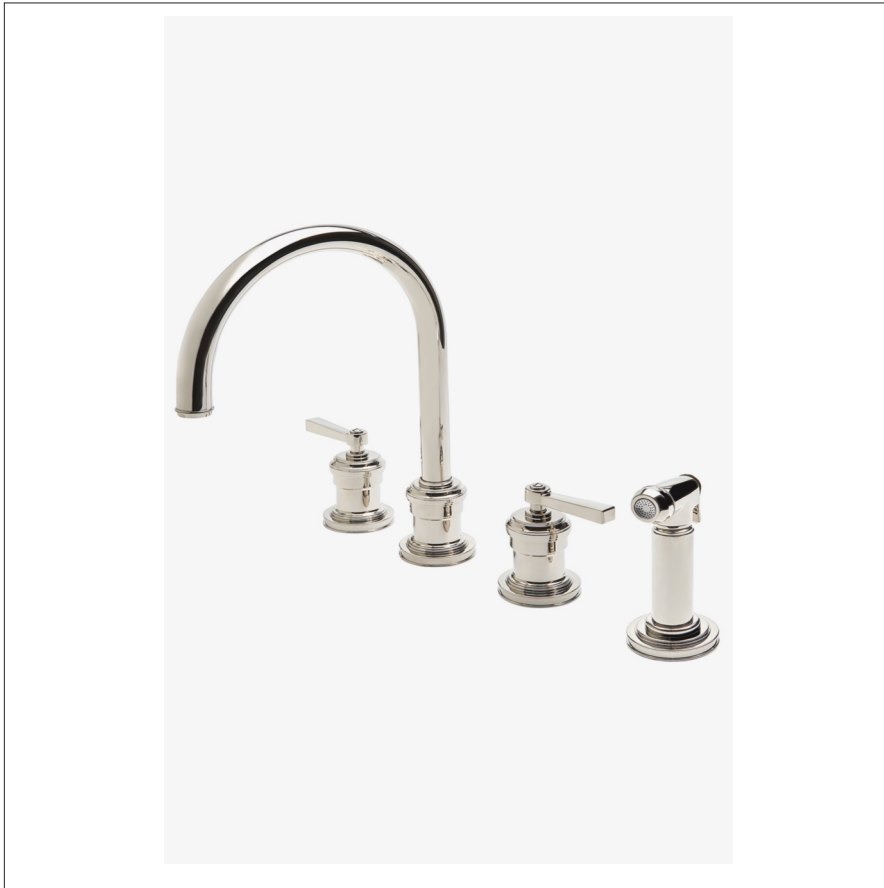


AERO

AEKM30

Aero Three Hole Gooseneck Kitchen Faucet with Elevated Metal Lever Handles and Spray



TECHNICAL DETAILS

Adjustable versus Fixed Spray: Fixed Spray
Deck Thickness Maximum: 51 mm
Deck Thickness Minimum: 6 mm
Fittings Hole Diameter: 35 mm
Handle Spread Maximum: 305 mm
Handle Spread Minimum: 203 mm
Handle Turn Angle: Quarter Turn
Handshower / Spray Hose Length: 1.2 m
Depth / Width: 275 mm
Height: 340 mm
Inlet Connection Size: 1/2"
Inlet Connection Type: Male with Supply Nut
Restricted Maximum Flow Rate: 9.5 liters/min
Spray Included in Unit: Y
Valve Material: Ceramic
Water Pressure Maximum: 5.5 bar
Water Pressure Minimum: 1.5 bar
Water Pressure Recommended: 3.0 bar

INSPIRATION

Inspired by the stepped detail of 19th century telescopes, Aero is a combination of historical reference with a contemporary temperament. The result is original and modern, bringing a look of updated elegance.

PRODUCT FEATURES

Metal lever handles

9" Gooseneck swivel spout. Integrated diverter to divert water between spout and side spray

Features signature stepped and gadrooned details on escutcheons and edge of spout

Stocked in Chrome and Nickel

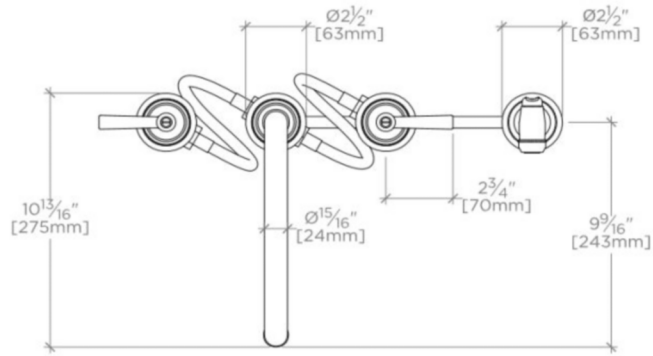
Available in 1.75gpm (6.6L/min) flow rate

WATERWORKS

AERO

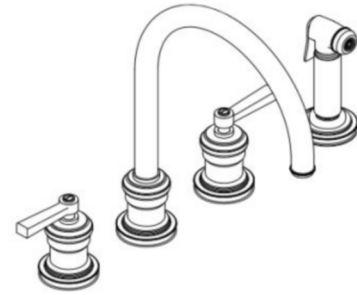
AEKM30

Aero Three Hole Gooseneck Kitchen Faucet with Elevated Metal Lever Handles and Spray



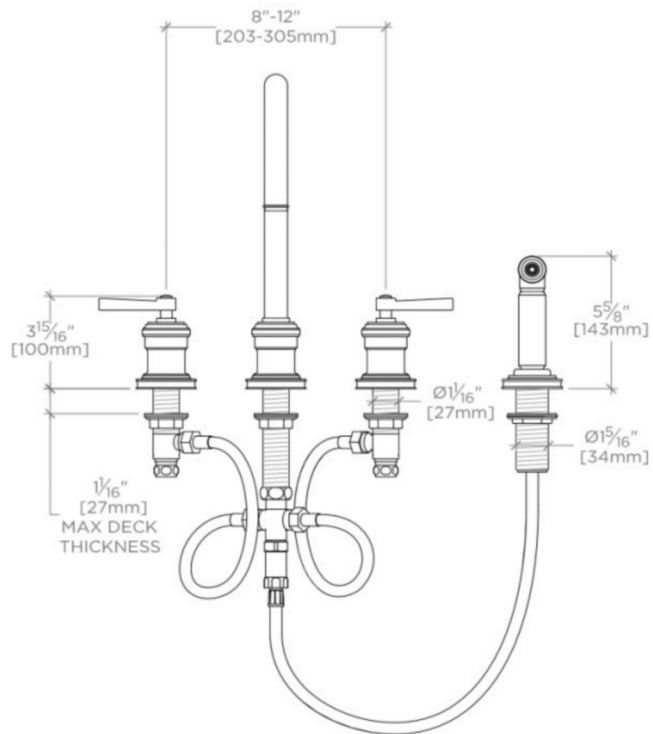
TOP VIEW

SCALE: 1/2"=1'-0"



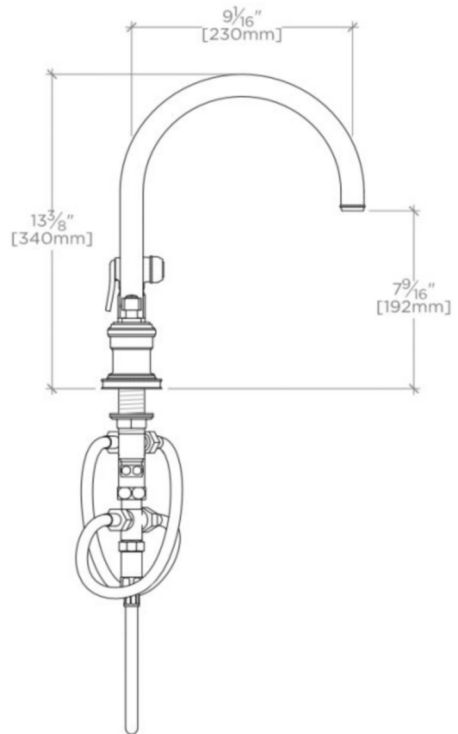
ISO VIEW

SCALE: 1/2"=1'-0"



FRONT VIEW

SCALE: 1/2"=1'-0"



SIDE VIEW

SCALE: 1/2"=1'-0"