

REGULATOR

RGKM20

Regulator Gooseneck Kitchen Faucet with Two-Tone Wheel Handle and Spray



SHOWN IN REGULATOR GOOSENECK KITCHEN FAUCET WITH TWO-TONE WHEEL HANDLE AND SPRAY | RGKM20

TECHNICAL DETAILS

Deck Thickness Maximum: 2 1/16"
 Deck Thickness Minimum: 1/4"
 Depth/Width: 12 3/8"
 Handle Spread Maximum: 12"
 Handle Spread Minimum: 6"
 Handle Turn Angle: Quarter Turn Each Way
 Handshower Spray Hose Length: 49"
 Height: 15 7/8"
 Inlet Connection Size: 3/8"
 Inlet Connection Type: Compression Connection Hoses
 Integrated Diverter: Y
 Length: 17 13/16"
 Primary Material: Brass
 Spout Swivel: Y
 Spray Included In Unit: Y
 Suggested Application: Bar, Kitchen, Laundry
 Valve Material: Ceramic
 Water Pressure Maximum: 85.0 psi
 Water Pressure Minimum: 20.0 psi
 Water Pressure Recommended: 45.0 psi

INSPIRATION

A play on industrial controls from the early 1900s, when pride was lavished on parts. Translated to handcrafted, fittings project rugged beauty through powerful, detailed shapes.

CODES & STANDARDS

RGKM20-F.RXNSF/ANSI/CAN 61:Q < 1, NSF/ANSI/CAN 372, ASME A112.18.1/CSA B125.1, CEC, State of MA

PRODUCT FEATURES

Casted brass temperature mixing valve. The user rotates the center control handle for preferred temperature.
 Solid brass wheel handles finished in matte black to control on/off/volume. Paint resistant to hard water
 Built-in automatic diverters for spray operation.

Standard flow rate is 2.2gpm (8.3 L/min) and State of California requires a maximum of 1.8gpm(6.8 L/min). Also available in high efficiency flow options. Contact a sales associate for details.

CERTIFICATIONS



PRODUCT (NOTES)

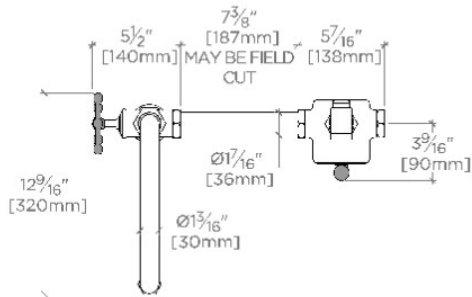
Drilling size requirements are 2 1/4" for mixing/spray body and 1 3/4" for faucet body.

WATERWORKS

REGULATOR

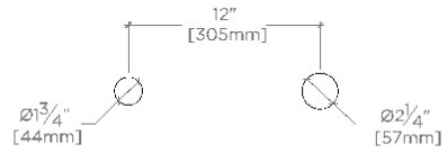
RGKM20

Regulator Gooseneck Kitchen Faucet with Two-Tone Wheel Handle and Spray



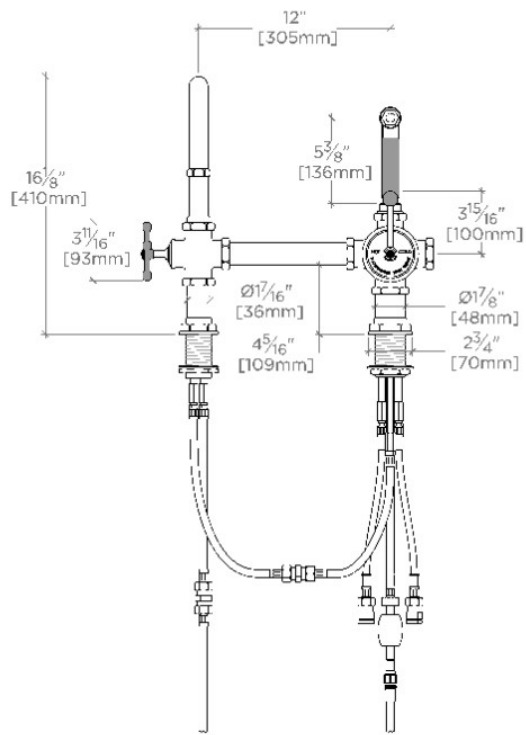
TOP VIEW

SCALE: 1"=1'-0"



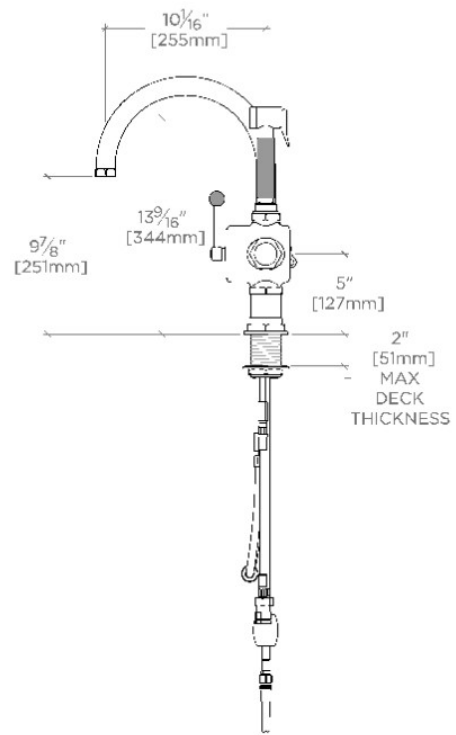
REQUIRED DRILLINGS

SCALE: 1"=1'-0"



FRONT VIEW

SCALE: 1"=1'-0"



SIDE VIEW

SCALE: 1"=1'-0"