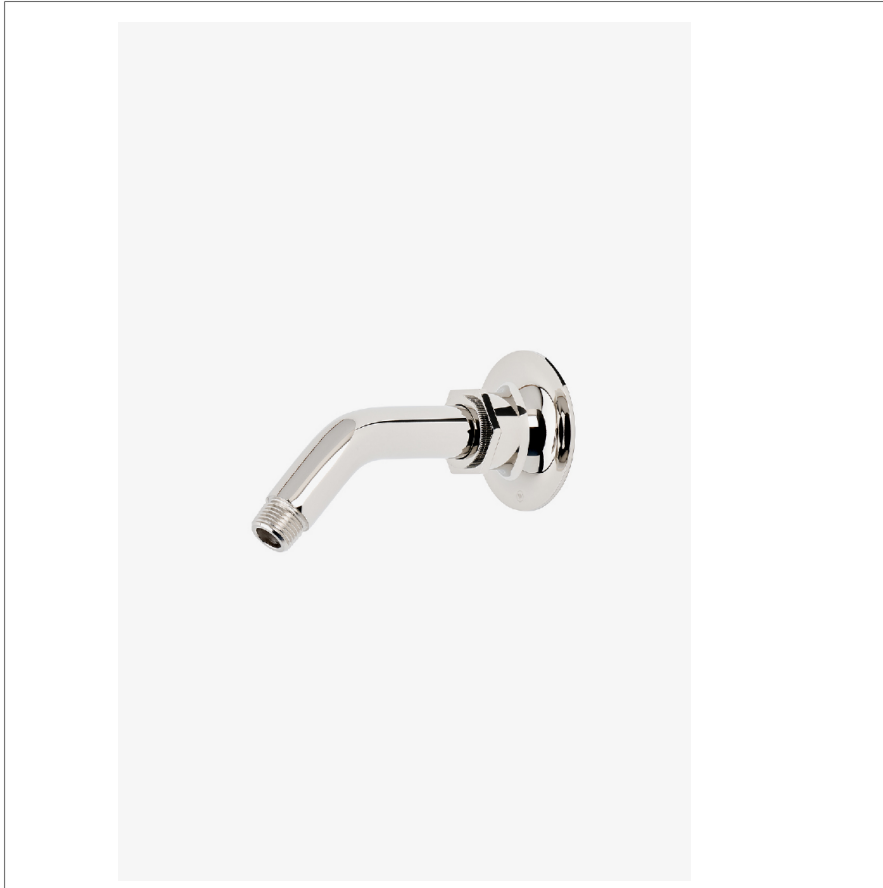


Henry

HNWH06

Henry 6" Wall Mounted 45 Degree Shower Arm with Flange



SHOWN IN HENRY 6" WALL MOUNTED 45 DEGREE SHOWER ARM WITH FLANGE | HNWH06

TECHNICAL DETAILS

Fittings Hole Diameter: 32 mm
Inlet Connection Size: 1/2"
Inlet Connection Type: Male NPT
Outlet Connection Size: 1/2"
Outlet Connection Type: Male NPT
Water Pressure Recommended: 3.0 bar

INSPIRATION

Celebrating the connection of industry and art, Henry transitions effortlessly between modern, traditional, and classic settings. These iconic fittings blend 19th-century industrial and artistic references for a look that's forever of the moment—familiar yet wholly original.

CODES & STANDARDS

PRODUCT FEATURES

Compatible with an assortment of Waterworks showerheads, sold separately

Brass Construction

Includes 6" wall mounted 45 degree shower arm

Stocked in Chrome, Nickel and Brass

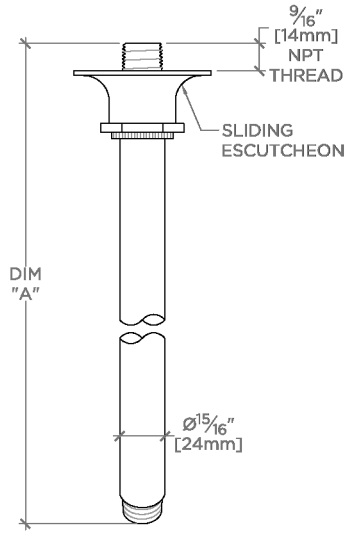
CERTIFICATIONS

PRODUCT (NOTES)

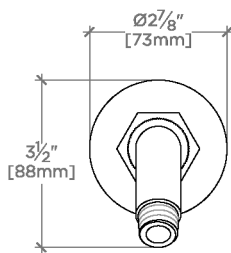
Henry

HNWH06

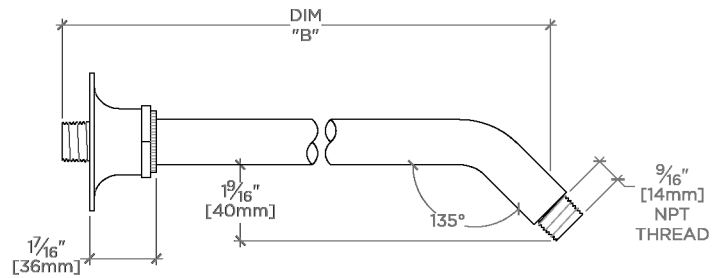
Henry 6" Wall Mounted 45 Degree Shower Arm with Flange



TOP VIEW SCALE: 3"=1'-0"



FRONT VIEW SCALE: 3"=1'-0"



SIDE VIEW SCALE: 3"=1'-0"

STYLE NO.	DIM "A"	DIM "B"
HNWH06	6 15/16" [176mm]	6 1/4" [158mm]
HNWH08	8 15/16" [226mm]	8 1/4" [209mm]
HNWH10	10 15/16" [277mm]	10 1/4" [260mm]