

Boulevard

BDLS02

Boulevard Low Profile Three Hole Deck Mounted Lavatory Faucet with Metal Lever Handles



SHOWN IN BOULEVARD LOW PROFILE THREE HOLE DECK MOUNTED LAVATORY FAUCET WITH METAL LEVER HANDLES | BDLS02

TECHNICAL DETAILS

ADA Compliance: Yes
 Adjustable Versus Fixed Spray: Fixed Spray
 Deck Thickness Maximum: 38 mm
 Deck Thickness Minimum: 0 mm
 Depth/Width: 191 mm
 Drain Assembly Materials: Brass
 Drain Depth Maximum: 44 mm
 Drain Depth Minimum: 35 mm
 Drain Hole Diameter: 44 mm
 Drain Style: Pop-up
 Escutcheon Primary Material: Brass
 Fittings Hole Diameter: 32 mm
 Handle Spread Maximum: 305 mm
 Handle Spread Minimum: 203 mm
 Handle Turn Angle: Quarter Turn
 Height: 64 mm
 Inlet Connection Size: 1/2"
 Inlet Connection Type: Male with Supply Nut
 Inlet Supply Spread Maximum: 305 mm
 Inlet Supply Spread Minimum: 203 mm
 Length: 362 mm
 Number Of Holes: Three Hole
 Primary Material: Brass
 Restricted Maximum Flow Rate: 4.5 liters/min
 Spout Swivel: N
 Suggested Application: Bath
 Valve Material: Ceramic
 Water Pressure Maximum: 6.0 bar
 Water Pressure Minimum: 1.5 bar
 Water Pressure Recommended: 3.0 bar

INSPIRATION

Inspiration from 1930s objects evokes extravagance: a strong silhouette, lavish scale and elegant decoration. Machine and artisan hands yield crisp details and curves.

CODES & STANDARDS

BDLS02X, NSF/ANSI/CAN 61:Q < 1, NSF/ANSI/CAN 372, ASME A112.18.1/CSA B125.1, CEC, State of MA

PRODUCT FEATURES

Metal lever handles

Includes European size pop up drain

Solidly sized and generous in scale, decorative elements convey a sense of substance

Stocked in Nickel and Unlacquered Brass

Available in 1.2gpm (4.5L/min) flow rate

CERTIFICATIONS



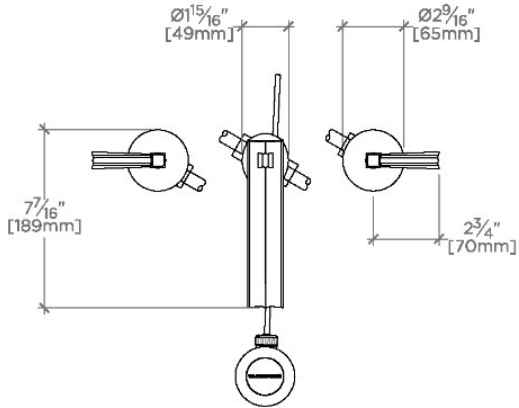
PRODUCT (NOTES)

Sold with European style drain; USA style drain sold separately for use with non-Waterworks sinks.

Boulevard

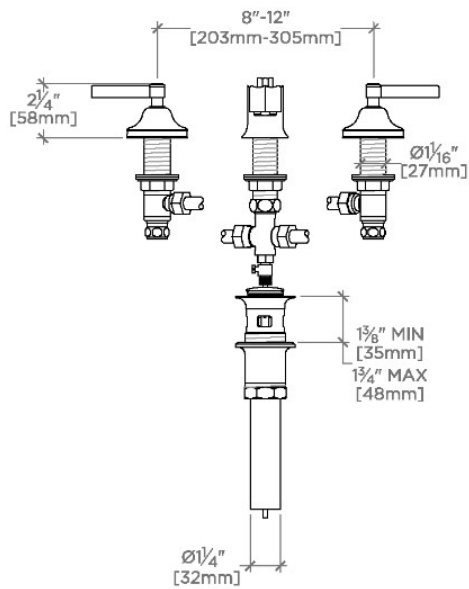
BDLS02

Boulevard Low Profile Three Hole Deck Mounted Lavatory
Faucet with Metal Lever Handles



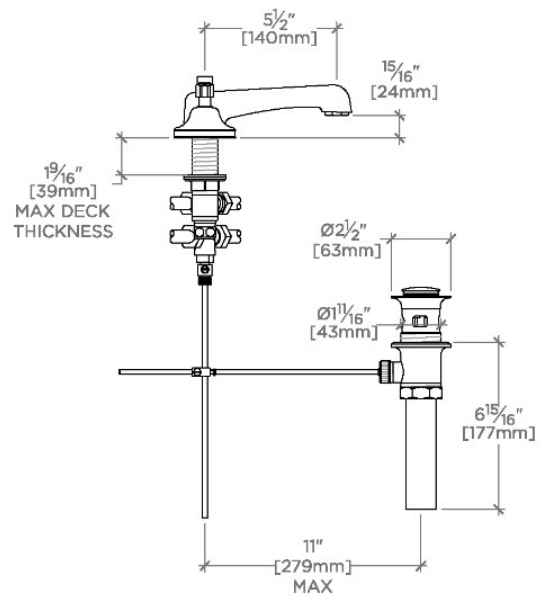
TOP VIEW

SCALE: $1\frac{1}{2}"=1'-0"$



FRONT VIEW

SCALE: $1\frac{1}{2}"=1'-0"$



SIDE VIEW

SCALE: $1\frac{1}{2}"=1'-0"$