

Tellaro

TELV29

Tellaro Rectangular Wall Mounted Marble Lavatory Sink 28" x 17" x 11" with 28" x 7" x 3/4" Backsplash



SHOWN IN TELLARO RECTANGULAR WALL MOUNTED MARBLE LAVATORY SINK 28" X 17" X 11" WITH 28" X 7" X 3/4" BACKSPLASH | TELV29

TECHNICAL DETAILS

Drain Hole Depth: 48 mm
Drain Hole Diameter: 44 mm
Fittings Hole Diameter: 35 mm
Overflow Opening: No

INSPIRATION

Tellaro sinks emerge from a single, hand-selected piece of solid marble. Shown here in Arabescato, a light stone with touches of gray, the bold-scale Tellaro complements Modern and Transitional spaces. Optional 7-inch backsplash for wall-mounted fittings.

CODES & STANDARDS

PRODUCT FEATURES

Designed by and exclusive to Waterworks

Sourced and made in Italy

Carved from a solid block of stone

Backsplash designed for wall mounted faucet and handles

Required Drain: UNLD23

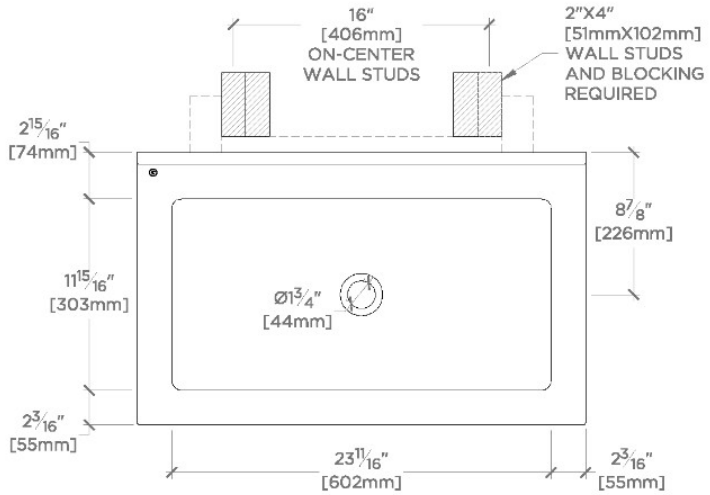
CERTIFICATIONS

PRODUCT (NOTES)

Tellaro

TELV29

Tellaro Rectangular Wall Mounted Marble Lavatory Sink 28" x 17" x 11" with 28" x 7" x 3/4" Backsplash



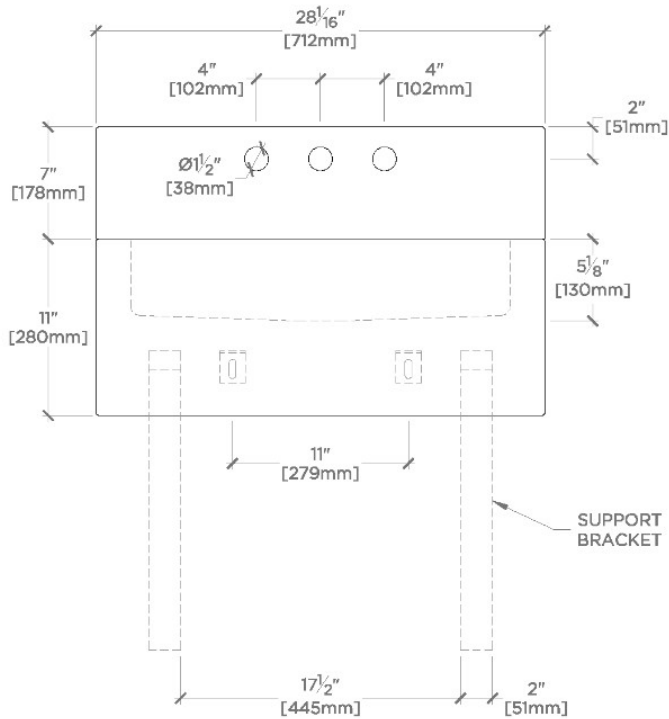
TOP VIEW

SCALE: 1"=1'-0"

REQUIRED MOUNTING HARDWARE (SOLD SEPARATELY)

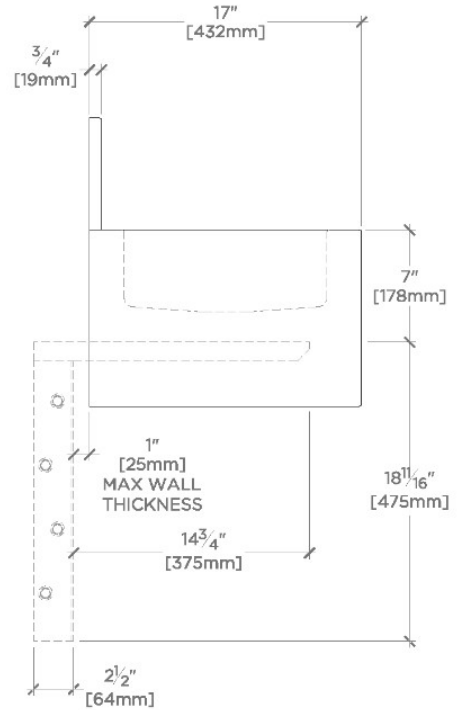
STYLE: 100539

DESCRIPTION: UNIVERSAL PAIR (L/R) 17 1/4" STAINLESS STEEL CONCEALED SUPPORT BRACKETS, WALL SUPPORT BRACKETS AND HARDWARE FOR WALL MOUNTED STONE SINK



FRONT VIEW

SCALE: 1"=1'-0"



SIDE VIEW

SCALE: 1"=1'-0"