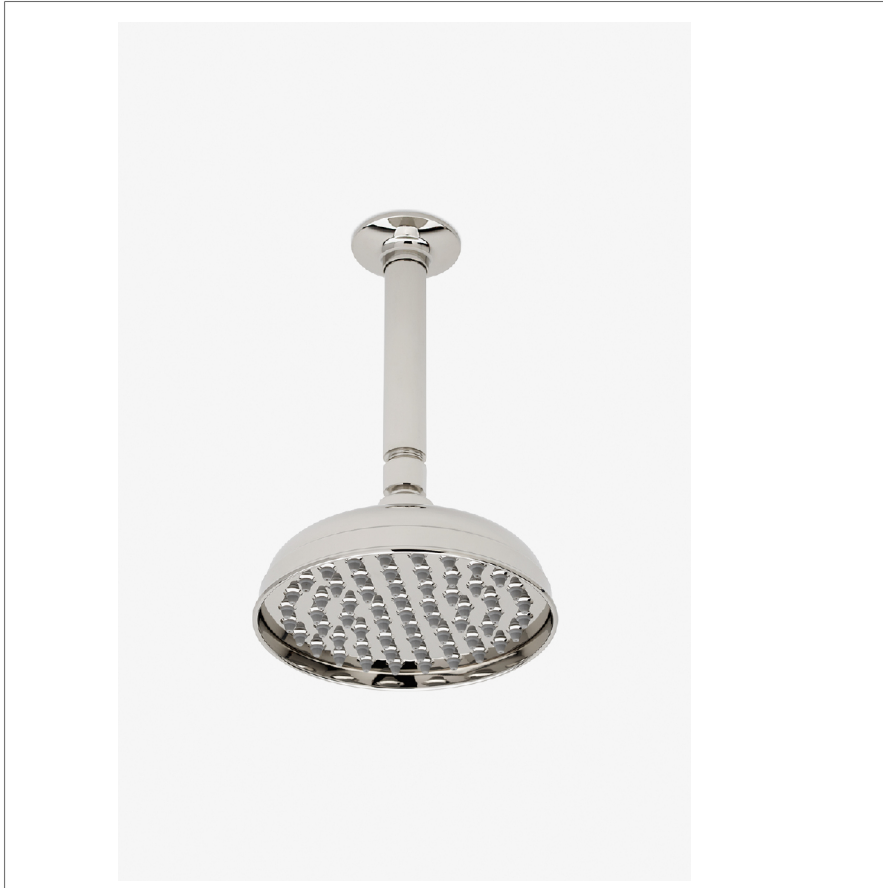


Opus

OPS160

Opus 6" Showerhead with 6" Ceiling Mounted Shower Arm



SHOWN IN OPUS 6" SHOWERHEAD WITH 6" CEILING MOUNTED SHOWER ARM | OPS160

TECHNICAL DETAILS

Adjustable Versus Fixed Spray: Fixed
 Fittings Hole Diameter: 32 mm
 Flow Restriction Options: 1.5, 1.75, 2.0
 Inlet Connection Size: 1/2"
 Inlet Connection Type: Male NPT
 Pivot: Y
 Primary Material: Brass
 Restricted Maximum Flow Rate: 6.6 liters/min
 Water Pressure Maximum: 6.0 bar
 Water Pressure Minimum: 1.5 bar
 Water Pressure Recommended: 3.0 bar

INSPIRATION

Opus incorporates a range of sophisticated aesthetic notes, with graceful curves that create a jewel-like refinement.

CODES & STANDARDS

OPS160X, ASME A112.18.1/CSA B125.1, CEC(1.5GPM & 1.75GPM Only), WaterSense(1.5GPM, 1.75GPM & 2.0GPM Only), DOE, State of MA

PRODUCT FEATURES

- Made of Brass
- Features a swivel 6" showerhead with easy clean rubber nozzles
- Includes a 6" ceiling mounted shower arm
- Stocked in Brass, Chrome, Nickel and Matte Nickel
- Showerhead available in 1.75gpm (6.6L/min) flow rate

CERTIFICATIONS



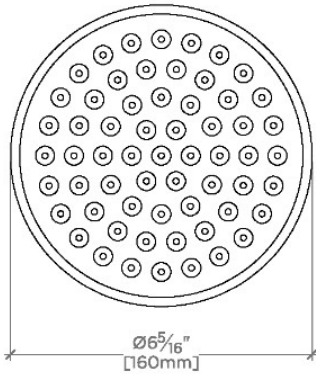
PRODUCT (NOTES)

WATERWORKS

Opus

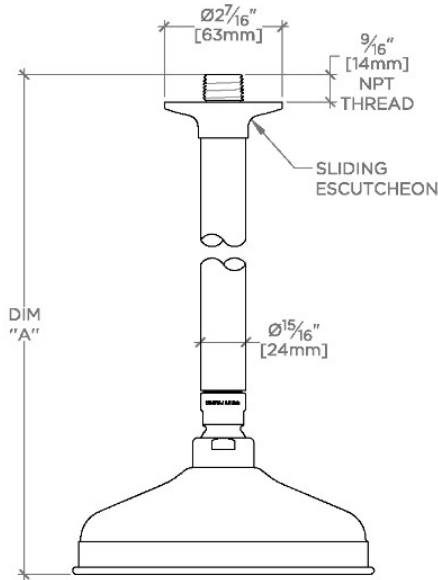
OPS160

Opus 6" Showerhead with 6" Ceiling Mounted Shower Arm

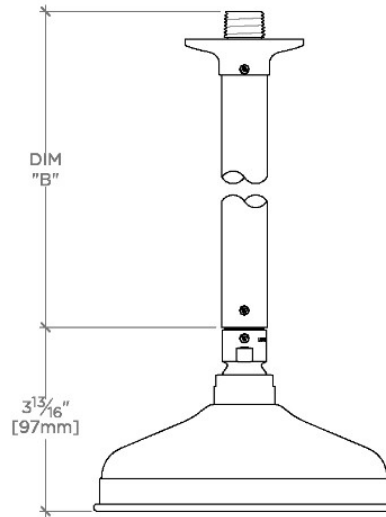


CEILING VIEW SCALE: 3"=1'-0"

STYLE NO.	DIM "A"	DIM "B"
EAS160	10 ⁷ / ₈ " [264mm]	6 ⁹ / ₁₆ " [167mm]
OPS160		
EAS161	16 ³ / ₈ " [417mm]	12 ⁹ / ₁₆ " [319mm]
OPS161		



FRONT VIEW SCALE: 3"=1'-0"



SIDE VIEW SCALE: 3"=1'-0"