

HIGHGATE

Highgate Gooseneck Lavatory Faucet with Cross Handles

HG20LS



SHOWN IN Highgate Gooseneck Lavatory Faucet with Cross Handles in Nickel

TECHNICAL DETAILS

ADA Compliance:
 Adjustable versus Fixed Spray:
 Deck Thickness Maximum: 1.5625
 Deck Thickness Minimum: 0.375
 Drain Depth Maximum:
 Drain Hole Diameter: 1.5
 Depth / Width:
 Escutcheon Primary Material:
 Fittings Hole Diameter: 1.375
 Handle Spread Maximum: 12.0
 Handle Spread Minimum: 8.0
 Handle Turn Angle: Quarter Turn
 Drain Depth Minimum: 1.375
 Height:
 Inlet Connection Size: 0.5
 Inlet Connection Type: Male with Supply Nut
 Inlet Supply Spread Maximum: 12.0
 Inlet Supply Spread Minimum: 8.0
 Installation Type:
 Integrated Diverter:
 Integrated Spray:
 Number of Handles:
 Number of Holes:
 Primary Material:
 Spout Swivel:
 Spray Included in Unit:
 Suggested Application:
 Valve Material: Ceramic
 Water Pressure Maximum: 85.0
 Water Pressure Minimum: 20.0
 Water Pressure Recommended: 45.0

INSPIRATION

Our take on old English style: simple, functional shapes, detailed with white porcelain indices and hexagonal accents for a timeless feel.

CODES & STANDARDS

PRODUCT FEATURES

- Cross Handles.
- Includes USA size lift and turn drain.
- Stocked in Chrome, Nickel and Brass.
- Available in 1.2gpm (4.5L/min) flow rate

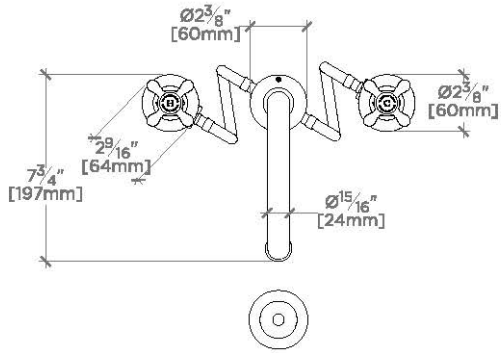
CERTIFICATIONS

WATERWORKS

HIGHGATE

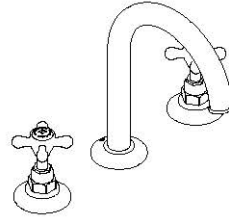
HG20LS

Highgate Gooseneck Lavatory Faucet with Cross Handles



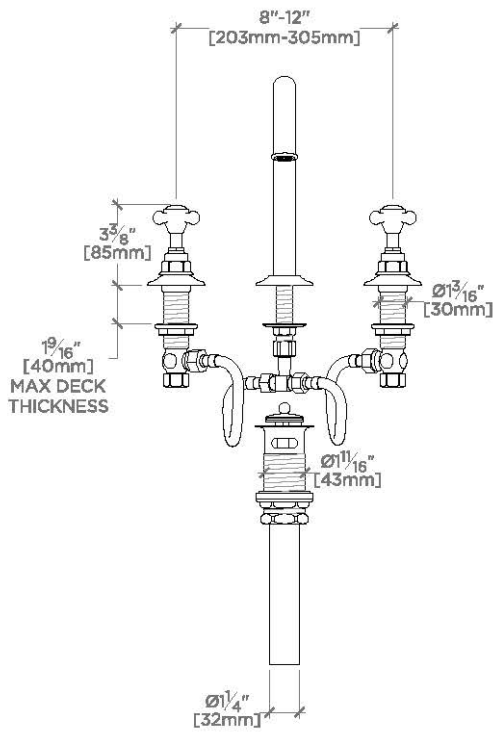
TOP VIEW

SCALE: 1/2"=1'-0"



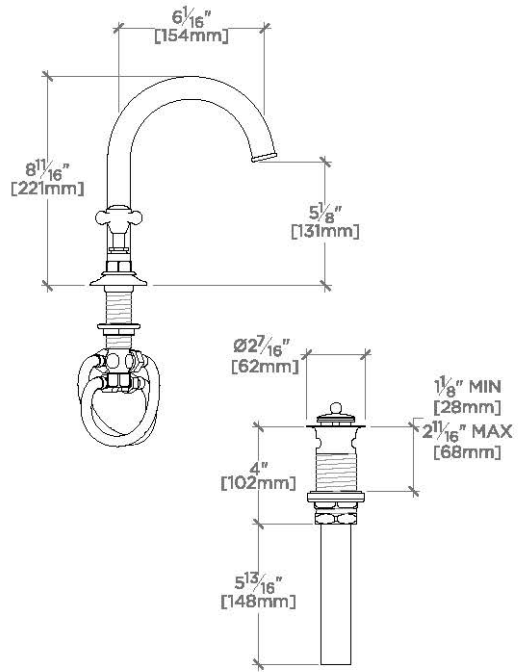
ISO VIEW

SCALE: 1/2"=1'-0"



FRONT VIEW

SCALE: 1/2"=1'-0"



SIDE VIEW

SCALE: 1/2"=1'-0"