

## AXEL

Axel One Piece Dual Flush Watercloset

XLWC01



SHOWN IN AXEL ONE PIECE DUAL FLUSH WATERCLOSET| XLWC01

### TECHNICAL DETAILS

Adjustable Levelers / Feet: N  
Bolt Cap Material: Plastic  
Flush Motion: Push  
Flush Position: Top of Lid  
Flush Primary Material: Plastic  
Flushing Technology: Dual Flush  
Installation Notes: Rough In: Waste(floor only) is 12" from finished wall and Supply(wall only) is 6" from finished floor and 9" left from center.  
Depth / Width: 711 mm  
Height: 646 mm  
Inlet Connection Size: 1/2"  
Inlet Connection Type: Male Threads  
Length: 357 mm  
Seat Height: 432 mm  
Seat Hole Spread: 144 mm  
Sink Visibility: N  
Sound Proofing: N  
Stain Resistance: N  
Suggested Application: Bath  
Tank Surface Shape: Flat Rectangle  
Water Pressure Maximum: 6.0 bar  
Water Pressure Minimum: 1.5 bar  
Water Pressure Recommended: 3.0 bar

### INSPIRATION

Axel adds a modern, sculptural element to contemporary bathroom design. Elemental shapes and a sleek finish combine to create a refined and assertive statement.

### PRODUCT FEATURES

Two button dual flush offers a choice of 1.0 or 1.6 gallons per flush(gpf).  
Skirted trapway facilitates easy cleaning and eliminates hard to reach areas that may harbor germs.  
No assembly required with its one piece construction.  
Includes dedicated Axel seat with slow close mechanism and quick release for ease of cleaning.  
Supply kits available separately.

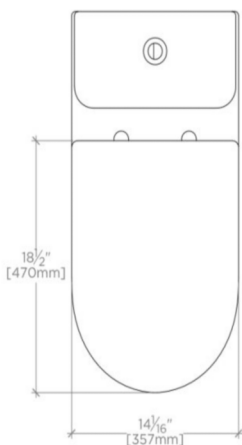
### PRODUCT (NOTES)

Dimensions of fixtures are nominal. Measure your actual product for rough-in details.

AXEL

Axel One Piece Dual Flush Watercloset

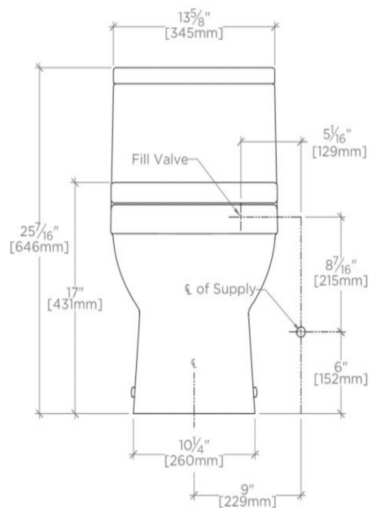
XLWC01



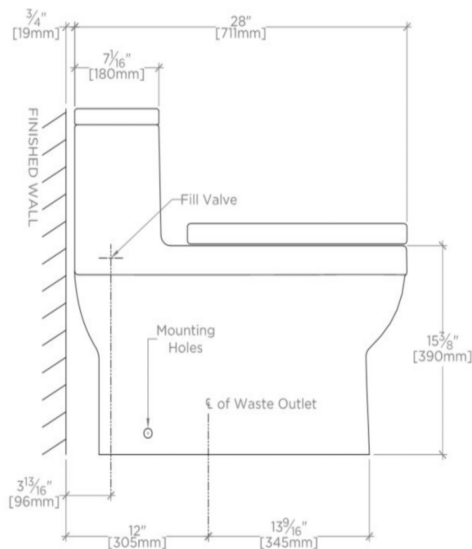
TOP VIEW SCALE: 1"=1'-0"

NOTES:

1. THE FILL VALVE HAS A 1/2" MALE INLET CONNECTION AND REQUIRES A FEMALE 3/8" COMPRESSION x FEMALE 1/2" IPS x 12" LENGTH BRAIDED STAINLESS STEEL FAUCET SUPPLY LINE.
2. A 1/2" FEMALE x 7/8" MALE ADAPTER AND GASKET FOR THE FILL VALVE IS PROVIDED. THIS WOULD REQUIRE A FEMALE 3/8" COMPRESSION x FEMALE 7/8" BALLCOCK NUT x 12" LENGTH BRAIDED STAINLESS STEEL TOILET CONNECTOR.
3. THE SUPPLY LINE OR TOILET CONNECTOR IS NOT SUPPLIED.
4. THE SUPPLY LINE OR TOILET CONNECTOR MUST BE ATTACHED TO THE FILL VALVE PRIOR TO SETTING THE WATERCLOSET.



FRONT VIEW SCALE: 1"=1'-0"



SIDE VIEW SCALE: 1"=1'-0"