

## EASTON

EATH17

Easton Vintage Thermostatic Control Valve Trim with Metal Lever Handle



SHOWN IN EASTON VINTAGE THERMOSTATIC CONTROL VALVE TRIM WITH METAL LEVER HANDLE | EATH17

### TECHNICAL DETAILS

ADA Compliance: Yes  
 Depth/Width: 3 1/2"  
 Escutcheon Primary Material: Brass  
 Height: 6 1/4"  
 Index Color Finish And Material: White Porcelain  
 Index Marking: Blank  
 Integrated Diverter: N  
 Length: 6"  
 Number Of Handles: One  
 Primary Material: Brass  
 Suggested Application: Bath

### INSPIRATION

Rooted in classical Edwardian design, Easton is our most expansive collection—offering a comprehensive family of pieces that bring polished detail and timeless tradition to any setting. Revered for its exquisite proportions and impeccable scale, Easton is a trusted choice among designers.

### CODES & STANDARDS

ASME A112.18.1/CSA B125.1, State of MA

### PRODUCT FEATURES

Brass metal is used for all trim and valve components

The manufacturing process encompasses casting, turning, forging, hand-fitting and hand polishing.

Easton is our most comprehensive fittings family.

Easton has a clean-lined utilitarian profile, with a slightly elongated spout.

### CERTIFICATIONS



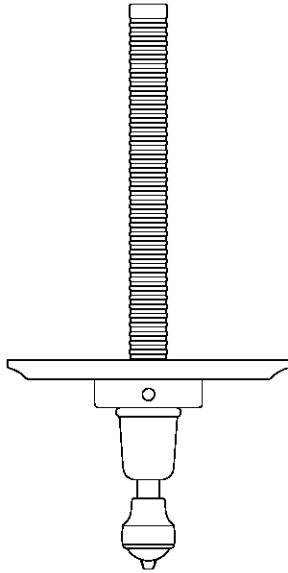
### PRODUCT (NOTES)

Valve sold separately.

## EASTON

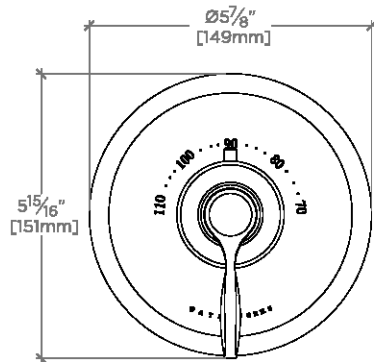
## EATH17

Easton Vintage Thermostatic Control Valve Trim with Metal Lever Handle



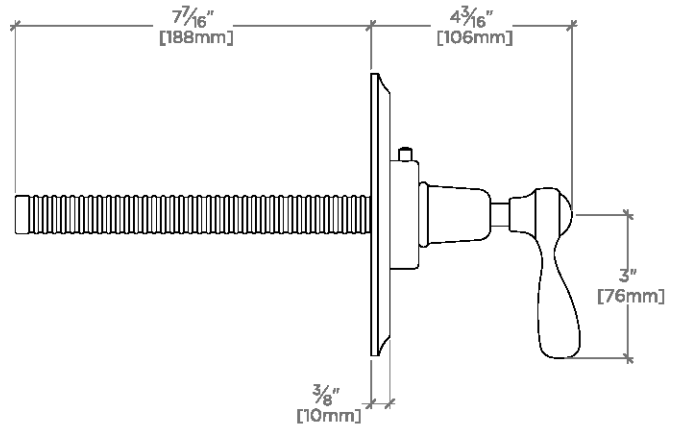
TOP VIEW

SCALE: 3"=1'-0"



FRONT VIEW

SCALE: 3"=1'-0"



SIDE VIEW

SCALE: 3"=1'-0"