

Regulator

RGWH22

Regulator 22" Wall Mounted 90 Degree Shower Arm with Flange



SHOWN IN REGULATOR 22" WALL MOUNTED 90 DEGREE SHOWER ARM WITH FLANGE | RGWH22

TECHNICAL DETAILS

Fittings Hole Diameter: 32 mm
Inlet Connection Size: 1/2"
Inlet Connection Type: Male NPT
Outlet Connection Size: 1/2"
Outlet Connection Type: Male NPT
Water Pressure Recommended: 3.0 bar

INSPIRATION

With striking scale and unique design, Regulator commands attention through its tribute to early 20th-century boiler room controls, when pride was lavished on hard-built parts. Each handcrafted fitting brings dramatic beauty through powerful proportions and honest details.

CODES & STANDARDS

PRODUCT FEATURES

Compatible with an assortment of Waterworks showerheads, sold separately

Brass Construction

Includes 22" wall mounted 90 degree shower arm

Stocked in Chrome, Nickel and Brass

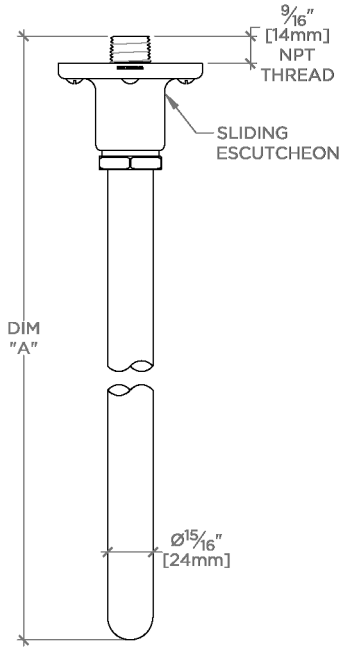
CERTIFICATIONS

PRODUCT (NOTES)

Regulator

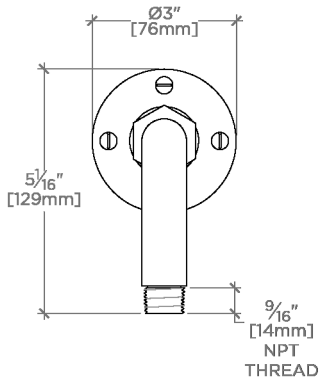
RGWH22

Regulator 22" Wall Mounted 90 Degree Shower Arm with Flange

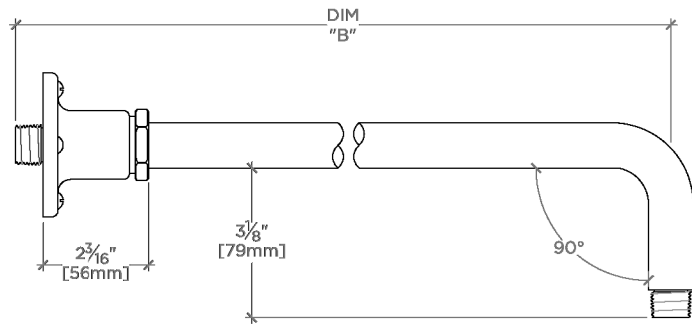


TOP VIEW SCALE: 3"=1'-0"

STYLE NO.	DIM "A"	DIM "B"
RGWH12	13 $\frac{3}{16}$ " [331mm]	12 $\frac{1}{2}$ " [319mm]
RGWH18	19 $\frac{1}{16}$ " [484mm]	18 $\frac{1}{2}$ " [472mm]
RGWH22	23 $\frac{3}{16}$ " [585mm]	22 $\frac{1}{2}$ " [572mm]



FRONT VIEW SCALE: 3"=1'-0"



SIDE VIEW SCALE: 3"=1'-0"