

## Dash

DSS344

Dash 3 1/2" Showerhead with Adjustable Spray with 6" Wall Mounted 45 Degree Shower Arm



SHOWN IN DASH 3 1/2" SHOWERHEAD WITH ADJUSTABLE SPRAY WITH 6" WALL MOUNTED 45 DEGREE SHOWER ARM | DSS344

### TECHNICAL DETAILS

Adjustable Versus Fixed Spray: Adjustable Spray  
Fittings Hole Diameter: 32 mm  
Flow Restriction Options: 1.5, 1.75, 2.0  
Inlet Connection Size: 1/2"  
Inlet Connection Type: Male NPT  
Pivot: Y  
Primary Material: Brass  
Restricted Maximum Flow Rate: 6.6 liters/min  
Water Pressure Maximum: 6.0 bar  
Water Pressure Minimum: 1.5 bar  
Water Pressure Recommended: 3.0 bar

### INSPIRATION

A blend of art and function, Dash pays homage to design elements of the 1930s with pared-down shapes, softened curves and minimal details.

### CODES & STANDARDS

DSS344X, ASME A112.18.1/CSA B125.1, CEC(1.5GPM & 1.75GPM Only), WaterSense(1.5GPM, 1.75GPM & 2.0GPM Only), DOE, State of MA

### PRODUCT FEATURES

Made of Brass

Features a swivel 3 1/2" showerhead with two adjustable spray patterns

Includes a 6" wall mounted 45 degree shower arm

Stocked in Brass, Chrome, Nickel and Matte Nickel

Showerhead available in 1.75gpm (6.6L/min) flow rate

### CERTIFICATIONS



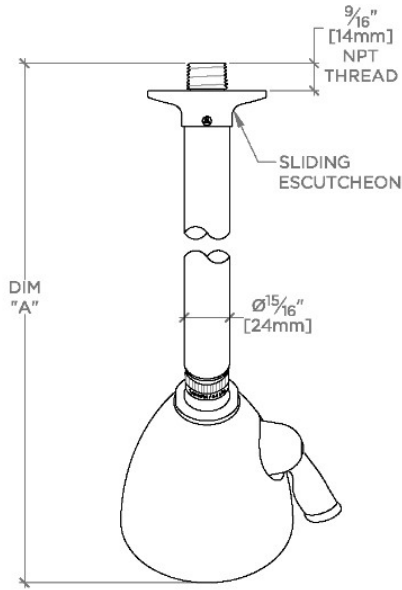
### PRODUCT (NOTES)

# WATERWORKS

## Dash

DSS344

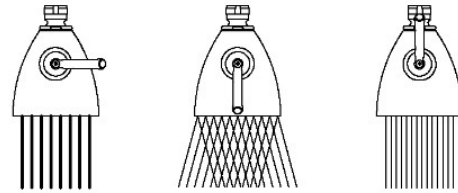
Dash 3 1/2" Showerhead with Adjustable Spray with 6" Wall Mounted 45 Degree Shower Arm



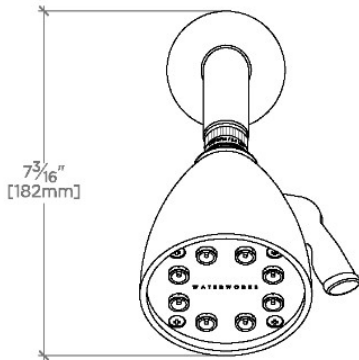
TOP VIEW

SCALE: 3"=1'-0"

STYLE NO.	DIM "A"	DIM "B"
DSS344	10 7/8" [276mm]	6 1/4" [158mm]
HGS344		
RRS344		
DSS345	12 7/8" [326mm]	8 1/4" [209mm]
HGS345		
RRS345		

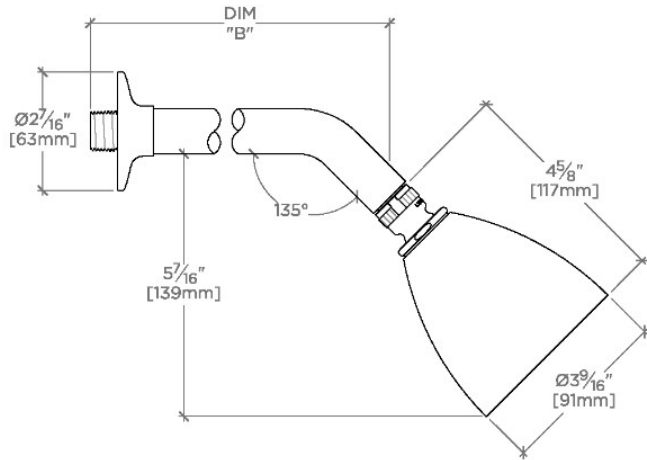


SPRAY PATTERNS



FRONT VIEW

SCALE: 3"=1'-0"



SIDE VIEW

SCALE: 3"=1'-0"