

DORIA

DOCP06

Doria Deck Mounted Marble Lavatory Sink 36" x 21 3/4" x 6"
with 36" x 8" x 3/4" Backsplash and Tapered Pedestal 12" x 8
3/4" x 27"



SHOWN IN DORIA DECK MOUNTED MARBLE LAVATORY SINK 36" X 21 3/4" X 6" WITH 36" X 8" X 3/4" BACKSPLASH AND TAPERED PEDESTAL 12" X 8 3/4" X 27" | DOCP06

TECHNICAL DETAILS

Depth To Overflow: 3 1/4"
Drain Hole Depth: 1 7/8"
Drain Hole Diameter: 1 3/4"
Drain Style: Center Drain
Fittings Hole Diameter: 1 3/8"
Overflow Opening: Yes

INSPIRATION

Shaped from a single block of hand-selected Italian marble, Doria exemplifies enduring elegance through its gentle curves and sculptural form. Radiused corners soften the design, while the integrated 9-inch backsplash adds height and drama.

CODES & STANDARDS

PRODUCT FEATURES

Designed by and exclusive to Waterworks

Sourced and made in Italy

Carved from a solid block of stone. Packaged item weight: 394 lbs

Comes pre-cut for deck-mounted faucet and handles

Features an integrated overflow

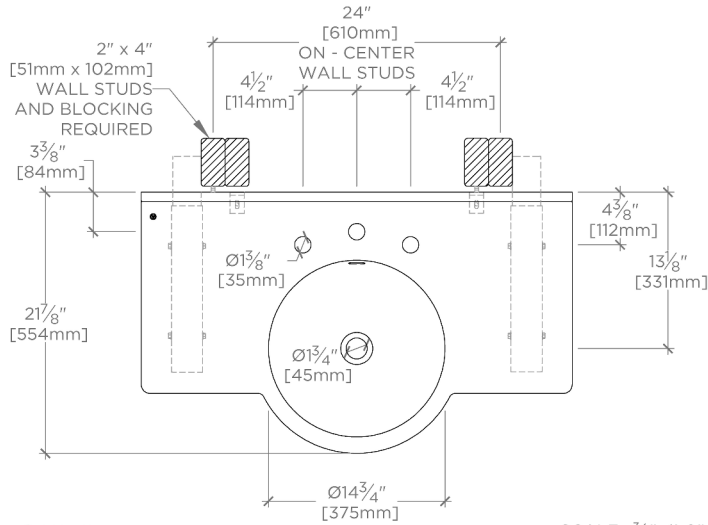
CERTIFICATIONS

PRODUCT (NOTES)

DORIA

DOCP06

Doria Deck Mounted Marble Lavatory Sink 36" x 21 3/4" x 6"
with 36" x 8" x 3/4" Backsplash and Tapered Pedestal 12" x 8
3/4" x 27"



REQUIRED MOUNTING HARDWARE (SOLD SEPARATELY)

STYLE: 106801

DESCRIPTION: UNIVERSAL PAIR (L/R) 18" STAINLESS STEEL ADJUSTABLE CONCEALED SUPPORT BRACKETS, WALL SUPPORT BRACKETS AND HARDWARE FOR WALL MOUNTED STONE SINK.

NOTE: THE SINK WILL BE SUPPORTED BY THE BRACKETS AND NOT THE PEDESTAL. ENSURE THE SINK IS NOT RESTING ON THE PEDESTAL TO AVOID DAMAGE.

