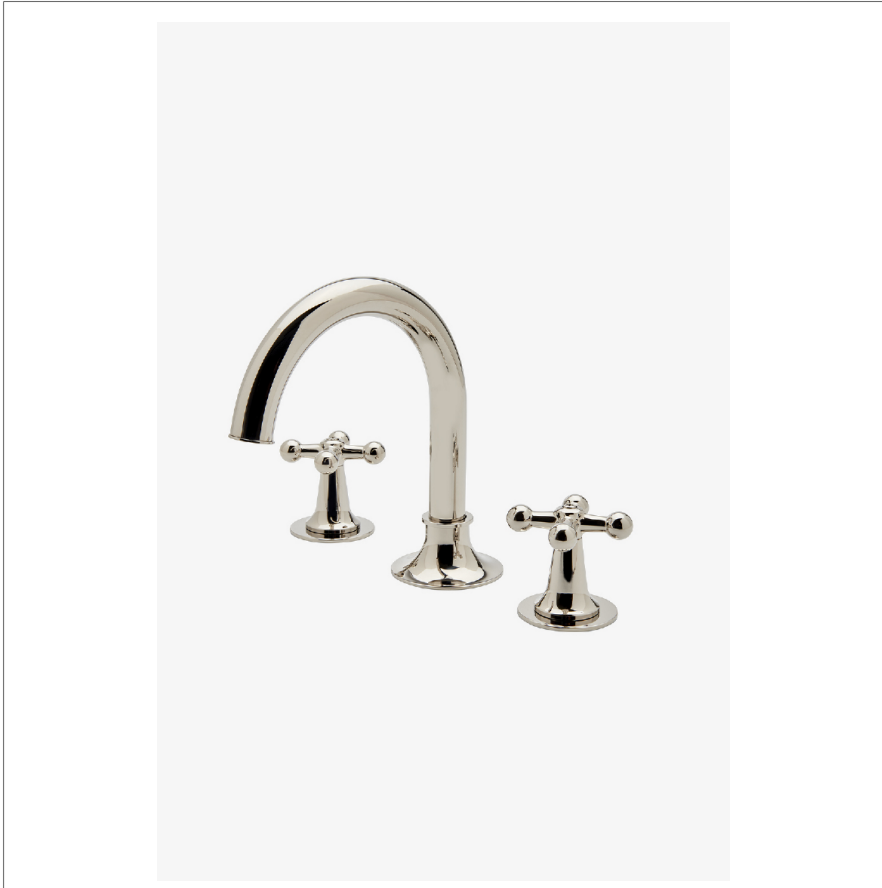


## DASH

DSLS20

Dash Gooseneck Three Hole Deck Mounted Lavatory Faucet with Metal Cross Handles



SHOWN IN DASH GOOSENECK THREE HOLE DECK MOUNTED LAVATORY FAUCET WITH METAL CROSS HANDLES | DSLS20

### TECHNICAL DETAILS

ADA Compliance: Yes  
 Deck Thickness Maximum: 1 9/16"  
 Deck Thickness Minimum: 1/4"  
 Depth/Width: 7 15/16"  
 Drain Assembly Materials: Brass, Rubber, Plastic  
 Drain Depth Maximum: 2 5/8"  
 Drain Depth Minimum: 3/8"  
 Drain Hole Diameter: 1 3/4"  
 Drain Style: Push-Touch  
 Escutcheon Primary Material: Brass  
 Fittings Hole Diameter: 1 3/8"  
 Flow Restriction Options: 1.75, 1.5, 1.2, 1.0  
 Handle Spread Maximum: 12"  
 Handle Spread Minimum: 8"  
 Handle Turn Angle: Quarter Turn  
 Height: 7 15/16"  
 Inlet Connection Size: 1/2"  
 Inlet Connection Type: Male with Supply Nut  
 Inlet Supply Spread Maximum: 12"  
 Inlet Supply Spread Minimum: 8"  
 Installation Type: Deck Mounted  
 Length: 11 15/16"  
 Number Of Handles: Two  
 Number Of Holes: Three Hole  
 Primary Material: Brass  
 Restricted Maximum Flow Rate: 1.2 gpm  
 Spout Swivel: N  
 Suggested Application: Bath  
 Valve Material: Ceramic  
 Water Pressure Maximum: 85.0 psi  
 Water Pressure Minimum: 20.0 psi  
 Water Pressure Recommended: 45.0 psi

### INSPIRATION

An imaginative blend of art and function, Dash pays homage to design elements of the 1930s with pared-down shapes, softened curves and minimal details.

### CODES & STANDARDS

DSLS20X, NSF/ANSI/CAN 61:Q < 1, NSF/ANSI/CAN 372, CEC, State of MA, WRAS

### PRODUCT FEATURES

Metal Cross Handle

Includes European push touch style drain.

Stocked in Nickel, Chrome, Unlacquered Brass, and Matte Nickel finishes

Standard flow rate is 2.2gpm (8.3 L/min) and State of California requires 1.2gpm(4.5 L/min). Also available in other flow options. Contact a sales associate for details.

### CERTIFICATIONS

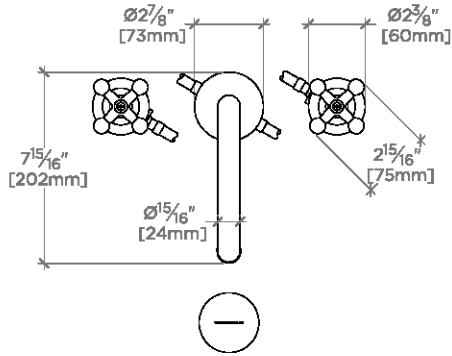
### PRODUCT (NOTES)

# WATERWORKS

## DASH

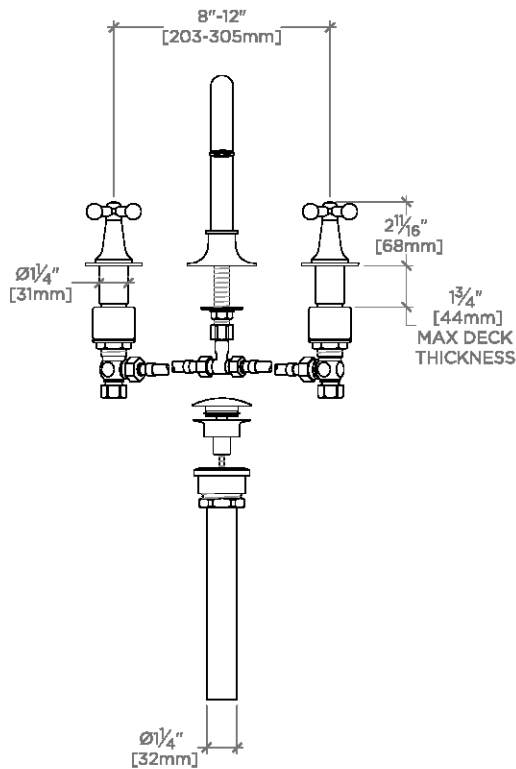
## DSLS20

Dash Gooseneck Three Hole Deck Mounted Lavatory Faucet with Metal Cross Handles



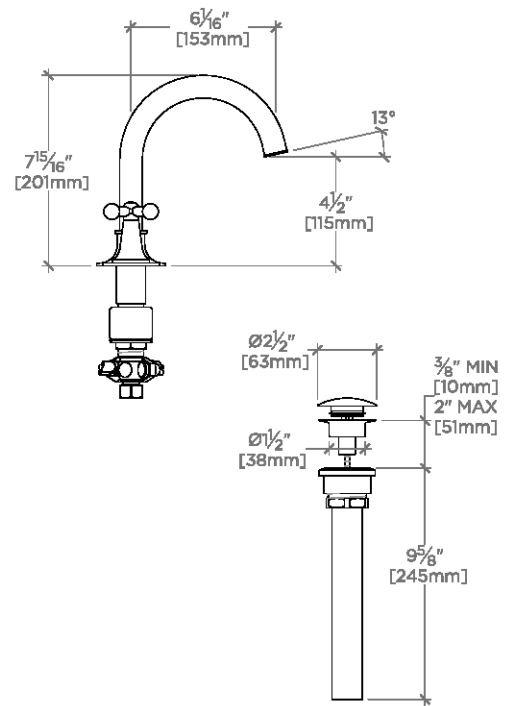
TOP VIEW

SCALE:  $1\frac{1}{2}$ "=1'-0"



FRONT VIEW

SCALE:  $1\frac{1}{2}$ "=1'-0"



SIDE VIEW

SCALE:  $1\frac{1}{2}$ "=1'-0"