

.25

PTS200

.25 10" Rain Showerhead with 6" Ceiling Mounted Shower Arm



SHOWN IN .25 10" RAIN SHOWERHEAD WITH 6" CEILING MOUNTED SHOWER ARM | PTS200

TECHNICAL DETAILS

Adjustable Versus Fixed Spray: Fixed
 Fittings Hole Diameter: 32 mm
 Flow Restriction Options: 1.5, 1.75, 2.0
 Inlet Connection Size: 1/2"
 Inlet Connection Type: Male NPT
 Pivot: Y
 Primary Material: Brass
 Restricted Maximum Flow Rate: 6.6 liters/min
 Water Pressure Maximum: 6.0 bar
 Water Pressure Minimum: 1.5 bar
 Water Pressure Recommended: 3.0 bar

INSPIRATION

.25 is the ultimate in utilitarian elegance: A simple and understated design that is equally functional and beautiful.

CODES & STANDARDS

PTS200X, ASME A112.18.1/CSA B125.1, CEC(1.5GPM & 1.75GPM Only), WaterSense(1.5GPM, 1.75GPM & 2.0GPM Only), DOE, State of MA

PRODUCT FEATURES

- Made of Brass
- Features a swivel 10" rain showerhead with easy clean rubber nozzles
- Includes a 6" ceiling mounted shower arm
- Stocked in Brass, Chrome, Nickel and Matte Nickel
- Rain showerhead available in 1.75gpm (6.6L/min) flow rate

CERTIFICATIONS

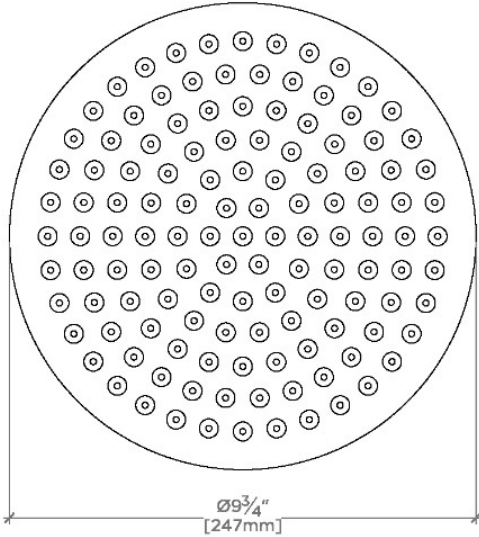


PRODUCT (NOTES)

.25

PTS200

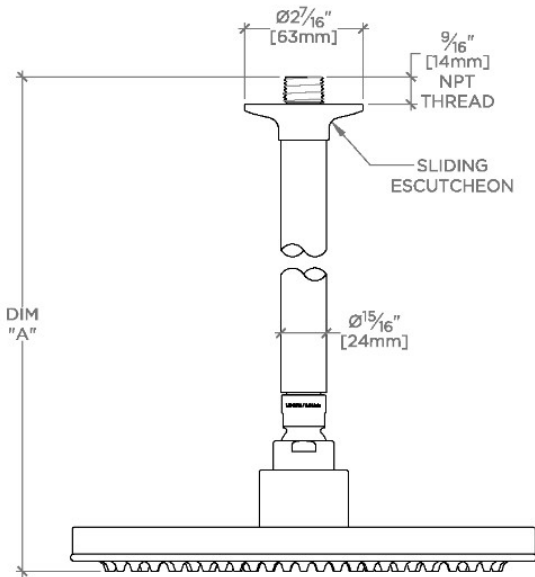
.25 10" Rain Showerhead with 6" Ceiling Mounted Shower Arm



CEILING VIEW

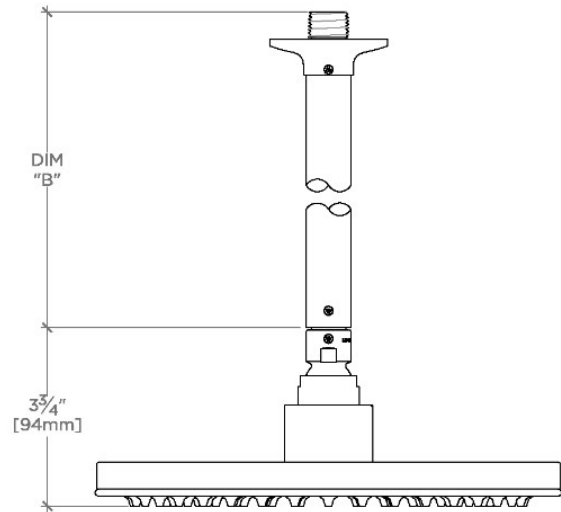
SCALE: 3"=1'-0"

| STYLE NO. | DIM "A" | DIM "B" |
|-----------|--|--|
| LVS200 | 10 ⁵ / ₁₆ " [261mm] | 6 ⁹ / ₁₆ " [167mm] |
| PTS200 | | |
| LVS201 | 16 ⁵ / ₁₆ " [414mm] | 12 ⁹ / ₁₆ " [319mm] |
| PTS201 | | |
| LVS202 | 22 ⁵ / ₁₆ " [566mm] | 18 ⁹ / ₁₆ " [472mm] |
| PTS202 | | |



FRONT VIEW

SCALE: 3"=1'-0"



SIDE VIEW

SCALE: 3"=1'-0"