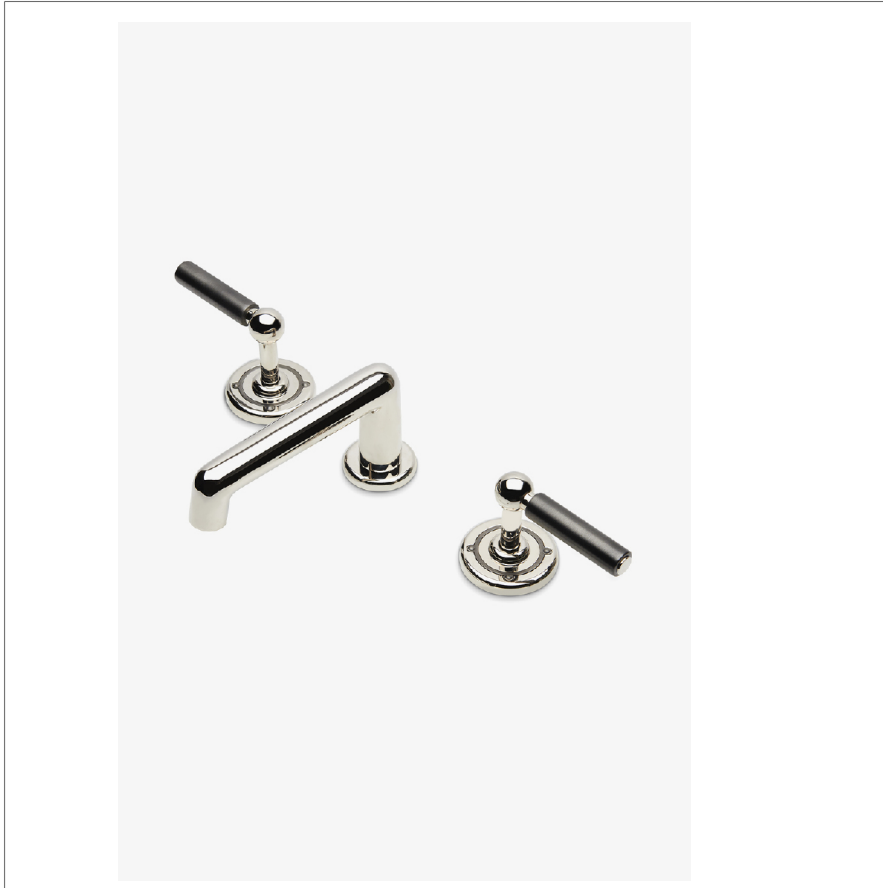


Ludlow

LDLSSE

Ludlow Shinola Edition Lavatory Faucet with Two-Tone Lever Handles



SHOWN IN LUDLOW SHINOLA EDITION LAVATORY FAUCET WITH TWO-TONE LEVER HANDLES | LDLSSE

TECHNICAL DETAILS

ADA Compliance: Yes
 Deck Thickness Maximum: 49 mm
 Deck Thickness Minimum: 10 mm
 Depth/Width: 189 mm
 Drain Assembly Materials: BRASS
 Drain Depth Maximum: 51 mm
 Drain Depth Minimum: 35 mm
 Drain Hole Diameter: 38 mm
 Drain Style: European Size Push Touch
 Escutcheon Primary Material: Brass
 Fittings Hole Diameter: 32 mm
 Flow Restriction Options: 1.2
 Handle Spread Maximum: 305 mm
 Handle Spread Minimum: 203 mm
 Handle Turn Angle: Quarter Turn
 Height: 84 mm
 Inlet Connection Size: 1/2"
 Inlet Connection Type: Male with Supply Nut
 Inlet Supply Spread Maximum: 305 mm
 Inlet Supply Spread Minimum: 203 mm
 Length: 381 mm
 Number Of Handles: Two
 Number Of Holes: Three Hole
 Primary Material: Brass
 Restricted Maximum Flow Rate: 4.5 liters/min
 Spout Swivel: N
 Suggested Application: Bath
 Valve Material: Ceramic
 Water Pressure Maximum: 6.0 bar
 Water Pressure Minimum: 1.5 bar
 Water Pressure Recommended: 3.0 bar

INSPIRATION

Our fresh take on American industrial design comes in three styles, each of them clean-lined, and distinct to Waterworks.

CODES & STANDARDS

LDLSSEX, NSF/ANSI/CAN 61:Q < 1, NSF/ANSI/CAN 372, ASME A112.18.1/CSA B125.1, CEC, DOE, State of MA

PRODUCT FEATURES

- Push touch USA style drain included
- This style is stocked in Nickel/Shinola Steel
- Lever Handles
- Available in 1.2gpm(4.5 L/min)
- Available in 1.2gpm (4.5L/min) flow rate

CERTIFICATIONS



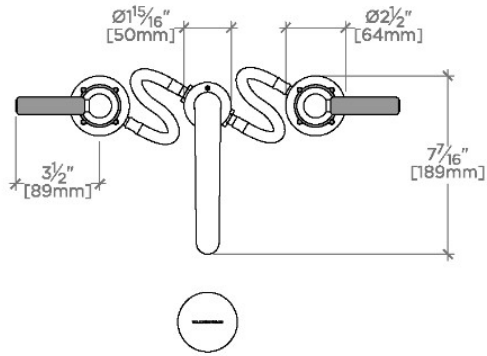
PRODUCT (NOTES)

WATERWORKS

Ludlow

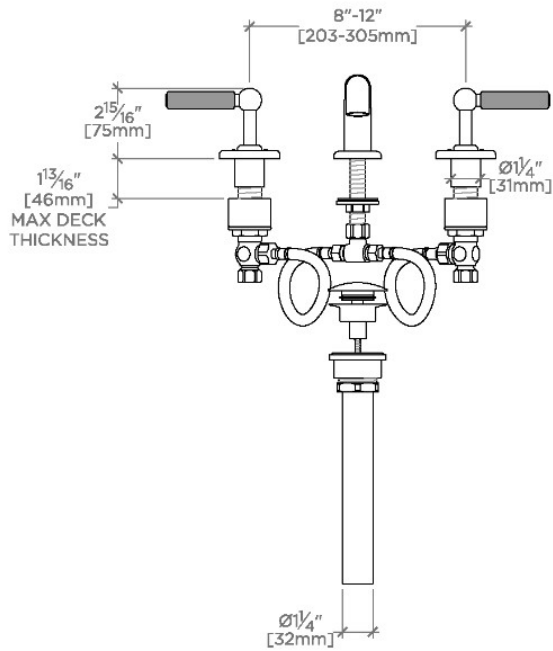
LDLSSE

Ludlow Shinola Edition Lavatory Faucet with Two-Tone Lever Handles



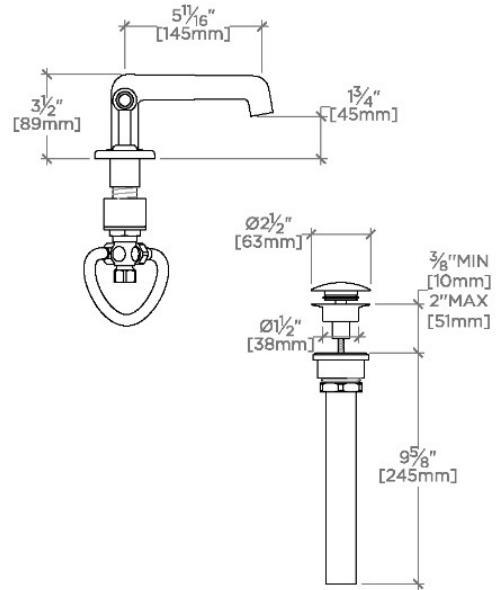
TOP VIEW

SCALE: 1/2"=1'-0"



FRONT VIEW

SCALE: 1/2"=1'-0"



SIDE VIEW

SCALE: 1/2"=1'-0"