

# WATERWORKS

## JULIA

JU40LS

Julia High Profile Three Hole Wall Mounted Lavatory Faucet with Metal Lever Handles



SHOWN IN JULIA HIGH PROFILE THREE HOLE WALL MOUNTED LAVATORY FAUCET WITH METAL LEVER HANDLES| JULS40

### TECHNICAL DETAILS

ADA Compliance: Yes  
Adjustable versus Fixed Spray: Fixed Spray  
Control Valve Rough-in Depth Maximum: 92 mm  
Control Valve Rough-in Depth Minimum: 41 mm  
Drain Assembly Materials: Brass  
Drain Depth Maximum: 51 mm  
Drain Hole Diameter: 44 mm  
Drain Style: Lift and Turn  
Escutcheon Primary Material: Brass  
Flow Restriction Options: 1.5, 1.0  
Handle Spread Maximum: 203 mm  
Handle Spread Minimum: 203 mm  
Handle Turn Angle: Quarter Turn  
Index Color / Finish and Material: Architectural Bronze  
Depth / Width: 216 mm  
Drain Depth Minimum: 38 mm  
Height: 159 mm  
Index Marking: H/C  
Inlet Connection Size: 1/2"  
Inlet Connection Type: Male G/BSPP  
Inlet Supply Spread Maximum: 203 mm  
Inlet Supply Spread Minimum: 203 mm  
Installation Type: Wall Mounted  
Length: 381 mm  
Number of Handles: Two  
Number of Holes: Three Hole  
Primary Material: Brass  
Restricted Maximum Flow Rate: 8.3 liters/min  
Spout Swivel: Y  
Suggested Application: Bath  
Valve Material: Ceramic  
Water Pressure Maximum: 5.5 bar  
Water Pressure Minimum: 1.5 bar  
Water Pressure Recommended: 3.0 bar

### INSPIRATION

An interpretation of 1920s French country, Julia speaks to decoration and intricate design displayed through beautifully composed turnings. These details embody the robust, signature high profile spout enabling Julia to transition fluidly from informal to formal environments.

### CODES & STANDARDS

Code # : ASME A112.18.1 / CSA B125.1, NSF, IAPMO, State of MA

### PRODUCT FEATURES

Features signature detail of the graceful, high profile swivel spout, and metal indices engraved in a simplistic "H" or "C",

Available with metal, wood or porcelain handle materials with MTO materials including porcelain and semiprecious stones.

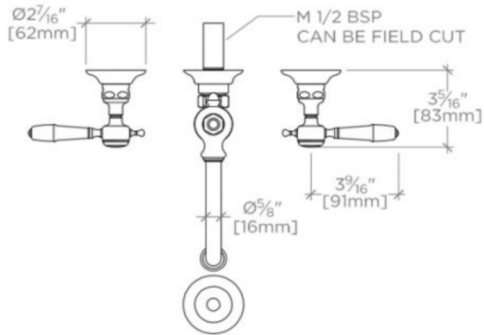
Standard flow rate is 2.2gpm (8.3 L/min) and State of California requires 1.2gpm(4.5 L/min). Also available in other flow options. Contact a sales associate for details.

# WATERWORKS

## JULIA

## JU40LS

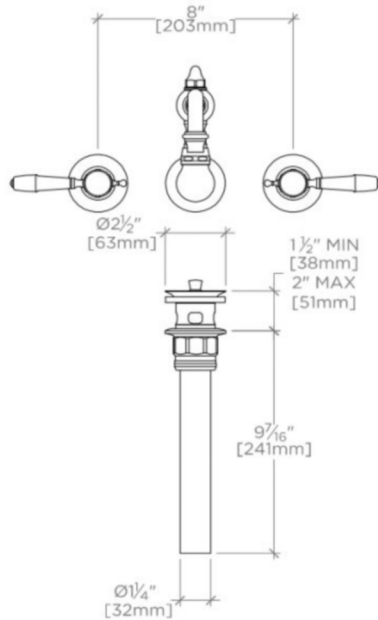
Julia High Profile Three Hole Wall Mounted Lavatory Faucet with Metal Lever Handles



TOP VIEW

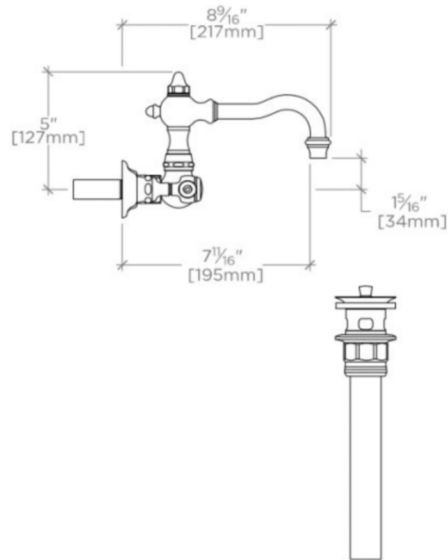
SCALE: 1 1/2"=1'-0"

ADAPTER(S) PACKAGED SEPARATELY		
ADAPTER	DESCRIPTION	QTY
UNUK04	1/2" NPT Male x 1/2" Male Nipple 50mm Long BSP	1



FRONT VIEW

SCALE: 1 1/2"=1'-0"



SIDE VIEW

SCALE: 1 1/2"=1'-0"