

HENRY

HN50XT

Henry Deck Mounted Exposed Tub Filler with Handshower and Metal Lever Handles



SHOWN IN HENRY EXPOSED DECK MOUNTED TUB FILLER WITH HANDSHOWER AND METAL LEVER HANDLES| HNXT50

TECHNICAL DETAILS

ADA Compliance: Yes
 Adjustable versus Fixed Spray: Fixed Spray
 Deck Thickness Maximum: 64 mm
 Deck Thickness Minimum: 0 mm
 Diameter of Head: 48 mm
 Escutcheon Primary Material: Brass
 Fittings Hole Diameter: 29 mm
 Flow Restriction Options: 2.0, 1.75, 1.5, 0.92
 Handle Spread Maximum: 203 mm
 Handle Spread Minimum: 203 mm
 Handle Turn Angle: Quarter Turn
 Handshower / Spray Hose Length: 1.5 m
 Depth / Width: 257 mm
 Height: 424 mm
 Inlet Connection Size: 3/4"
 Inlet Connection Type: Copper Sweat
 Inlet Supply Spread Maximum: 203 mm
 Inlet Supply Spread Minimum: 203 mm
 Installation Type: Deck Mounted
 Integrated Diverter: N
 Integrated Spray: N
 Number of Handles: Two
 Number of Holes: Two Hole
 Primary Material: Brass
 Restricted Maximum Flow Rate: 9.5 liters/min
 Spout Reach: 8 5/16"
 Suggested Application: Bath
 Valve Material: Ceramic
 Water Pressure Maximum: 6.0 bar
 Water Pressure Minimum: 1.5 bar
 Water Pressure Recommended: 3.0 bar

INSPIRATION

Influenced by the connection of industry and art Henry easily transitions between modern, traditional, utilitarian and classic settings.

PRODUCT FEATURES

The manufacturing process encompasses casting, turning, forging, hand-fitting and hand polishing.

Brass material is used for components.

Includes deck unions

Standard flow rate is 2.5gpm for handshower only. Also available in high efficient flow options.

Contact your sales associate or call 1 (800) 899-6757 for details.

CERTIFICATIONS



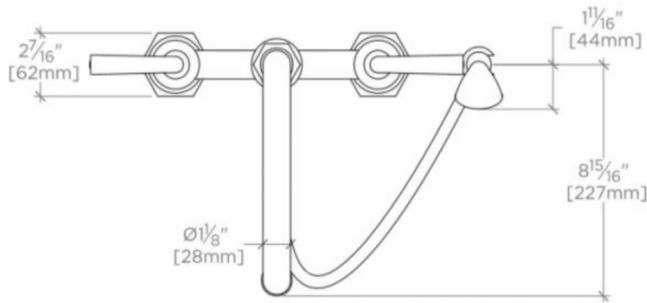
WATERWORKS

HENRY

HN50XT

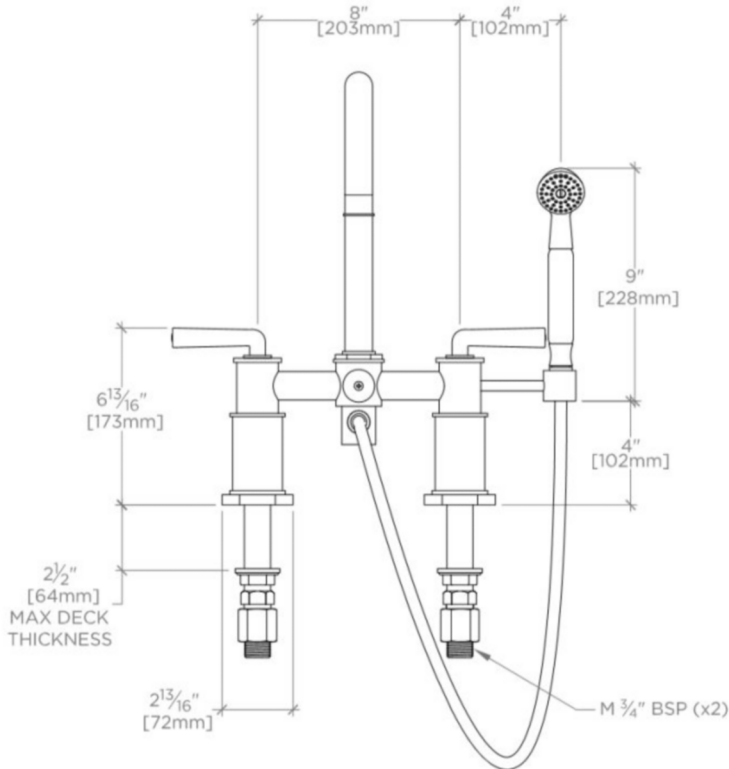
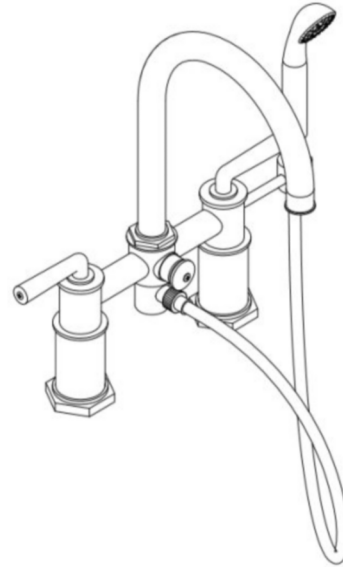
Henry Deck Mounted Exposed Tub Filler with Handshower and Metal Lever Handles

ADAPTER(S) PACKAGED SEPARATELY		
ADAPTER	DESCRIPTION	QTY
UNUK05	3/4" NPT Female x 3/4" Male BSP	2



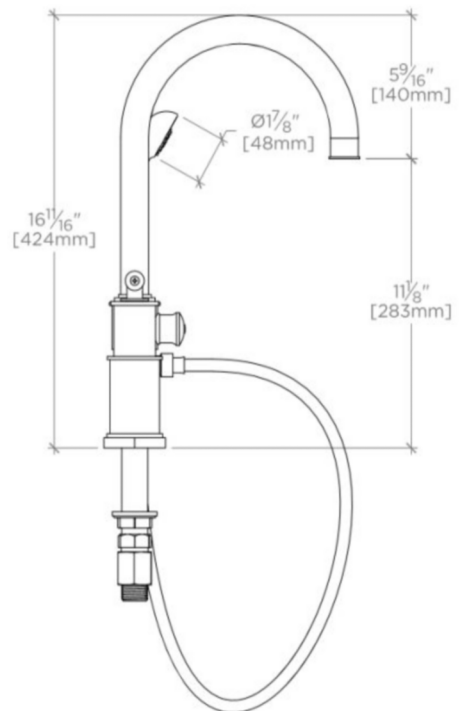
TOP VIEW

SCALE: 1/2"=1'-0"



FRONT VIEW

SCALE: 1/2"=1'-0"



SIDE VIEW

SCALE: 1/2"=1'-0"