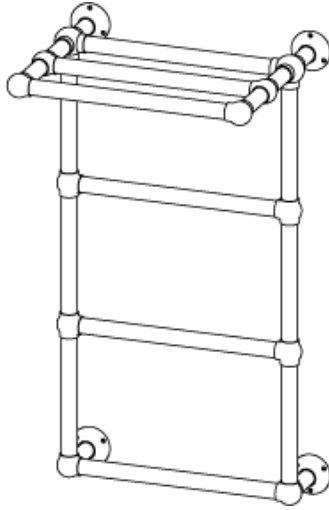


# WATERWORKS INSTALLATION GUIDELINES



## **IMPORTANT:**

- This guide is for standard size only, for bespoke sizes data refer to issued test certificate.
- To ensure this product is installed properly, you must read and follow these guidelines.
- The owner/user of this product must keep this information for future reference.
- Install adequate blocking or position over a stud to properly secure the fixture.
- Inspect this product, upon receiving, to ensure it is the correct model and you have all parts required for proper installation.
- This product must be installed by a professional licensed contractor. Be sure your installation conforms to all federal, state, and local codes.
- Take all necessary precautions to ensure that this product is protected during installation.

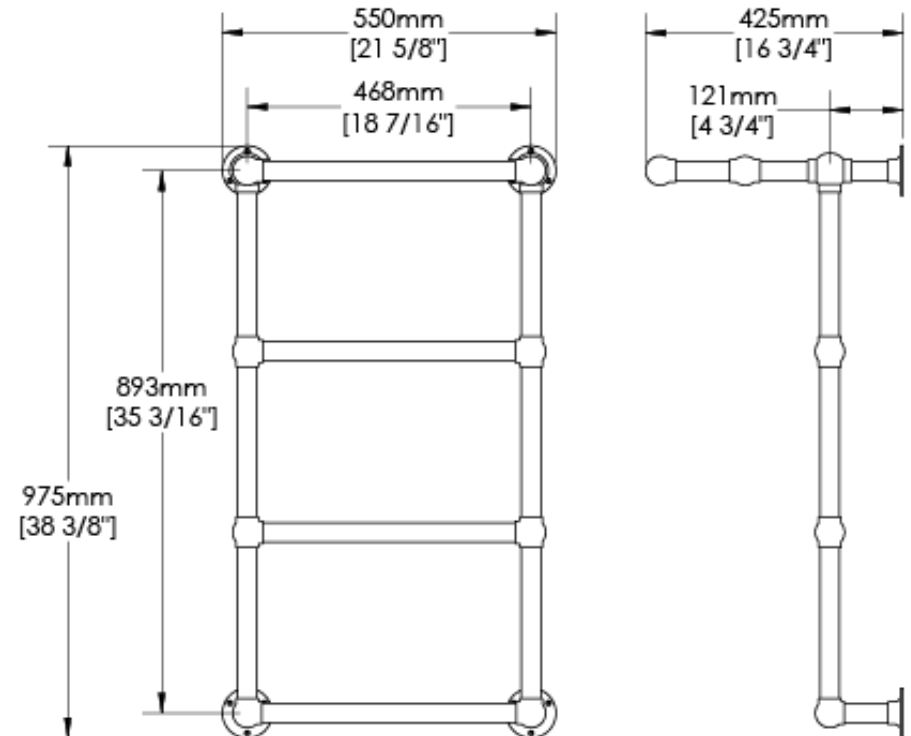
STYLE No. ETW106

Essentials Classic Multi-Rail Towel Warmer with Shelf

38 3/8" x 21 5/8" x 16 3/4"

## **TECHNICAL DETAILS:**

DETAIL	SPECIFICATION
DIAMETER OF TUBES	1 1/4" [32mm]
PRIMARY MATERIAL	Brass
WEIGHT	21lbs [9.5KG]
APPROXIMATE POWER OUTPUT	116W
IP RATING	IP67
APPROXIMATE TEMPERATURE (AT NORMAL ROOM TEMP)	110-130 °F [45-55°C]
STANDARD POWER CABLE LENGTH	8 Ft [2.4m]
VOLTAGE	110V
APPROXIMATE CURRENT	1.05A

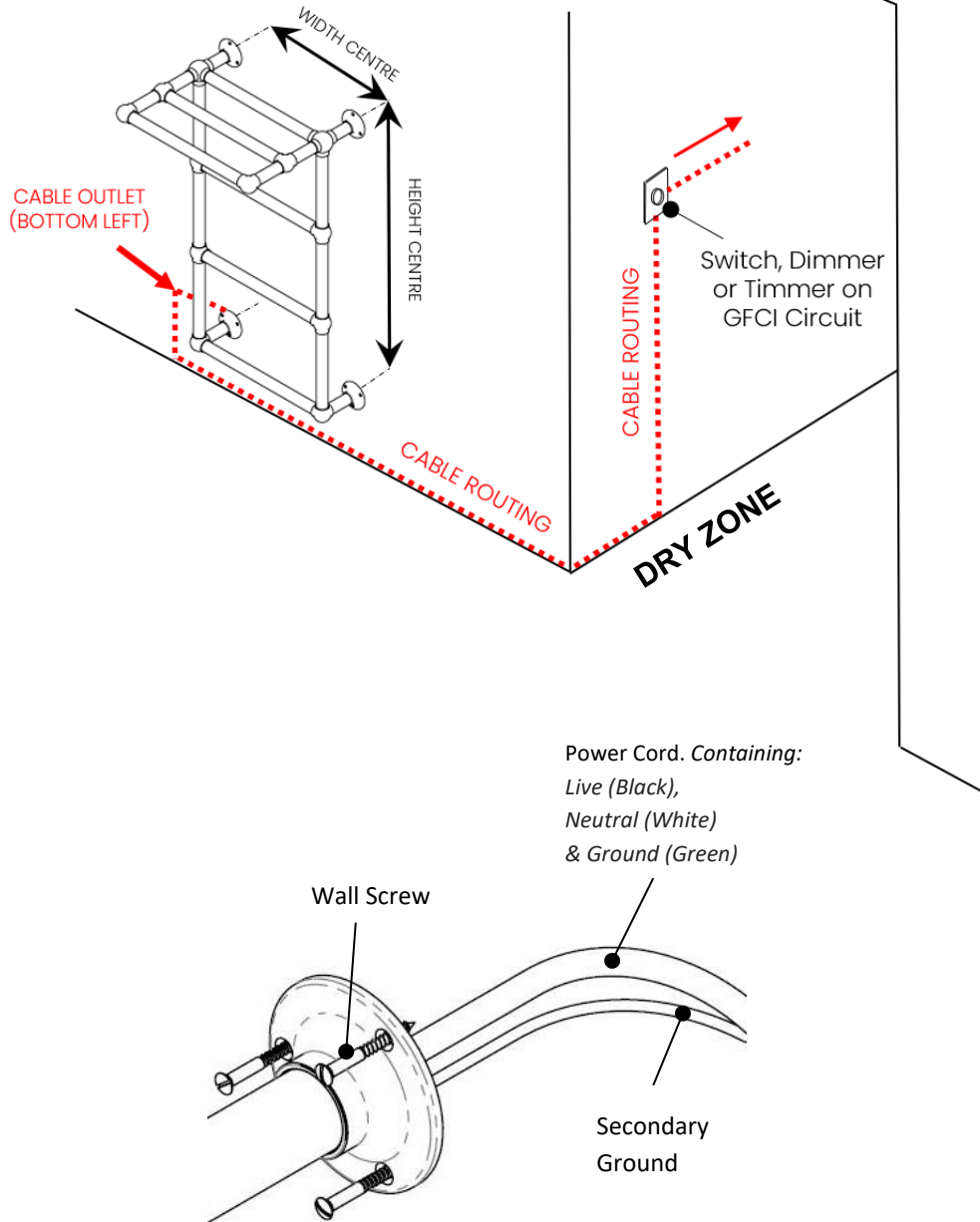


# WATERWORKS INSTALLATION GUIDELINES

STYLE No. ETW106

Essentials Classic Multi-Rail Towel Warmer with Shelf

38 3/8" x 21 5/8" x 16 3/4"



## INSTALLATION:

1. Turn off power supply.
2. As supplied the towel warmer is IP67 rated and if installed in-line with these guidelines is suitable for all areas (wet and dry) of the bathroom.
3. Measure the center distances of your towel warmer for the correct positioning.
4. Determine the desired positioning and ensure that the towel warmer can be securely mounted based on the wall construction.
  - Dry-wall Installations: The towel warmer must be installed directly onto the wood framing studs or adequate wood blocking material.
  - Lath and Plaster Wall Installations: The towel warmer must be installed directly onto the vertical wood framing studs or adequate wood blocking material. Do NOT install onto the horizontal laths.
  - Solid Wall Installations: The towel warmer must be installed using the masonry anchors provided.
5. Hold the towel warmer onto the finished wall then mark and drill pilot-holes for the wall screws or masonry anchors provided.
6. Route the towel warmer power cable through the wall to the domestic power supply.
  - To maintain the IP67 protection, do NOT cut the supply cord short to make the connection to the power supply within a wet zone.
  - Feed the continuous cable through the wall cavity to make the connection at the controller or junction box inside a dry zone unless measures are taken to keep the connections free from moisture.
  - The cable should be run through a suitable conduit that complies with local and national code requirements (cable should not be hard plastered into the wall). If a cable needs to be prepared before receiving the towel warmer (first fix) then a tracer/ dummy cable should be in place to then pull the hardwired towel warmer cable through when installing. Avoid aggressively pulling the power cable during installation as this can damage the element inside.
7. After feeding the supply and ground cord through the wall, secure the towel warmer with the wall screws. CARE SHOULD BE TAKEN not to scratch the towel warmer with the screwdriver.
8. Commence making the electrical connections. Recommended to be protect by a GFCI circuit, refer to local and national code requirements.
  - The towel warmers are low-powered devices that will reach an approximate surface temperature of 110-130°F, however the temperatures can vary depending on ambient room temperatures and location of the product. In most cases, they do not need to be altered from the default temperature and can be wired directly to an appropriately rated switch which is protected by an GFCI circuit.
  - If temperature control is still needed, a leading-edge dimmer switch is recommended. Although other manufacturers timers / smart home systems can also be installed in conjunction with the towel warmer if compatible (refer to suppliers' documentation). As the towel warmer is not a room heater, thermostats are not required.
9. Test by turning on the power and check temperature after 1 hour.