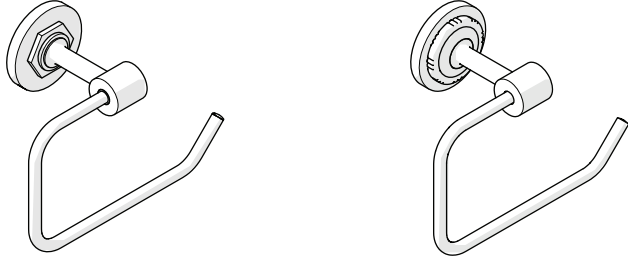


INSTALLATION GUIDELINES

WALL MOUNTED ACCESSORIES



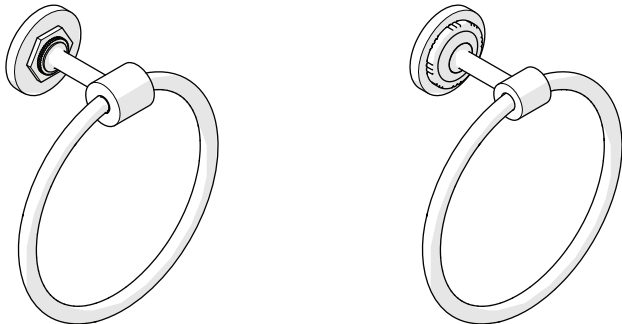
HENRY & HENRY CHRONOS SWING ARM PAPER HOLDER

STYLES	
HNP01	CNP01



HENRY & HENRY CHRONOS SINGLE HOOK

STYLES	
HNR01	CNR01



HENRY & HENRY CHRONOS 6 1/2" TOWEL RING

STYLES	
HNT01	CNT01

IMPORTANT:

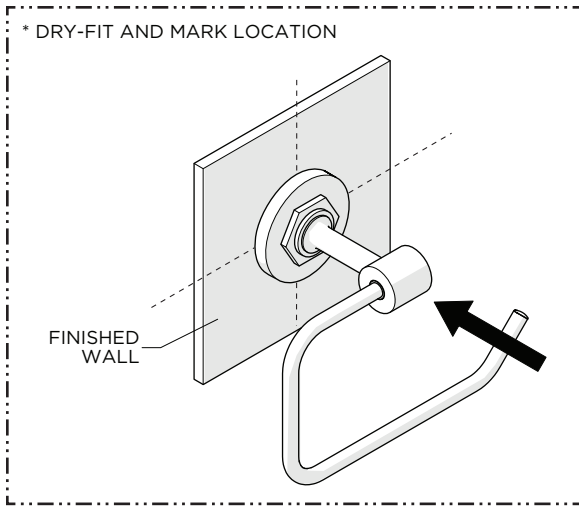
- To ensure this product is installed properly, you must read and follow these guidelines.
- The owner/user of this product must keep this information for future reference.
- This product must be installed by a professional licensed contractor. Inspect this product to ensure you have all the parts required for proper installation.
- DRYWALL ANCHORS for a typical drywall installation are provided. Do **NOT** use the ANCHORS if mounting directly onto wood blocking or a stud.
- If further assistance is required, please contact Product Support at 1-800-927-2120 Monday through Friday, 8am - 6pm EST.

TECHNICAL DETAILS:

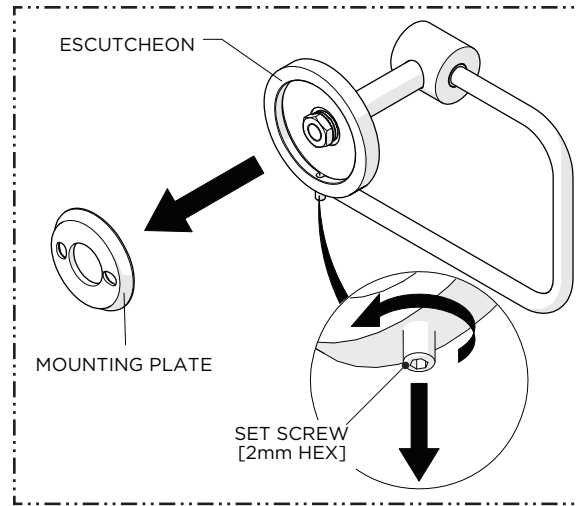
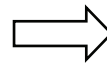
DETAIL	SPECIFICATION
PRIMARY MATERIAL	BRASS

INSTALLATION GUIDELINES

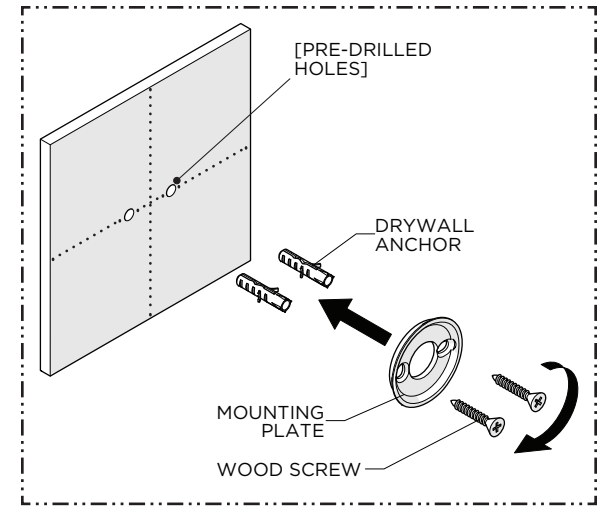
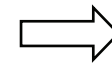
WALL MOUNTED ACCESSORIES



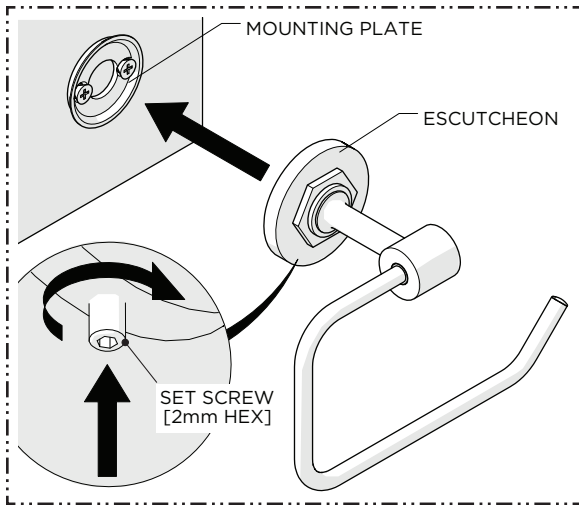
1. Dry-fit the product to the finished wall and mark the ideal location for installation.



2. Loosen, but do **NOT** remove, the SET SCREW on the bottom of the ESCUTCHEON using a 2mm HEX KEY then remove the MOUNTING PLATE.



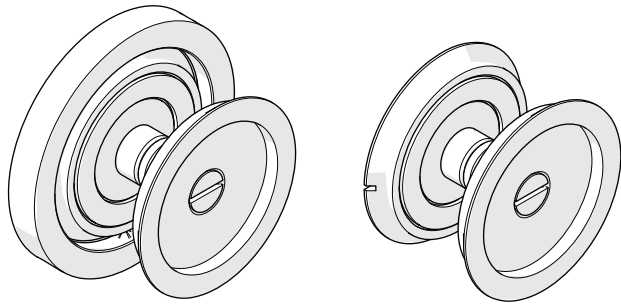
3. Using the previous marks as a reference, install the MOUNTING PLATE using the SCREWS and ANCHORS provided.



4. Place the product over the MOUNTING PLATE and securely tighten the SET SCREW.

INSTALLATION GUIDELINES

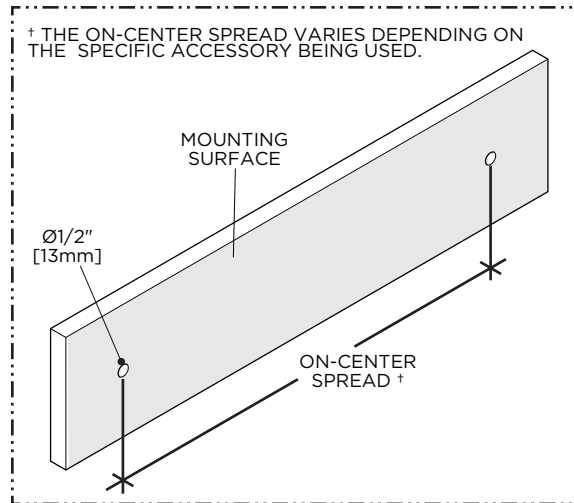
UNIVERSAL SINGLE OR DOUBLE SIDED GLASS MOUNT ADAPTER



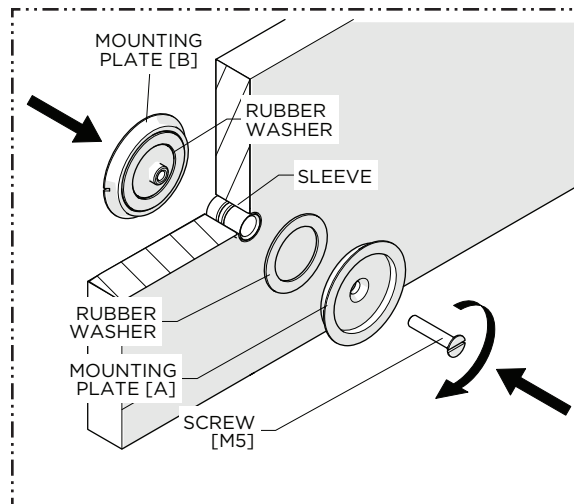
STYLES	
100725	100726

IMPORTANT:

- To ensure this product is installed properly, you must read and follow these guidelines.
- The owner/user of this product must keep this information for future reference.
- This product must be installed by a professional licensed contractor.
- This product can be installed on glass that is 1/4" [6mm], 3/8" [10mm], 1/2" [13mm], or 3/4" [19mm] thick.
- This product requires a 1/2" [13mm] hole for proper installation. If using this product with a TOWEL BAR or SHELF, verify the on-center spread of the specific product being used **before** drilling the 1/2" [13mm] holes.
- To avoid damaging the product, do NOT use power tools during installation.
- If further assistance is required, please contact Product Support at 1-800-927-2120 Monday through Friday, 8am - 6pm EST.



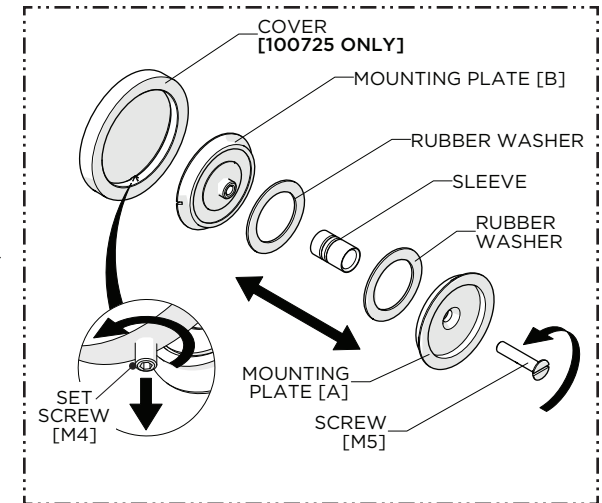
1. Ensure any pre-drilled hole is a 1/2" [13mm]. For ACCESSORIES with 2 mounting holes, ensure the holes are level and at the proper on-center spread.



3. Insert the SLEEVE into the pre-drilled hole then reassemble the ADAPTER using the SCREW provided.

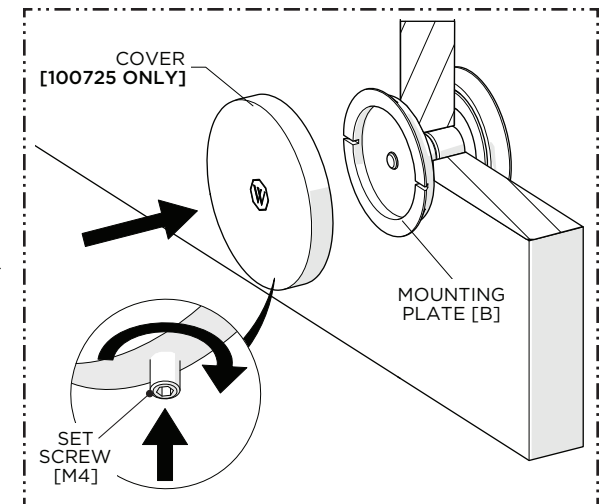
NOTE: The SLEEVE can be cut and two SCREWS [M5] are provided to accommodate different glass thicknesses.

WATERWORKS



2. Disassemble the components by unthreading the SCREW on the MOUNTING PLATE [A].

NOTE: Remove the COVER used on style number 100725 by loosening the SET SCREW.



4. If used, reattach the COVER.

➤ **FINISH THE INSTALLATION FOLLOWING THE GUIDELINES PROVIDED WITH THE ACCESSORY BEING USED. THE MOUNTING PLATE(S) PROVIDED WITH THE ACCESSORY CAN BE DISCARDED.**