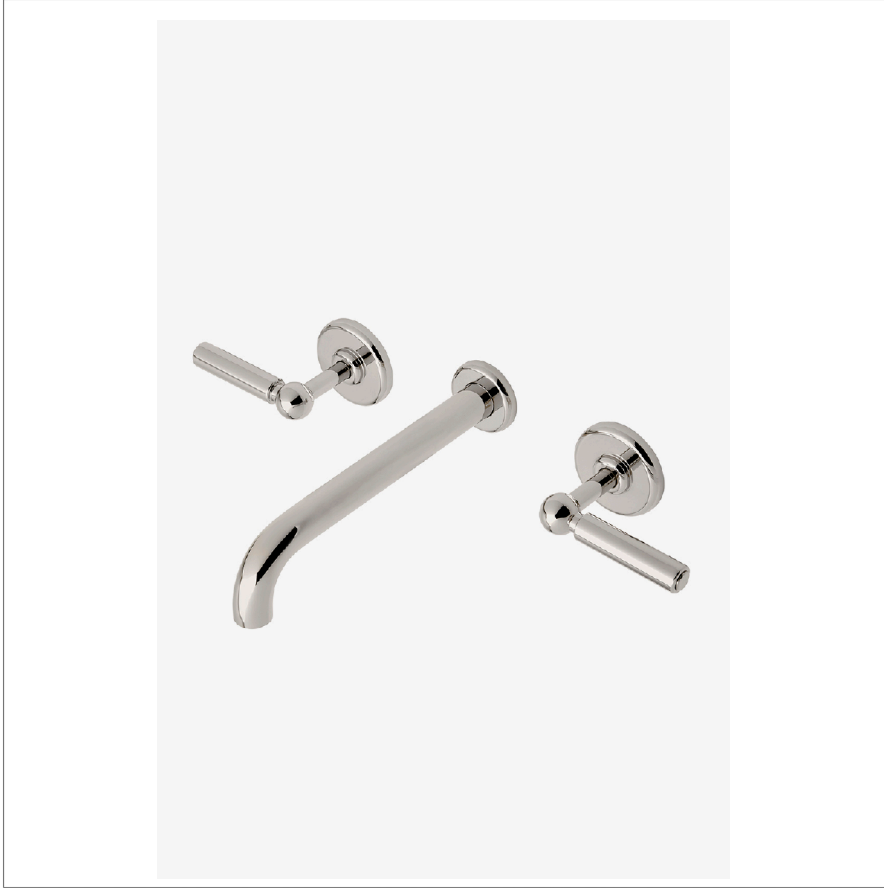


LUDLOW

LDLS75

Ludlow Volta Wall Mounted Lavatory Faucet with Lever Handles



SHOWN IN LUDLOW VOLTA WALL MOUNTED LAVATORY FAUCET WITH LEVER HANDLES | LDLS75

TECHNICAL DETAILS

ADA Compliance: Yes
 Drain Depth Maximum: 2"
 Drain Depth Minimum: 0.38"
 Drain Hole Diameter: 1 1/2"
 Drain Style: USA Push Touch
 Fittings Hole Diameter: 1 3/8"
 Flow Restriction Options: 1.2
 Handle Spread Maximum: 8"
 Handle Spread Minimum: 8"
 Handle Turn Angle: Quarter Turn
 Inlet Connection Size: 1/2"
 Inlet Connection Type: Female NPT
 Inlet Supply Spread Maximum: 8"
 Inlet Supply Spread Minimum: 8"
 Number Of Holes: Three Hole
 Primary Material: Brass
 Restricted Maximum Flow Rate: 1.2 gpm
 Water Pressure Maximum: 85.0 psi
 Water Pressure Minimum: 20.0 psi
 Water Pressure Recommended: 45.0 psi

INSPIRATION

Our fresh take on American industrial design comes in three styles, each of them clean-lined, and distinct to Waterworks.

CODES & STANDARDS

LDLS75X, NSF/ANSI/CAN 61:Q < 1, NSF/ANSI/CAN 372, ASME A112.18.1/CSA B125.1, CEC, State of MA

PRODUCT FEATURES

Lever Handles

Includes a Universal Push Touch Drain sized to fit US and Euro sink drain openings.

Requires Rough Valve, sold separately: GULV25 or GULV27. BSPP Threaded Adapter included for International Plumbing Installations.

Stocked in a Chrome, Nickel and Brass

Available in 1.2gpm (4.5L/min) flow rate

CERTIFICATIONS



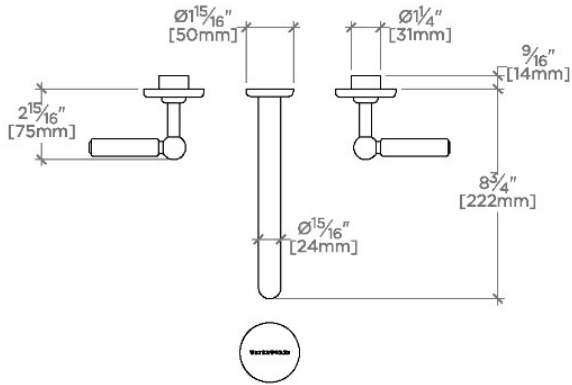
PRODUCT (NOTES)

WATERWORKS

LUDLOW

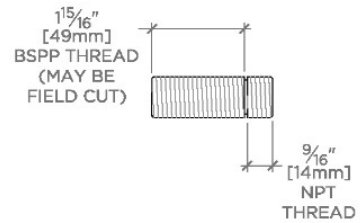
LDLS75

Ludlow Volta Wall Mounted Lavatory Faucet with Lever Handles

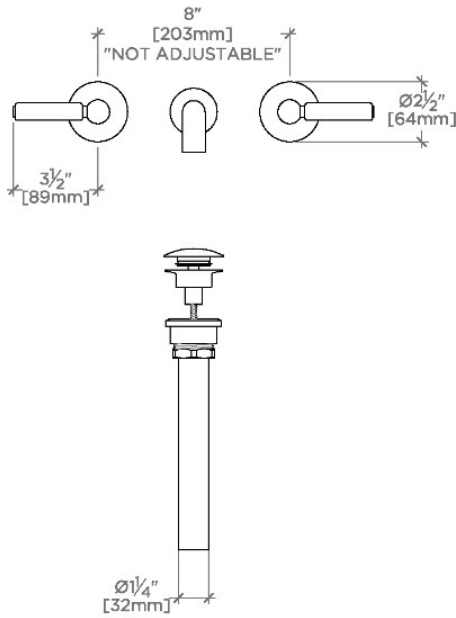


TOP VIEW

SCALE: 1/2"=1'-0"

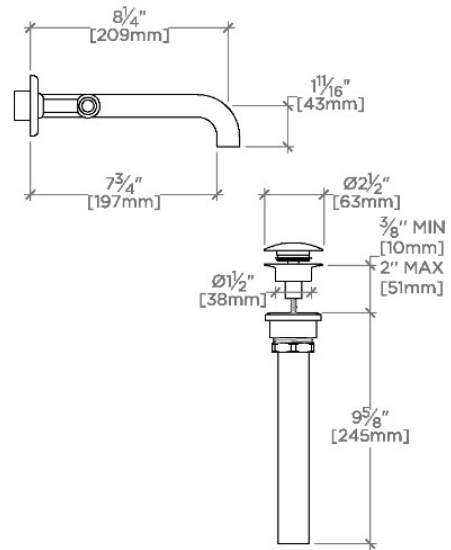


ADAPTER INCLUDED - INTERNATIONAL USE ONLY



FRONT VIEW

SCALE: 1/2"=1'-0"



SIDE VIEW

SCALE: 1/2"=1'-0"