

## LUDLOW

Ludlow Shinola Edition Lavatory Faucet with Two-Tone Lever Handles

LDSELS



### TECHNICAL DETAILS

Deck Thickness Maximum: 49 mm  
Deck Thickness Minimum: 10 mm  
Escutcheon Primary Material: Brass  
Fittings Hole Diameter: 32 mm  
Flow Restriction Options: 1.0 , 1.2 , 1.5 , 1.75, 2.2  
Handle Spread Maximum: 305 mm  
Handle Spread Minimum: 203 mm  
Handle Turn Angle: Quarter Turn  
Depth / Width: 189 mm  
Height: 84 mm  
Inlet Connection Size: 1/2"  
Inlet Connection Type: Male with Supply Nut  
Inlet Supply Spread Maximum: 305 mm  
Inlet Supply Spread Minimum: 203 mm  
Length: 381 mm  
Number of Holes: Three Hole  
Primary Material: Brass  
Spout Swivel: N  
Suggested Application: Bath  
Valve Material: Ceramic  
Water Pressure Maximum: 6.0 bar  
Water Pressure Minimum: 1.5 bar  
Water Pressure Recommended: 3.0 bar

### INSPIRATION

A touch of classic Americana. Our fresh take on iconic industrial design has clean lines and dimensional details.

### PRODUCT FEATURES

Push touch USA style drain included.

This Item is stocked in Nickel/Shinola Steel

Lever Handles

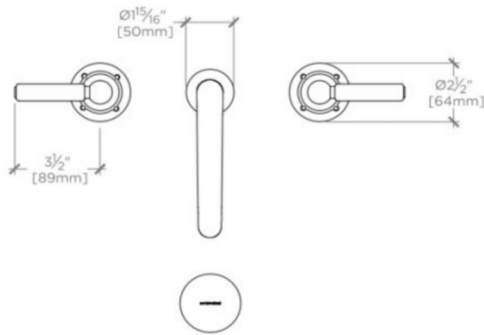
Standard flow rate is 1.2gpm (4.5 L/min) and meets State of California requirements. Also available in other flow options. Contact a sales associate for details.

# WATERWORKS

## LUDLOW

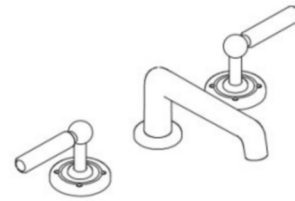
## LDSELS

Ludlow Shinola Edition Lavatory Faucet with Two-Tone Lever Handles



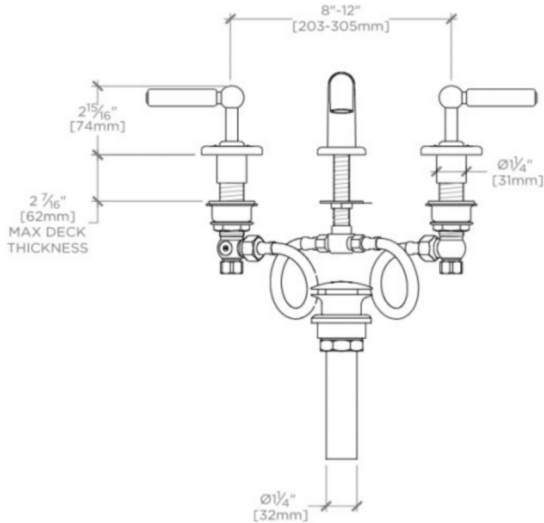
TOP VIEW

SCALE:  $1\frac{1}{2}$ "=1'-0"



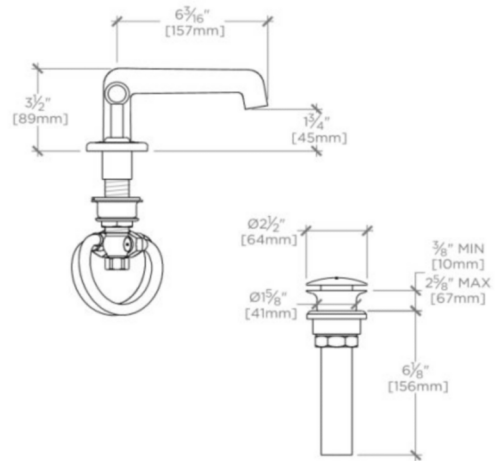
ISO VIEW

SCALE:  $1\frac{1}{2}$ "=1'-0"



FRONT VIEW

SCALE:  $1\frac{1}{2}$ "=1'-0"



SIDE VIEW

SCALE:  $1\frac{1}{2}$ "=1'-0"