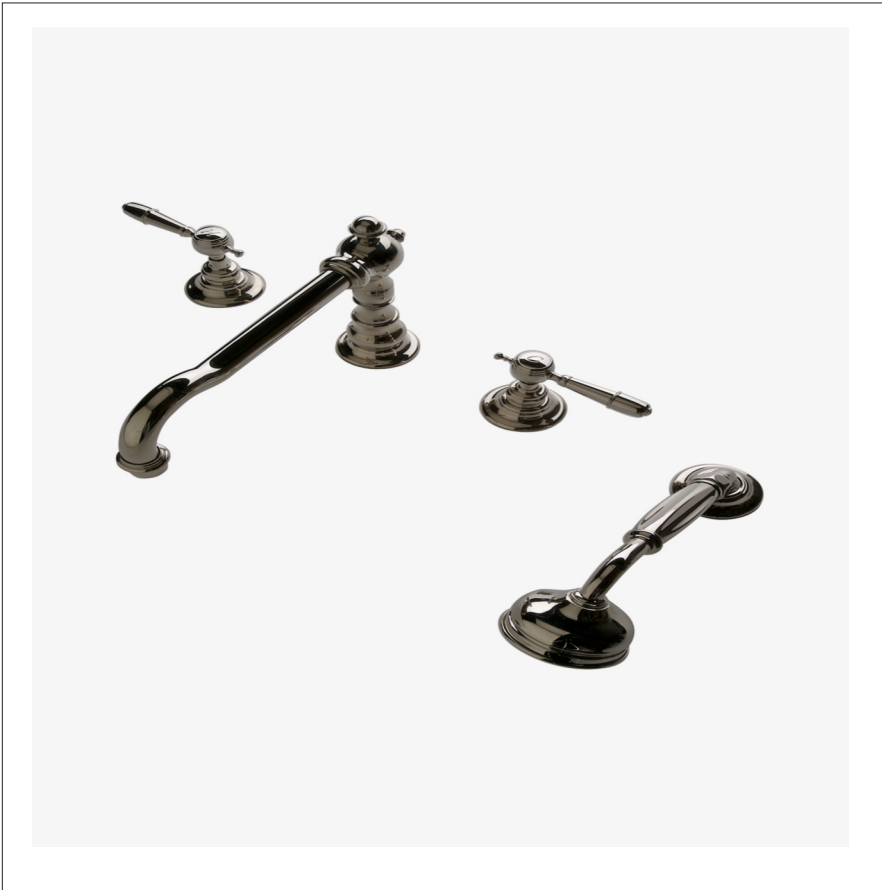


JULIA

JU20TF

Julia Deck Mounted High Profile Concealed Tub Filler with Metal Handshower and Metal Lever Handles



SHOWN IN JULIA HIGH PROFILE CONCEALED TUB FILLER WITH METAL HANDSHOWER AND METAL LEVER HANDLES| JUTF20

TECHNICAL DETAILS

ADA Compliance: Yes
 Adjustable versus Fixed Spray: Fixed Spray
 Deck Thickness Maximum: 48 mm
 Deck Thickness Minimum: 0 mm
 Diameter of Head: 71 mm
 Escutcheon Primary Material: Brass
 Fittings Hole Diameter: 38 mm
 Flow Restriction Options: 2.0, 1.75, 1.5, 0.92
 Handle Spread Maximum: 305 mm
 Handle Spread Minimum: 254 mm
 Handle Turn Angle: Quarter Turn
 Handshower / Spray Hose Length: 2.0 m
 Index Color / Finish and Material: Architectural Bronze
 Depth / Width: 286 mm
 Height: 194 mm
 Index Marking: H/C
 Inlet Connection Size: 3/4"
 Inlet Connection Type: Male G/BSPP
 Inlet Supply Spread Maximum: 305 mm
 Inlet Supply Spread Minimum: 254 mm
 Installation Type: Deck Mounted
 Integrated Diverter: N
 Length: 508 mm
 Number of Handles: Two
 Number of Holes: Four Hole
 Pivot: N
 Primary Material: Brass
 Restricted Maximum Flow Rate: 9.5 liters/min
 Spout Reach: 9 1/4"
 Spout Swivel: N
 Suggested Application: Bath
 Valve Material: Ceramic
 Water Pressure Maximum: 5.5 bar
 Water Pressure Minimum: 1.5 bar
 Water Pressure Recommended: 3.0 bar

INSPIRATION

An interpretation of 1920s French country, Julia speaks to decoration and intricate design displayed through beautifully composed turnings. These details embody the robust, signature high profile spout enabling Julia to transition fluidly from informal to formal environments.

PRODUCT FEATURES

Features signature detail of the graceful, high profile swivel spout.
 A handshower adds a degree of comfort, making it easy to rinse the bath or even a pet.
 Lever handle features a metal index and optional handle materials including porcelain, wood, crystal, and semi-precious stones.
 Standard flow rate is 2.5gpm for handshower only. Also available in high efficiency flow options.
 Contact your sales associate or call 1 (800) 899-6757 for details.

CODES & STANDARDS

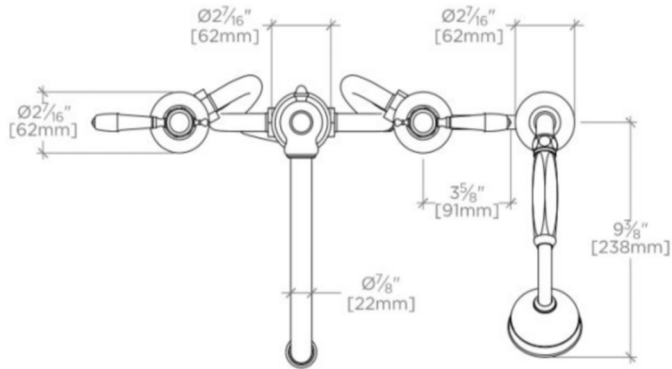
Code # : ASME A112.18.1 / CSA B125.1

WATERWORKS

JULIA

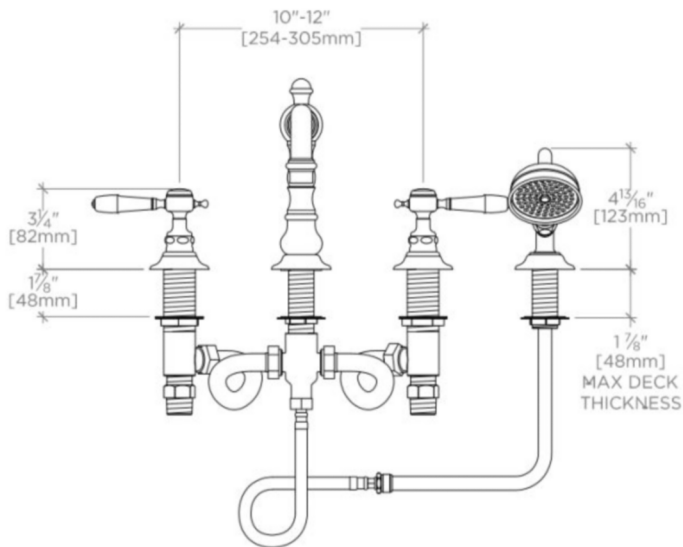
JU20TF

Julia Deck Mounted High Profile Concealed Tub Filler with Metal Handshower and Metal Lever Handles



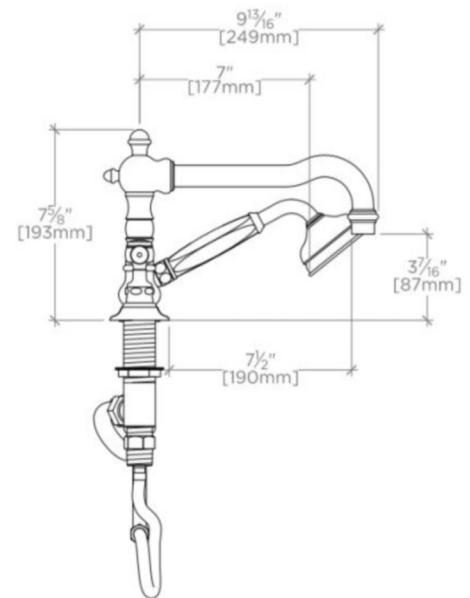
TOP VIEW

SCALE: 1 1/2"=1'-0"



FRONT VIEW

SCALE: 1 1/2"=1'-0"



SIDE VIEW

SCALE: 1 1/2"=1'-0"