

HIGHGATE

Highgate Handshower On Hook

HGHS01



SHOWN IN HIGHGATE HANDSHOWER ON HOOK | HGHS01

TECHNICAL DETAILS

ADA Compliance: When installed per ADA guidelines
 Adjustable Versus Fixed Spray: Fixed Spray
 Depth/Width: 9"
 Diameter Of Head: 2 3/4"
 Escutcheon Primary Material: Brass
 Fittings Hole Diameter: 1 1/4"
 Flow Restriction Options: 1.75
 Handshower Spray Hose Length: 59"
 Height: 3 1/4"
 Inlet Connection Size: 1/2"
 Inlet Connection Type: Female NPT
 Installation Type: Wall Mounted
 Integrated Diverter: N
 Length: 2 3/8"
 Pivot: N
 Primary Material: Brass
 Suggested Application: Bath
 Water Pressure Maximum: 85.0 psi
 Water Pressure Minimum: 20.0 psi
 Water Pressure Recommended: 45.0 psi

INSPIRATION

Our take on old English style: simple, functional shapes, detailed with white porcelain indices and hexagonal accents for a timeless feel.

CODES & STANDARDS

HGHS01X, HGHS01X, ASME A112.18.1/CSA B125.1, Waterworks Handshowers use check valves compliant to ASME A112.18.3 for backflow protection. CEC, State of MA

PRODUCT FEATURES

2 3/4" Head

Features a Fixed Spray Pattern

Features white porcelain

Stocked in Chrome, Nickel and Brass

Available in 1.75gpm (6.6L/min) flow rate

CERTIFICATIONS

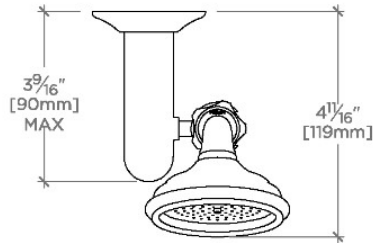


PRODUCT (NOTES)

HIGHGATE

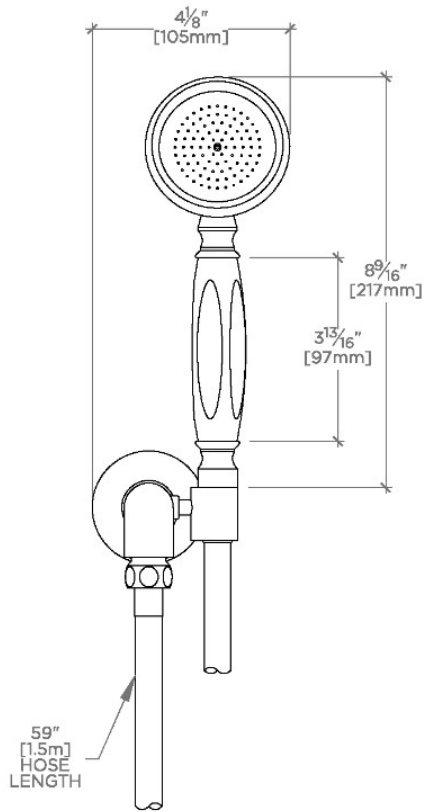
HGHS01

Highgate Handshower On Hook



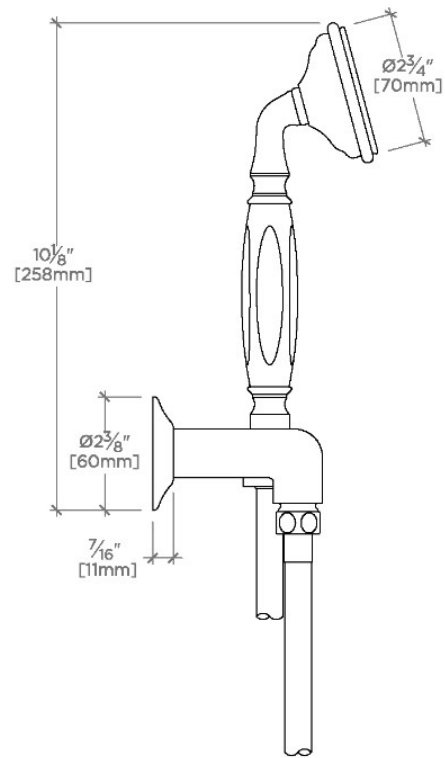
TOP VIEW

SCALE: 3"=1'-0"



FRONT VIEW

SCALE: 3"=1'-0"



SIDE VIEW

SCALE: 3"=1'-0"