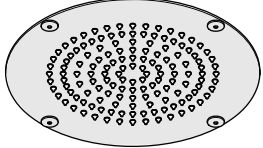
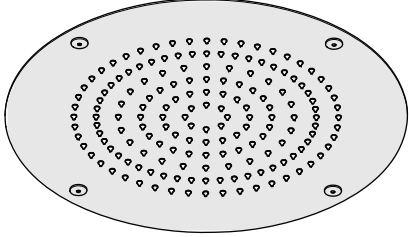
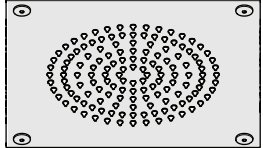
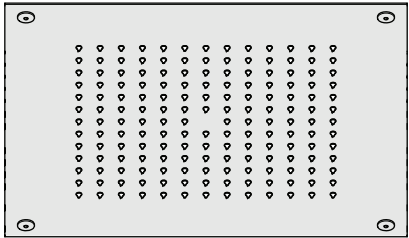


WATERWORKS

INSTALLATION GUIDELINES

STYLE No. USHR10, USHR15, USHS10, USHS15
 Universal Recessed Rain Showerhead

	STYLE	DESCRIPTION
	USHR10	Universal Recessed 10" Round Rain Showerhead with Circular Spray Pattern
	USHR15	Universal Recessed 15" Round Rain Showerhead with Circular Spray Pattern
	USHS10	Universal Recessed 10" Square Rain Showerhead with Circular Spray Pattern
	USHS15	Universal Recessed 15" Square Rain Showerhead with Square Spray Pattern

IMPORTANT:

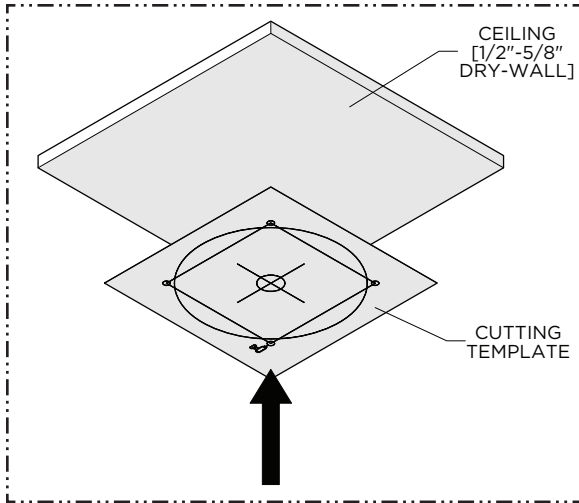
- **Prior to installation, verify the location of ceiling joists.**
- **A cutting template is provided with the SHOWERHEAD.**
- To ensure this product is installed properly, you must read and follow these guidelines.
- The owner/user of this product must keep this information for future reference.
- This product must be installed by a professional licensed contractor and must be onsite prior to rough-in. This allows the installer to visualize the installation.
- Be sure your installation conforms to all federal, state, and local codes. In the State of Massachusetts, all installations must comply with the rules and regulations set forth within 248 CMR.
- This product is sold partially assembled but shown fully disassembled for illustrative and service purposes only.
- Inspect this product to ensure you have all the parts required for proper installation.
- Use only a strap wrench or protected/smooth-jaw wrench on any finished surface.
- The use of certain plumber's putty may stain stone or tile surfaces.
- If further assistance is required, please contact Product Support at 1-800-927-2120 Monday through Friday, 8am - 6pm EST.
- For use with VALVES rated at 1.3gpm [4.9L/min] or higher.
- Refer to the separate Service Parts Documents for available replacement parts.

TECHNICAL DETAILS:

INLET CONNECTION	1/2" FEMALE HOSE CONNECTION
INTEGRATED DIVERTER	NO
PIVOT	NO
WATER PRESSURE RANGE	20psi [1.5 bar] MIN 85psi [6.0 bar] MAX
WATER PRESSURE RECOMMENDED	45psi [3.0 bar]

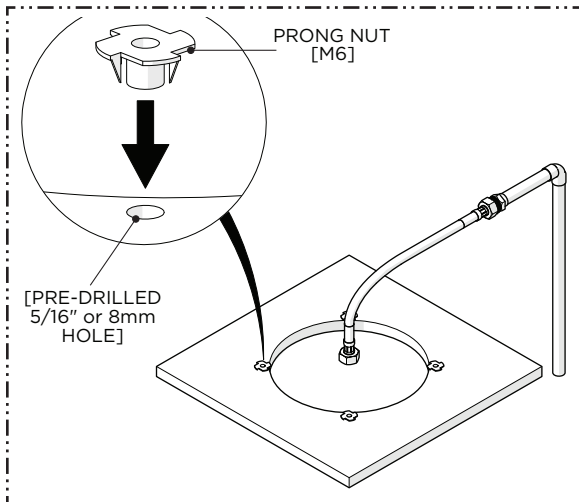
WATERWORKS INSTALLATION GUIDELINES

STYLE No. USHR10, USHR15, USHS10, USHS15
Universal Recessed Rain Showerhead

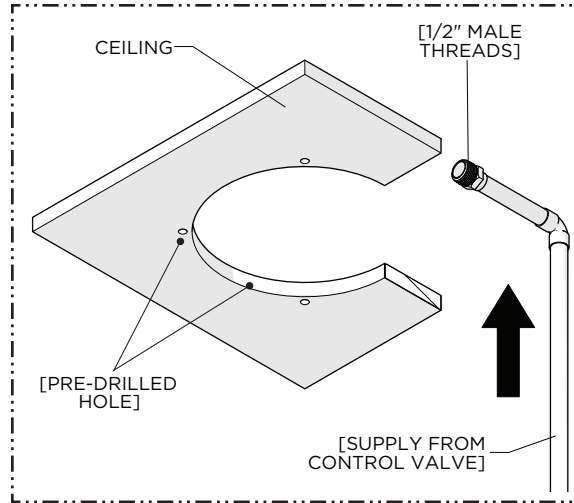


1. Determine the ideal location for the SHOWERHEAD and use the cutting TEMPLATE to mark and cut the required holes.

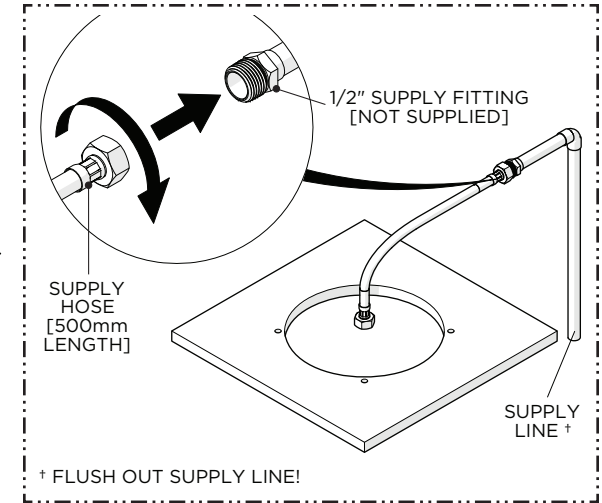
NOTE: The ideal location for the SHOWERHEAD is between 2 ceiling joists and centered in the shower stall.



4. Insert the PRONG NUTS into the pre-drilled holes on the ceiling from above.

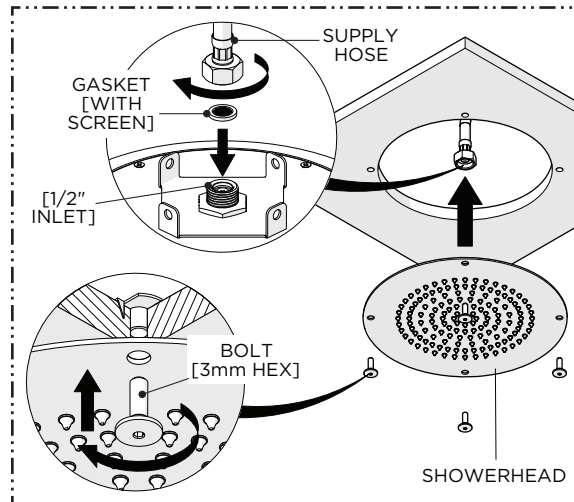


2. Run a well supported 1/2" supply line from the control valve (sold separately) to the ceiling above the desired SHOWERHEAD location.



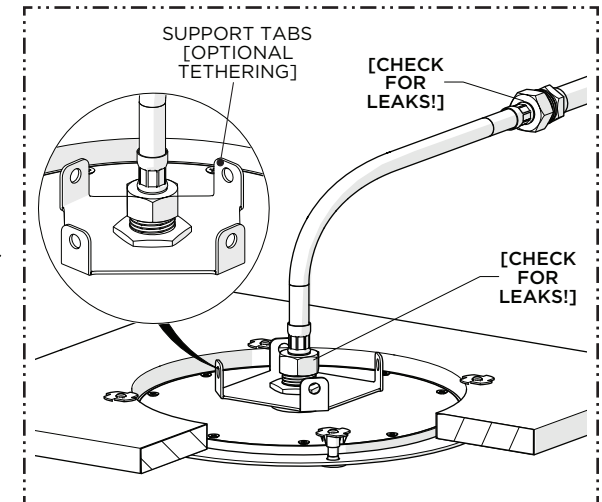
3. Thread the SUPPLY HOSE onto the 1/2" supply fitting until snug.

NOTE: It is recommended to flush the supply line prior to installing the SHOWERHEAD.



5. Thread the SUPPLY HOSE onto the SHOWERHEAD until snug then align the SHOWERHEAD with the pre-drilled holes and secure it using the BOLTS provided.

NOTE: Ensure the BOLTS properly thread into the PRONG NUTS and that the NUTS securely grip into the ceiling material.



6. Turn the water on and inspect all connections for leaks.

NOTE: If desired, the SHOWERHEAD can be tethered to blocking or other material using the SUPPORT TABS. A tether is not supplied.