

R.W. Atlas

RWLS60

R.W. Atlas Low Profile Three Hole Wall Mounted Lavatory Faucet with Metal Wheel Handles



SHOWN IN R.W. ATLAS LOW PROFILE THREE HOLE WALL MOUNTED LAVATORY FAUCET WITH METAL WHEEL HANDLES | RWLS60

TECHNICAL DETAILS

ADA Compliance: Yes
 Adjustable Versus Fixed Spray: Fixed Spray
 Depth/Width: 210 mm
 Drain Depth Maximum: 67 mm
 Drain Depth Minimum: 10 mm
 Drain Hole Diameter: 44 mm
 Escutcheon Primary Material: Brass
 Fittings Hole Diameter: 35 mm
 Handle Spread Maximum: 203 mm
 Handle Spread Minimum: 203 mm
 Handle Turn Angle: Quarter Turn
 Height: 68 mm
 Inlet Connection Size: 1/2"
 Inlet Connection Type: Female NPT
 Inlet Supply Spread Maximum: 203 mm
 Inlet Supply Spread Minimum: 203 mm
 Installation Type: Wall Mounted
 Integrated Diverter: N
 Integrated Spray: N
 Length: 270 mm
 Number Of Handles: Two
 Number Of Holes: Three Hole
 Primary Material: Brass
 Restricted Maximum Flow Rate: 4.5 liters/min
 Spout Swivel: N
 Spray Included In Unit: N
 Suggested Application: Bath
 Valve Material: Ceramic
 Water Pressure Maximum: 6.0 bar
 Water Pressure Minimum: 1.5 bar
 Water Pressure Recommended: 3.0 bar

INSPIRATION

Powerful shapes, genuine materials and unique aesthetic details. The original, impeccable vision of R.W. Atlas pairs American ingenuity with European craftsmanship.

CODES & STANDARDS

RWLS60X, NSF/ANSI/CAN 61:Q < 1, NSF/ANSI/CAN 372, ASME A112.18.1/CSA B125.1, CEC, State of MA

PRODUCT FEATURES

Features knurled detail on the handles.

Includes European push touch style drain.

Meets or exceeds the Weighted Average Lead Requirements of 0.25%.

Available in 1.2gpm (4.5L/min)

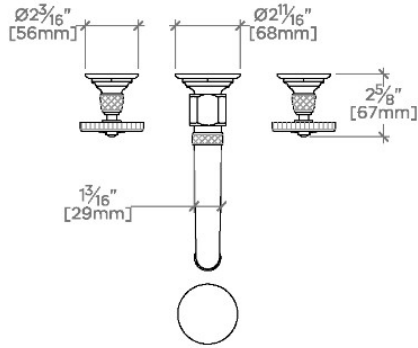
CERTIFICATIONS



PRODUCT (NOTES)

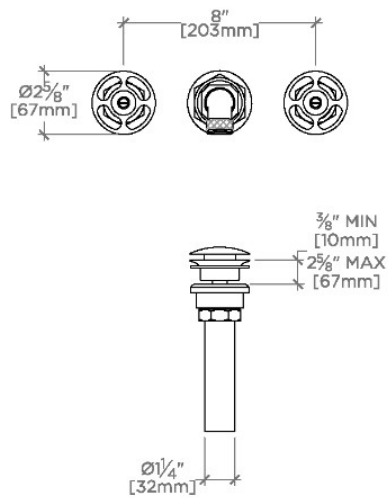
Requires Lavatory Wall Mounted Rough Valve - 26-21988-67977.

R.W. Atlas Low Profile Three Hole Wall Mounted Lavatory
Faucet with Metal Wheel Handles



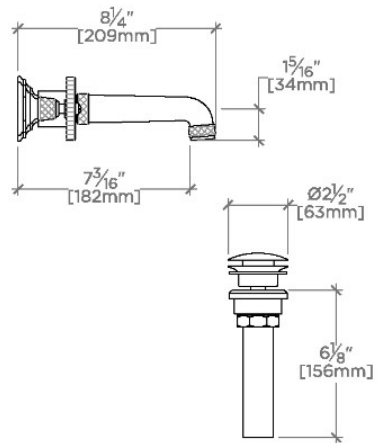
TOP VIEW

SCALE: 1½"=1'-0"



FRONT VIEW

SCALE: 1½"=1'-0"



SIDE VIEW

SCALE: 1½"=1'-0"